

Pinguely - Haulotte



Compact 12



F Pièces de rechange



GB Spare parts



D Ersatzteile



NL Onderdelen



DK Reservedele



E Piezas de repuesto



I Pezzi di ricambio



P Peças sobressalentes



S Reservdel



SF Varaosa

242 031 5520

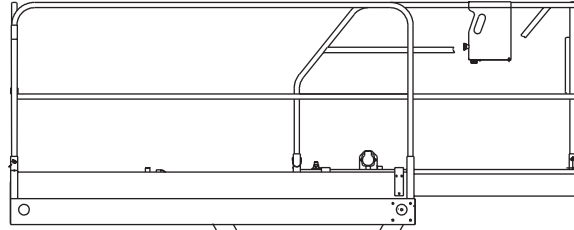
E 11.00

La Péronnière
BP 9
42152 L'HORME
FRANCE

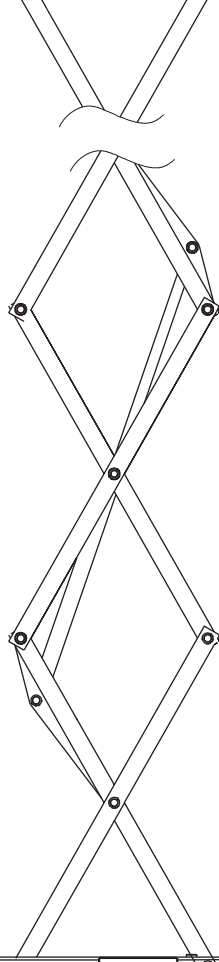
Téléphone : (33) 04 77 29 24 24
Fax SAV : (33) 04 77 31 28 11
Internet : <http://www.haulotte.com>
E-Mail : haulotte@haulotte.com



C



B



D



E

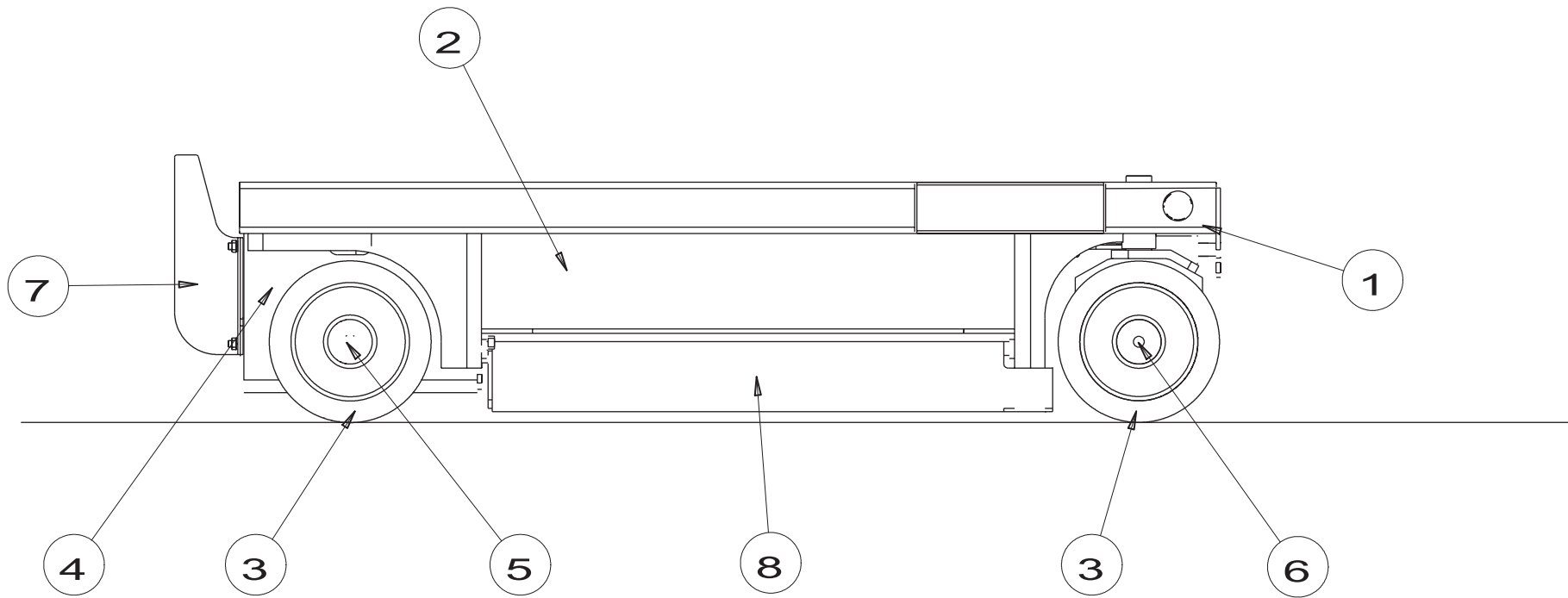


F

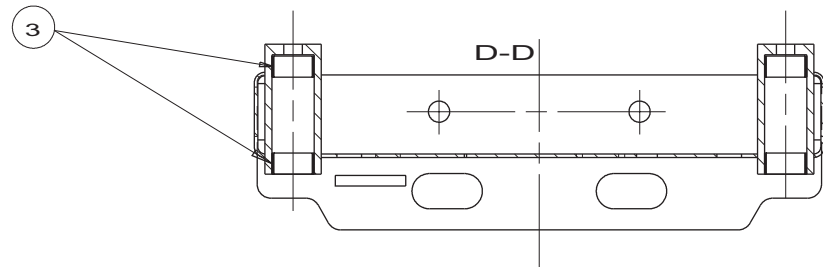
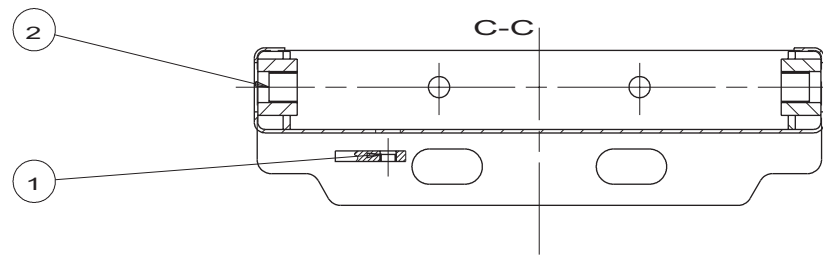
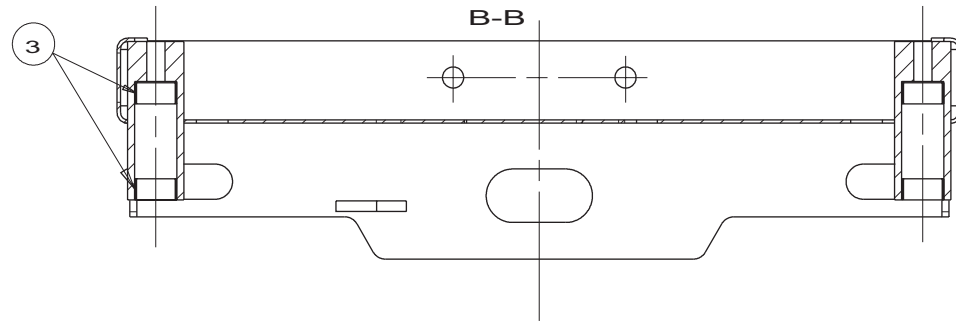
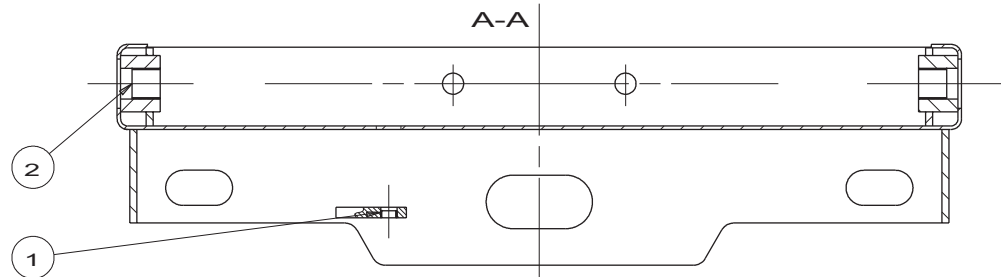
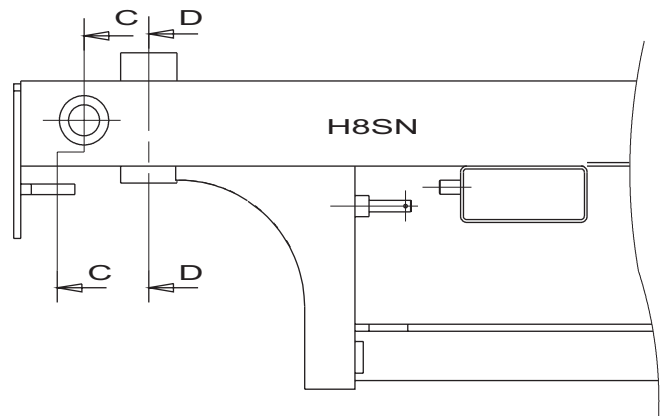
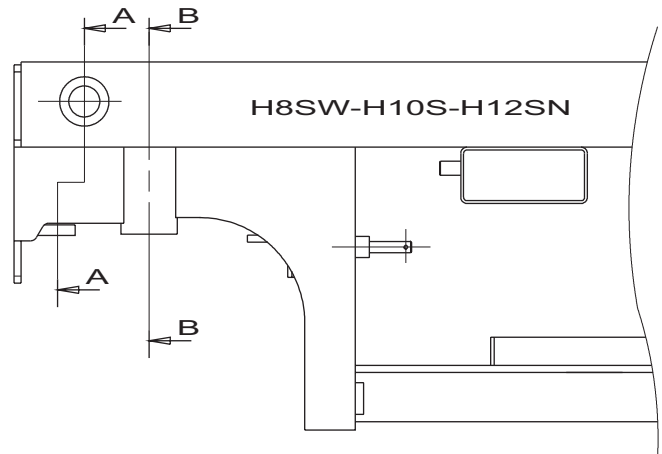
A



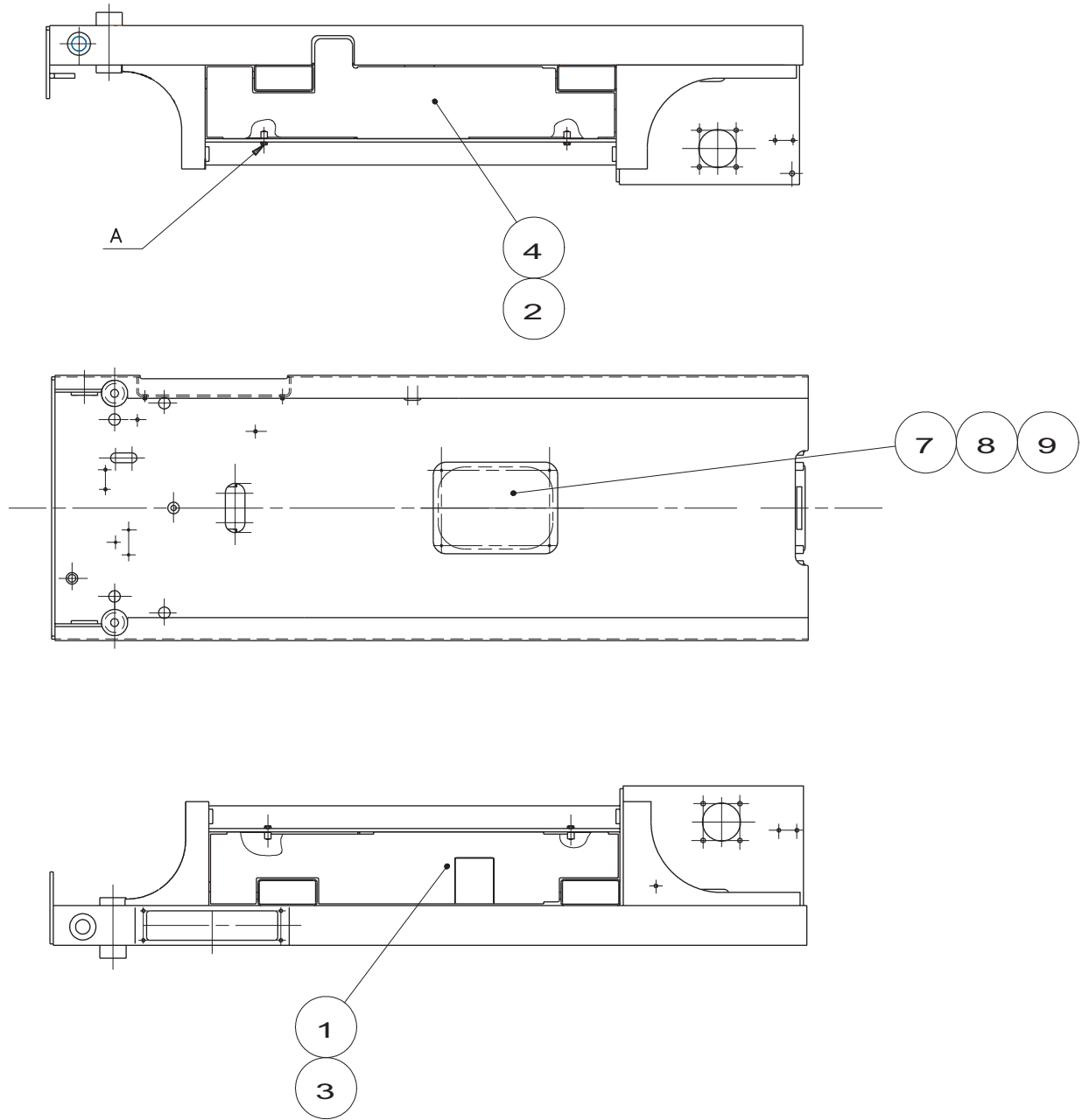
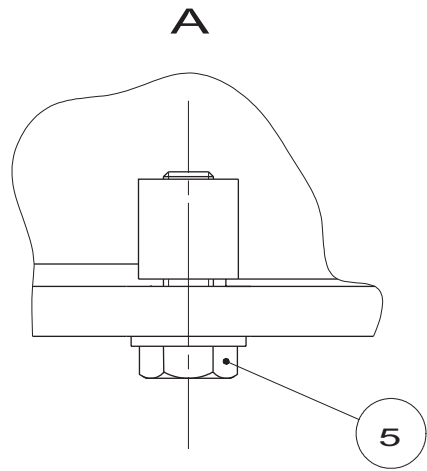
D16082



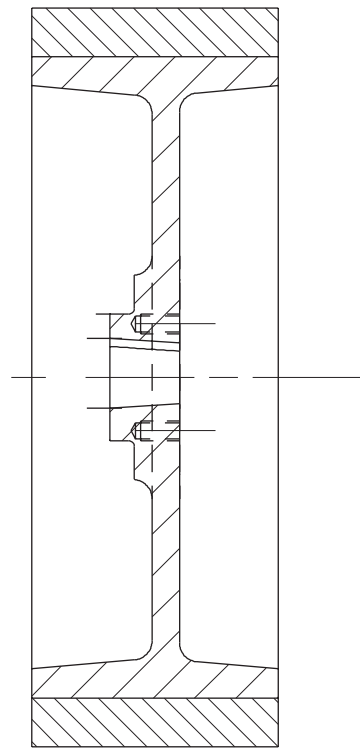
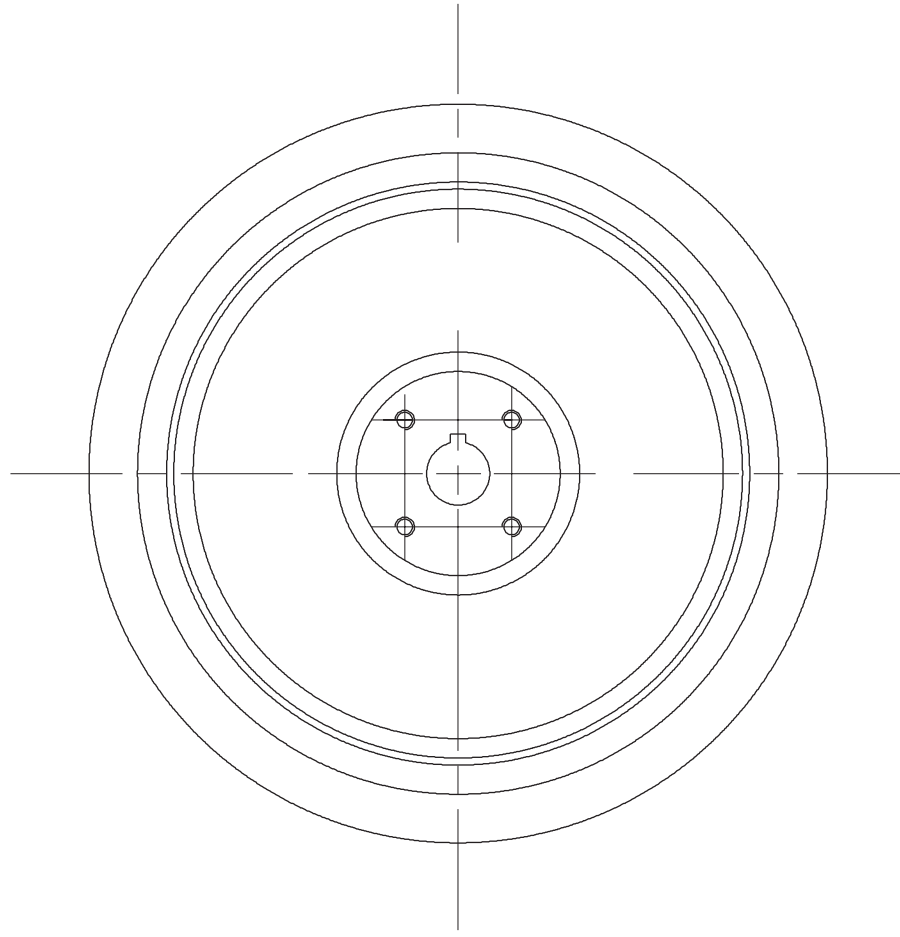
D16104



C15171

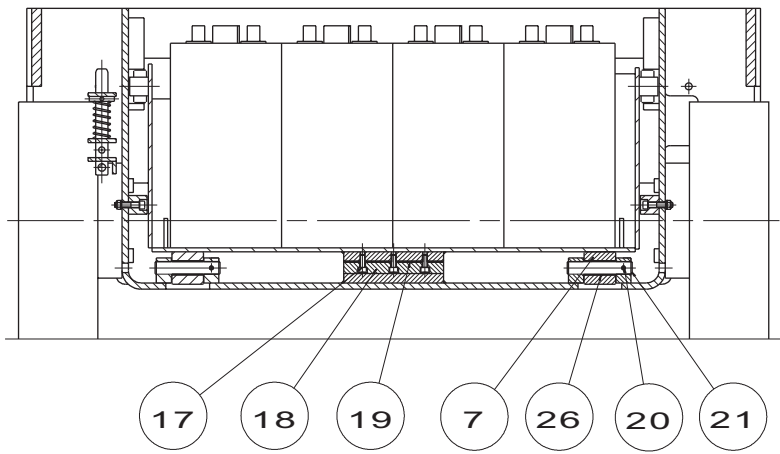


C15348

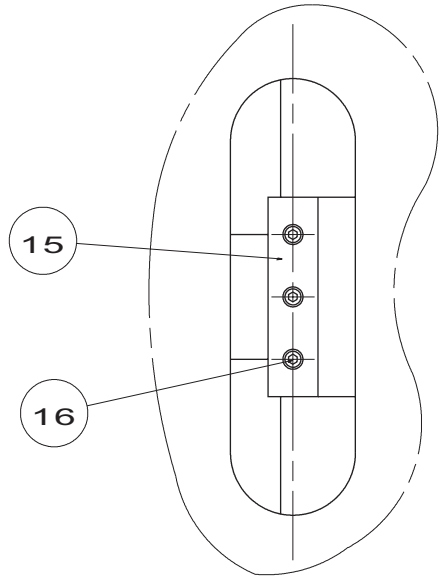


B15658

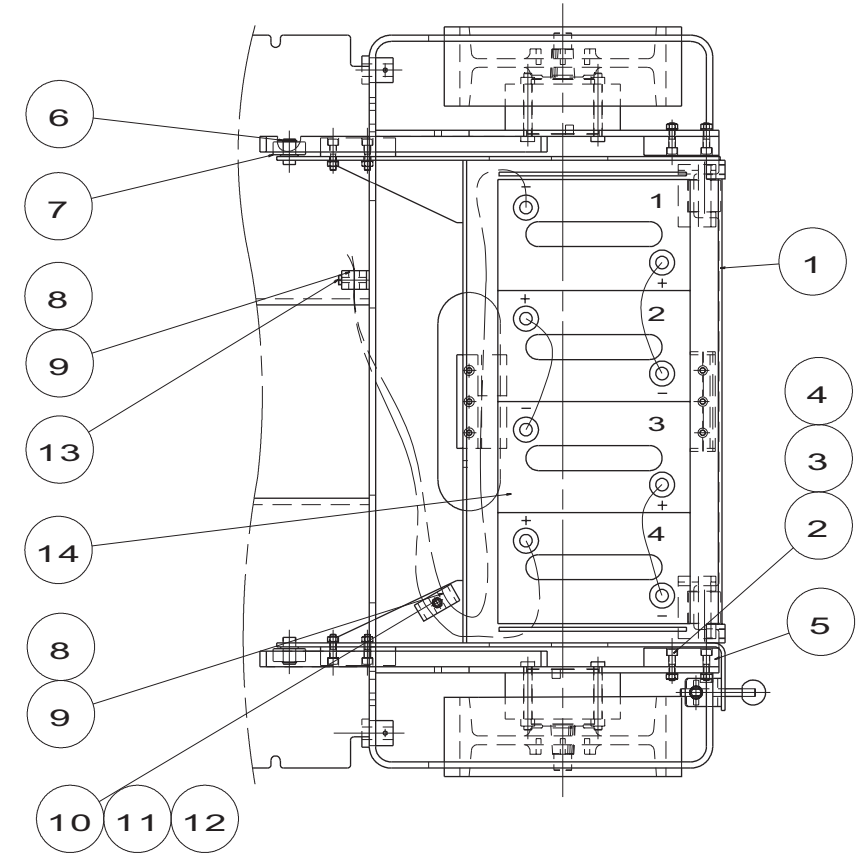
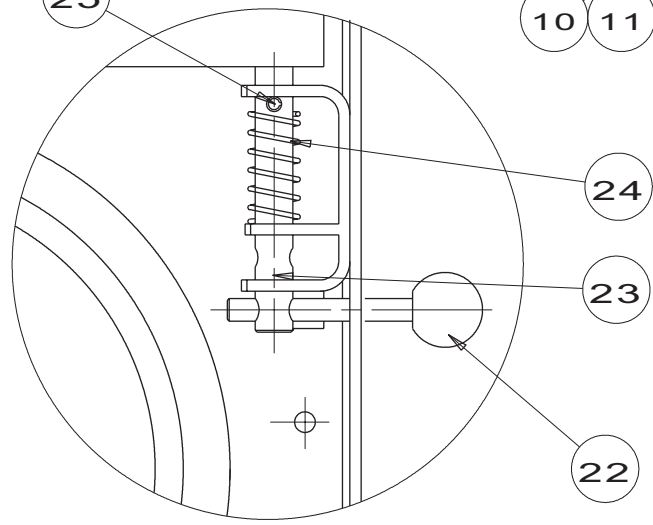
B-B



F



25



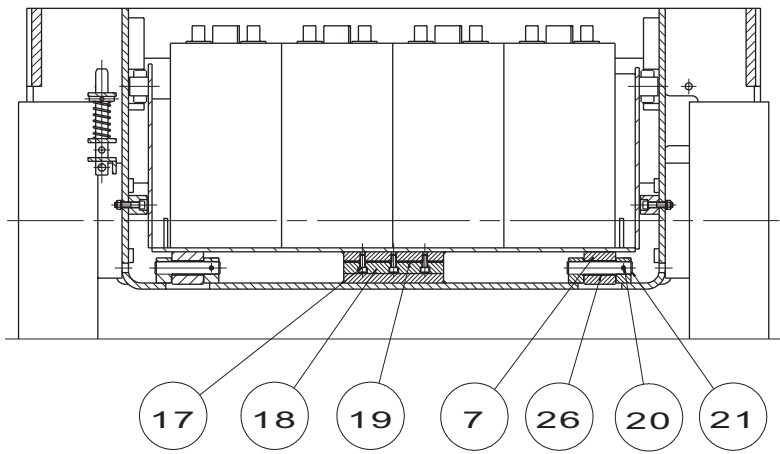
A14389

▲ **Coffre à batterie**
Battery box

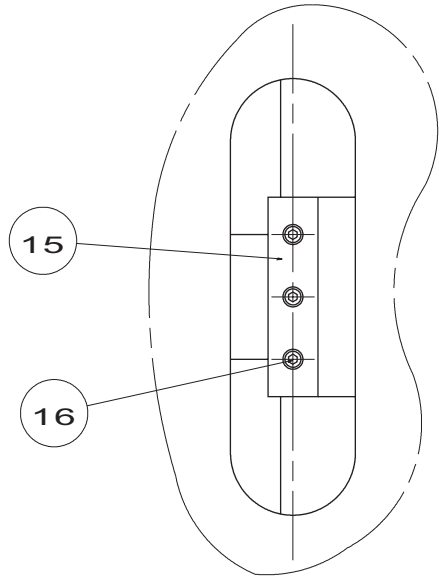
◀ **A4**
1/2 ▶

| Rep. | Désignation | Designation | Specification | Qty | Code | Up to / jusqu'à |
|------|----------------------|-------------------|---------------------------|-----|-------------------|-----------------|
| 1 | Coffre à batterie | Battery box | | 1 | 120B156700 | |
| 2 | Vis | Screw | CHC M10 X 40/26 CL 8.8 ZB | 8 | 2308231920 | |
| 3 | Rondelle à dents | Tooth lock washer | DE 10 ZB | 8 | 2351301110 | |
| 4 | Ecrou | Nut | H M10 CL 8 ZB | 8 | 2341221080 | |
| 5 | Patin | Skate | | 4 | 118C150440 | |
| 6 | Circlips | Circlips | 2000 Ø20 E | 2 | 2472001170 | |
| 7 | Galet | Roller | LG=50 | 2 | 120D159560 | |
| 7 | <i>Bague</i> | <i>Collar</i> | <i>LG=50</i> | 2 | <i>2390150750</i> | |
| 14 | Batterie de traction | Traction battery | | 4 | 2440208350 | |
| 15 | Butée | Stop | | 1 | 118C150460 | |
| 16 | Vis | Screw | H M8 X 30 / 30 CL 8.8 ZB | 3 | 2331231440 | |
| 17 | Vis | Screw | H M8 X 20 / 20 CL 8.8 ZB | 3 | 2331231420 | |
| 18 | Patin | Skate | | 1 | 118C150450 | |
| 19 | Cale épaisseur | Spacer | | 3 | 118C150560 | |
| 20 | Goupille | Pin | MECANINDUS E 6- 40 | 2 | 2352212190 | |
| 21 | Axe | Axe | | 2 | 120D159570 | |
| 22 | Boule | Ball | Ø40 | 1 | 2420209380 | |
| 23 | Broche | Lock | | 1 | 118C150490 | |
| 24 | Ressort | Spring | 80 mm | 1 | 2421808300 | |
| 25 | Goupille | Pin | MECANINDUS E 8- 40 | 1 | 2352212470 | |
| 27 | Gaine | Duct | Ø23 LG=0,9 | 1 | 2440701910 | |
| 28 | Etrier | Caliper | Ø23 | 2 | 2440501220 | |
| 29 | Vis | Screw | CHC M6 X 20/20 CL 8.8 ZB | 1 | 2308231490 | |
| 30 | Ecrou | Nut | NYLSTOP M6 CL 8 ZB | 1 | 2349221490 | |
| 31 | Vis | Screw | CHC M6 X 16/16 CL 8.8 ZB | 1 | 2308231480 | |
| 32 | Galet | Roller | 20.6mm | 2 | 118D159550 | |

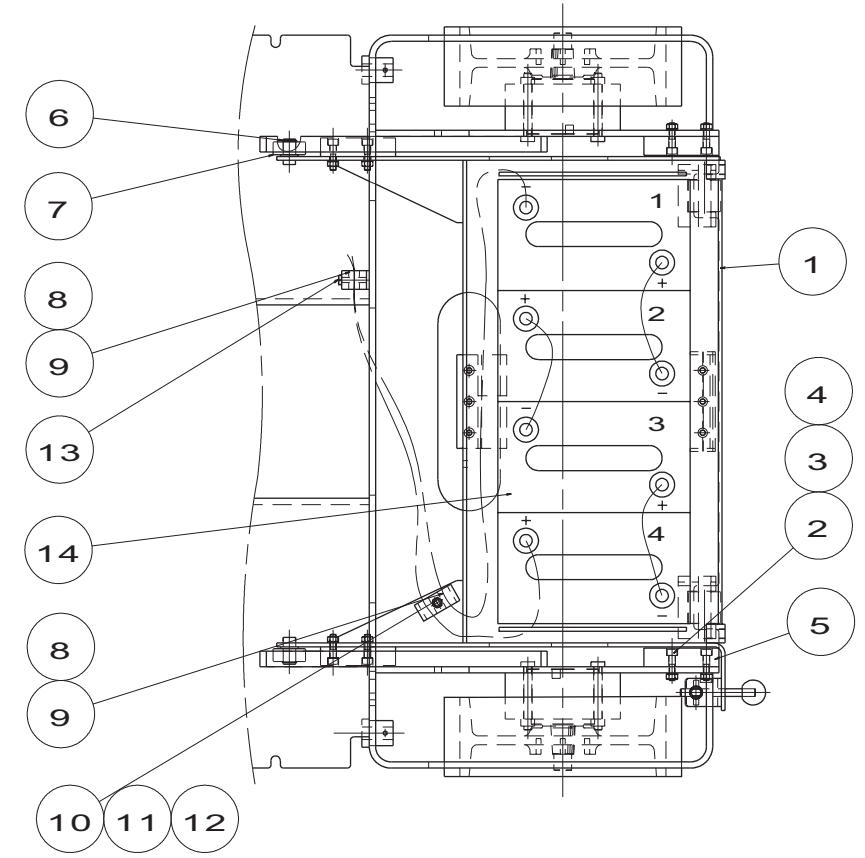
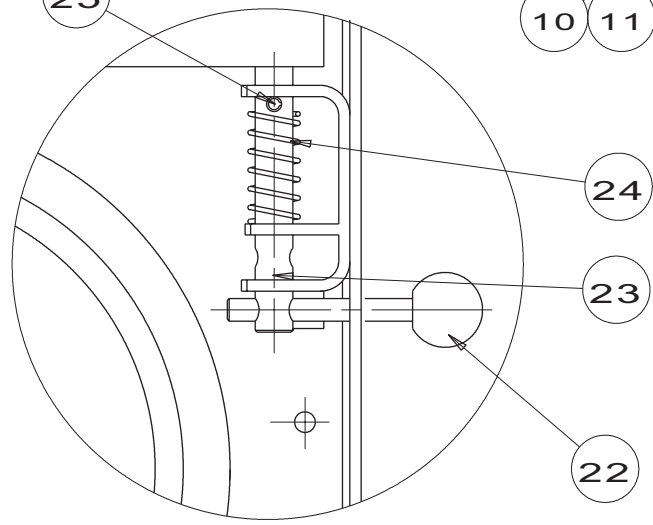
B-B



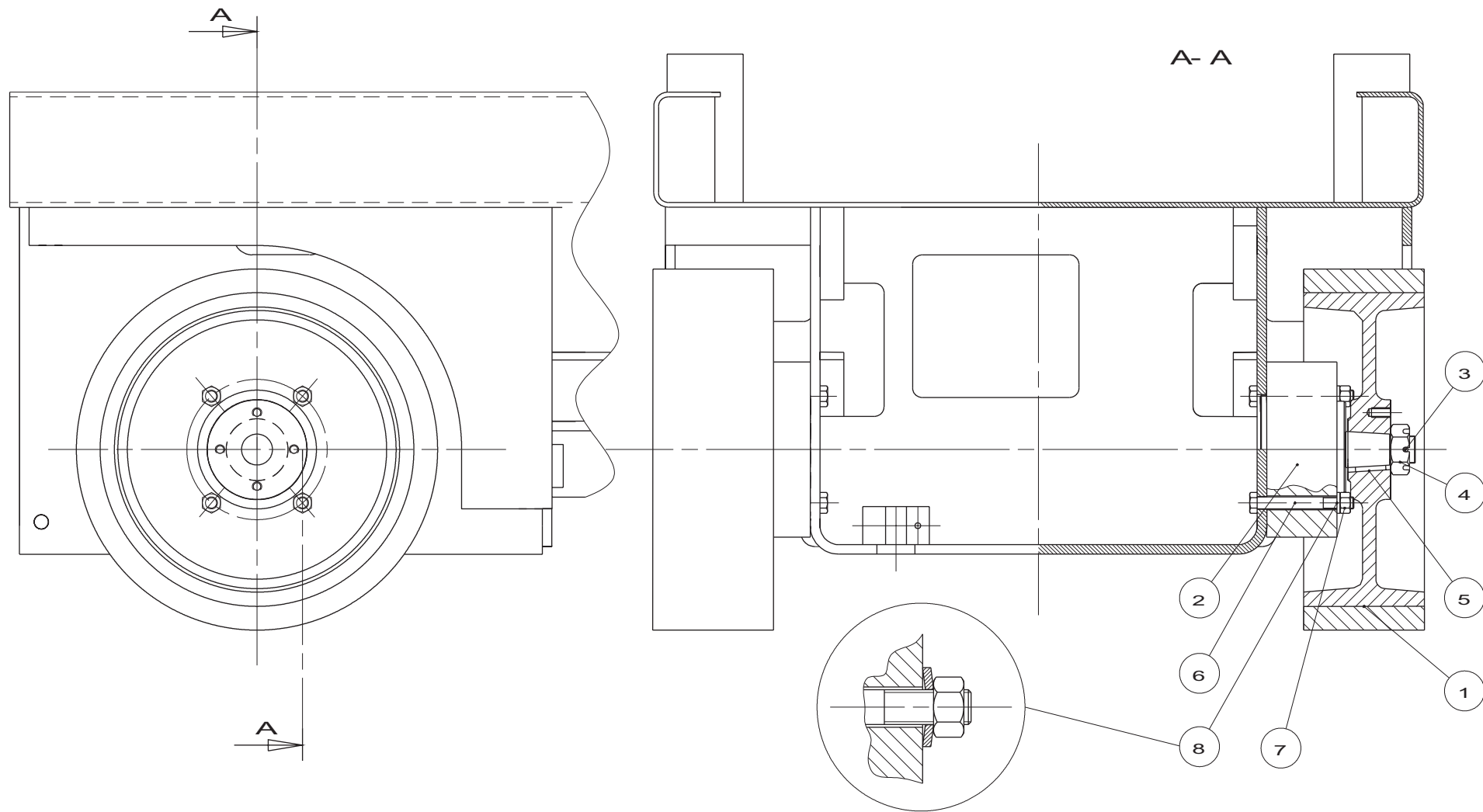
F



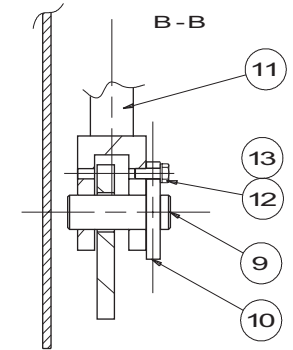
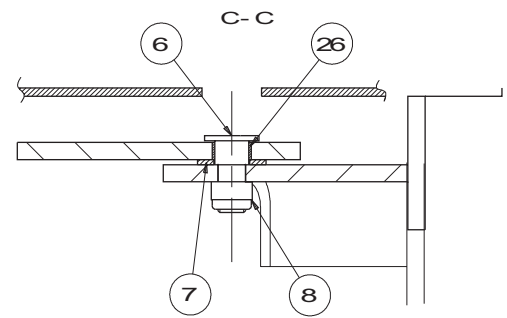
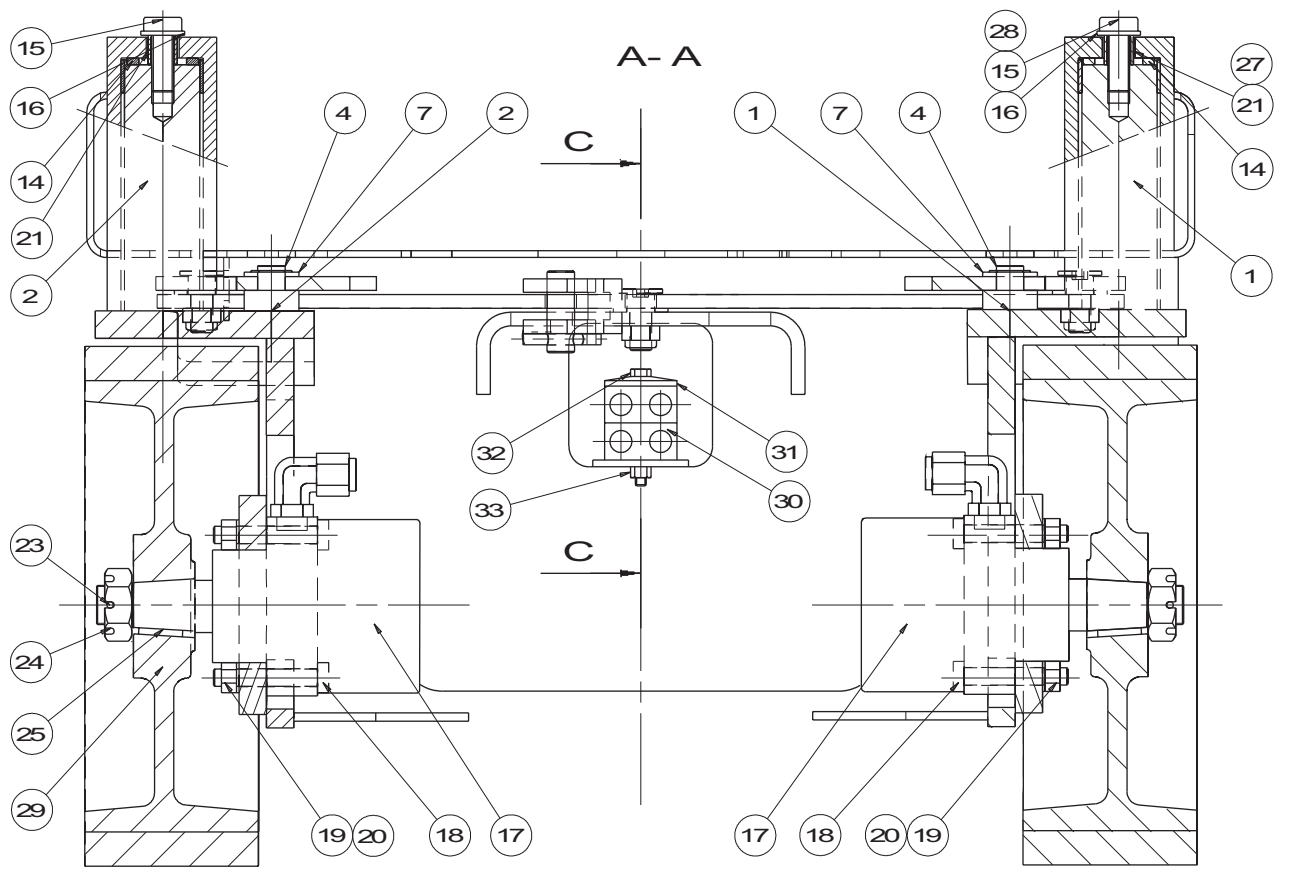
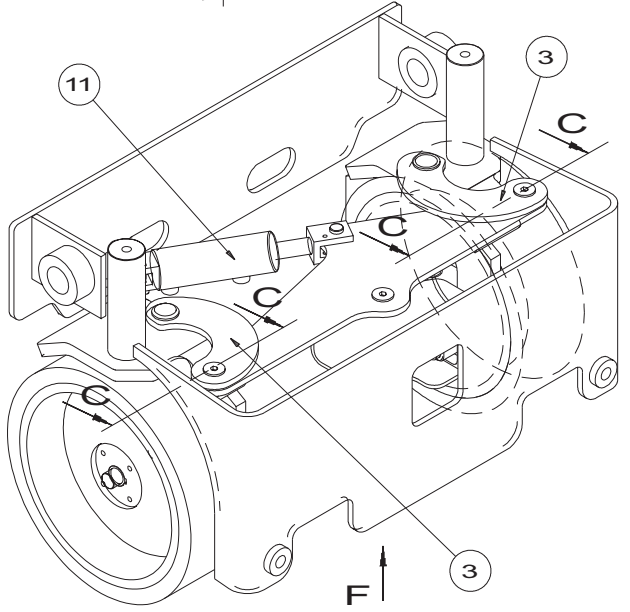
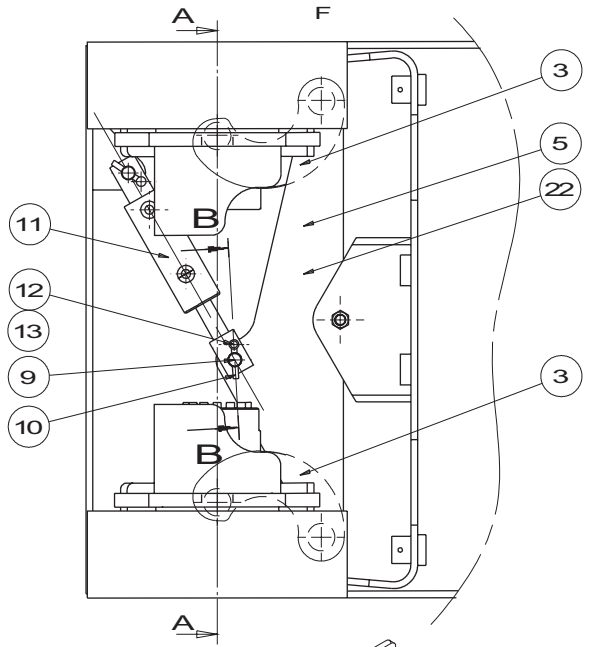
25



A14389



B15650

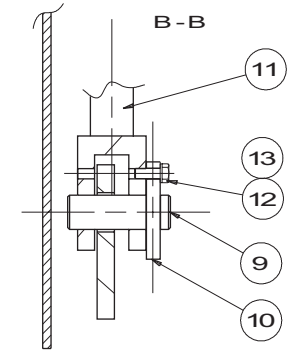
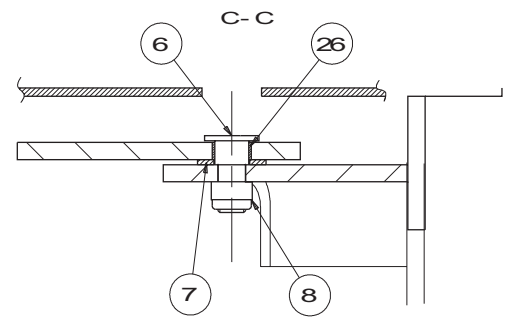
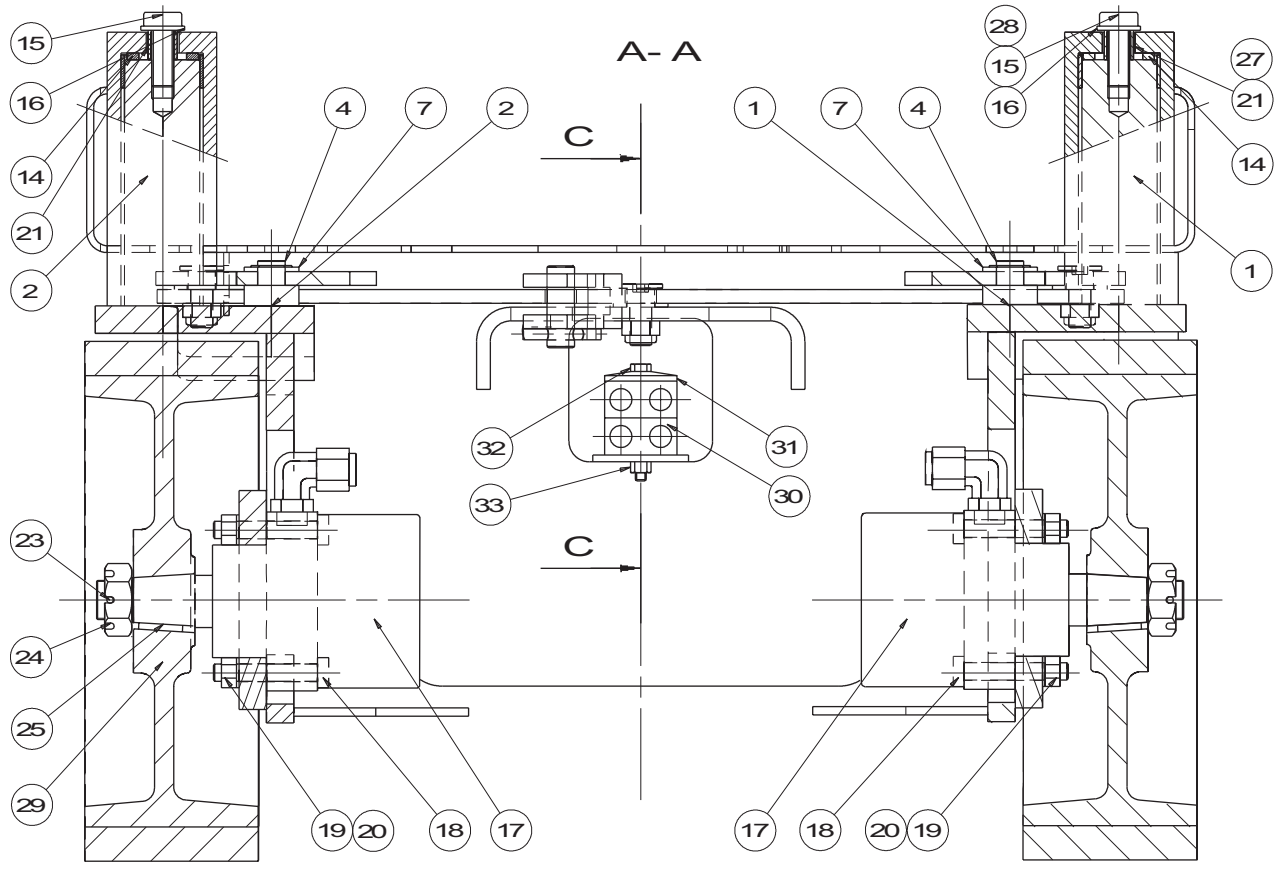
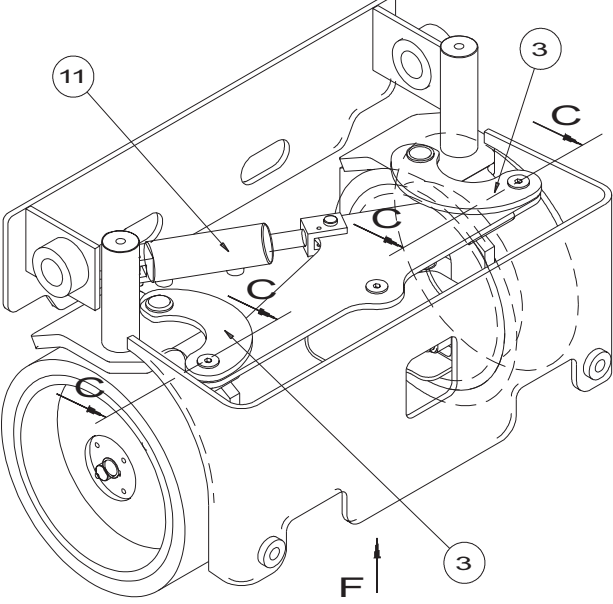
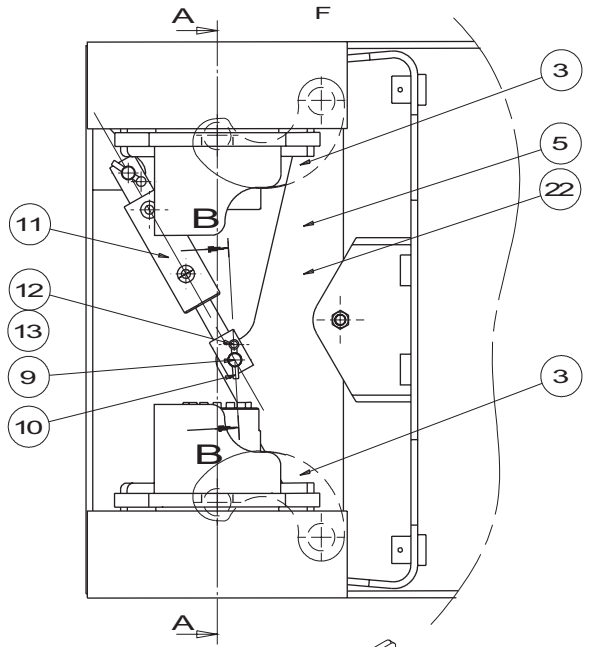


B15649

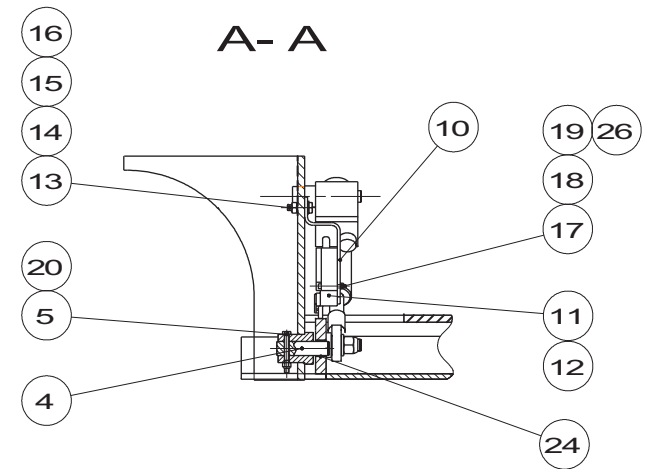
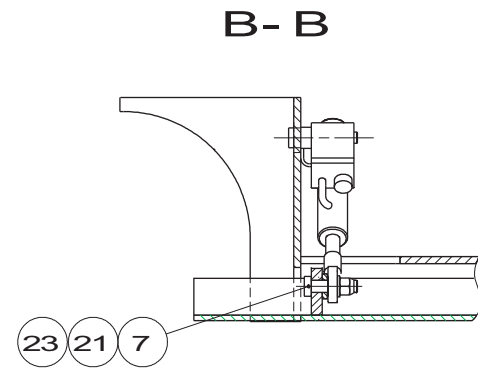
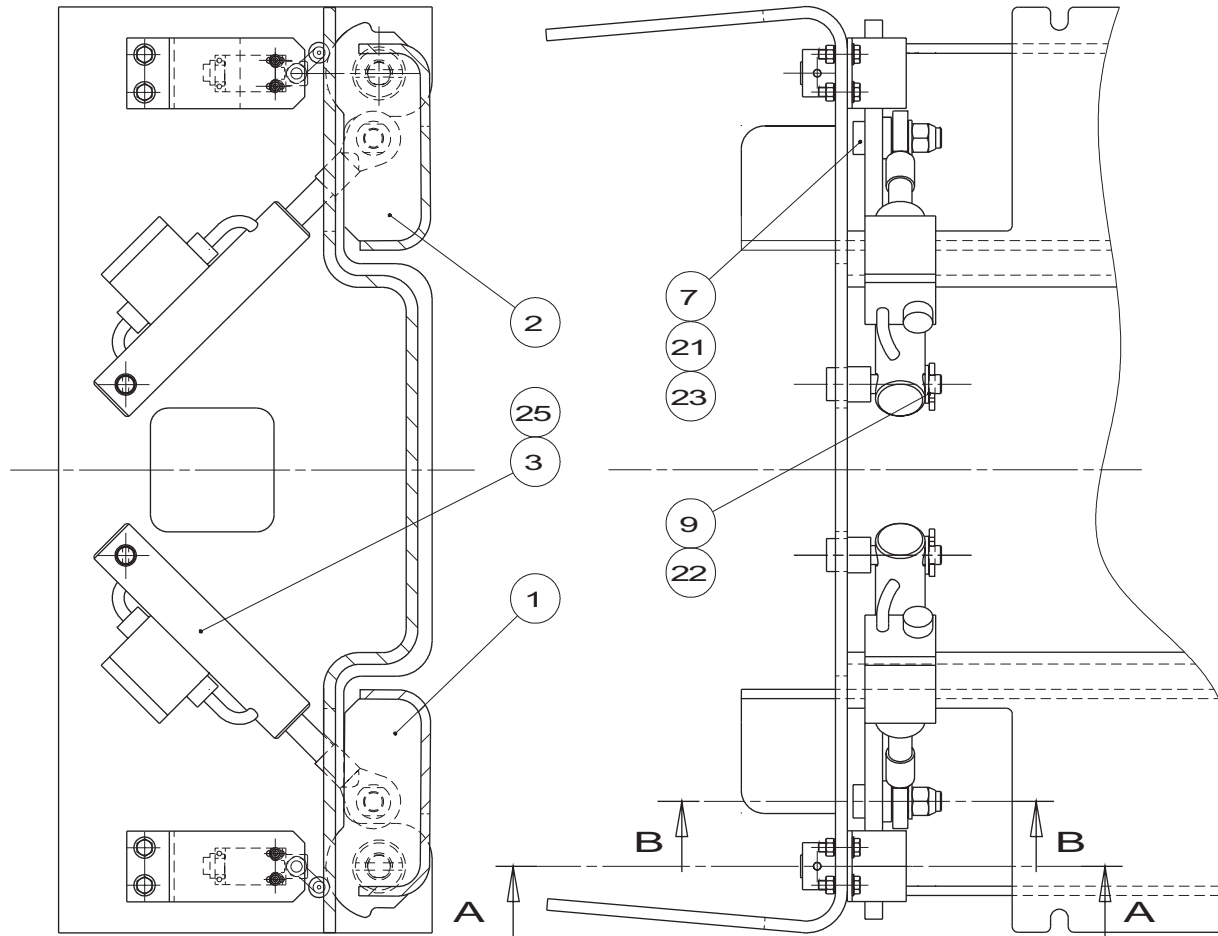
▲ **Essieu moto-directeur**
Motor guiding axle

◀ **A6**
1/2 ▶

| Rep. | Désignation | Designation | Specification | Qty | Code | Up to / jusqu'à |
|-------|----------------------|--------------------|---------------------------|-----|------------|-----------------|
| 1 | Pivot de direction | Direction pivot | | 1 | 118B156390 | |
| 2 | Pivot gauche | Left pivot | | 1 | 118B156400 | |
| 3 | Biellette | Link rod | SP.5044 | 2 | 118C149420 | |
| 3 | Bague | Collar | SP.5044 | 2 | 2390150790 | |
| 4 | Circlips | Circlips | 2000 Ø20 E | 2 | 2472001170 | |
| 6 | Vis | Screw | | 3 | 118C150570 | |
| 7 | Rondelle plate | Flat washer | M 20 U ZB | 5 | 2351112150 | |
| 8 | Ecrou | Nut | NYLSTOP M16 CL 8 ZB | 3 | 2349221540 | |
| 9 | Axe de vérin | Cylinder axis | | 2 | 118D159380 | |
| 10 | Chape male lisse | Smooth male slot | Ø8 50mm | 2 | 173D158320 | |
| 11 | Vérin de direction | Direction cylinder | SP.5093 | 1 | 118C149370 | |
| 12 | Vis | Screw | HM 6 X 16 / 16 CL 8.8 ZB | 2 | 2331231310 | |
| 13 | Rondelle à dents | Tooth lock washer | DE 6 ZB | 2 | 2351301070 | |
| 14 | Rondelle | Washer | Ø35 X 52 - 3,5 | 2 | 2351902510 | |
| 16 | Rondelle plate | Flat washer | M 16 U ZB | 2 | 2351112130 | |
| 17 | Moteur hydraulique | Hydraulic motor | 300CC - SP.5122 | 2 | 2431202050 | |
| 18 | Vis | Screw | H 1/2" UNC 3" CL 8.8 ZB | 8 | 2321311560 | |
| 19 | Ecrou | Nut | H 1/2" UNC CL.8 ZB | 8 | 2349222970 | |
| 20 | Rondelle élastique | Rubber washer | M12 | 8 | 2351902530 | |
| 22 | Levier de direction | Direction lever | SP.5044 | 1 | 118B156530 | |
| 22-26 | Bague | Collar | SP.5044 | 1 | 2390150790 | |
| 22-34 | Bague | Collar | SP.5044 | 1 | 2390150400 | |
| 27 | Entretoise | Brace | | 2 | 118D159500 | |
| 28 | Vis | Screw | H M16 X 90 / 38 CL 8.8 ZB | 2 | 2301232450 | |
| 29 | Collier | Collar | 216/16 PP | 2 | 2389003250 | |
| 30 | Plaque de protection | Protective plate | GD2-D | 1 | 2421608490 | |



B15649

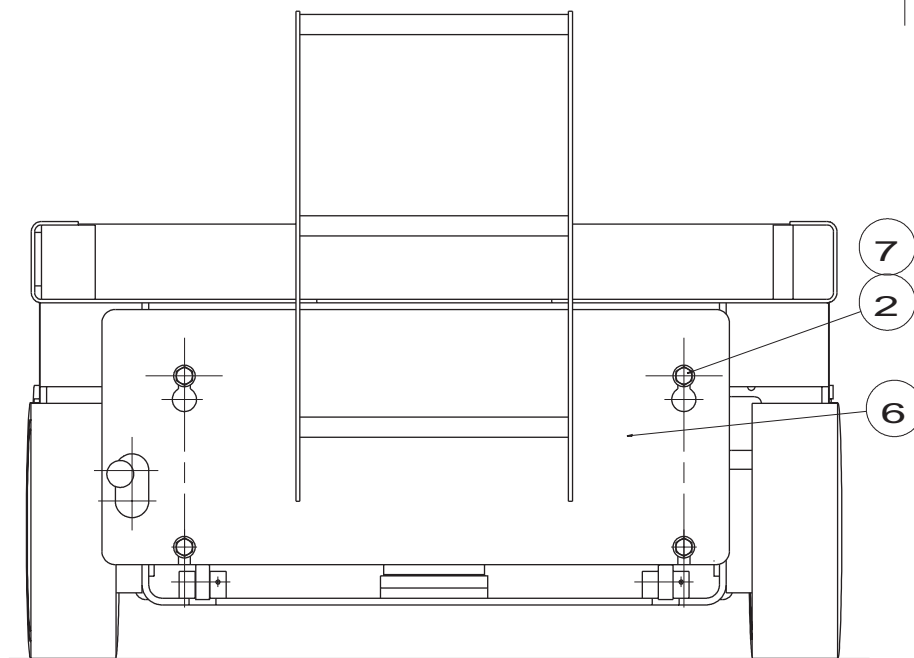
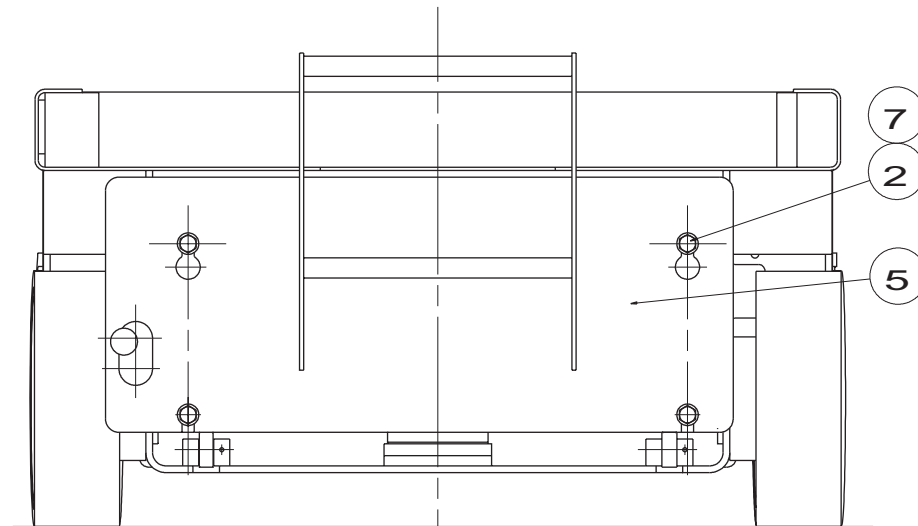
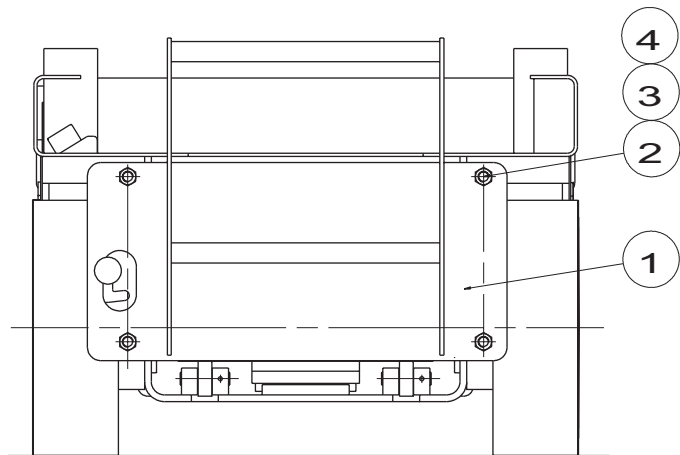


B15845

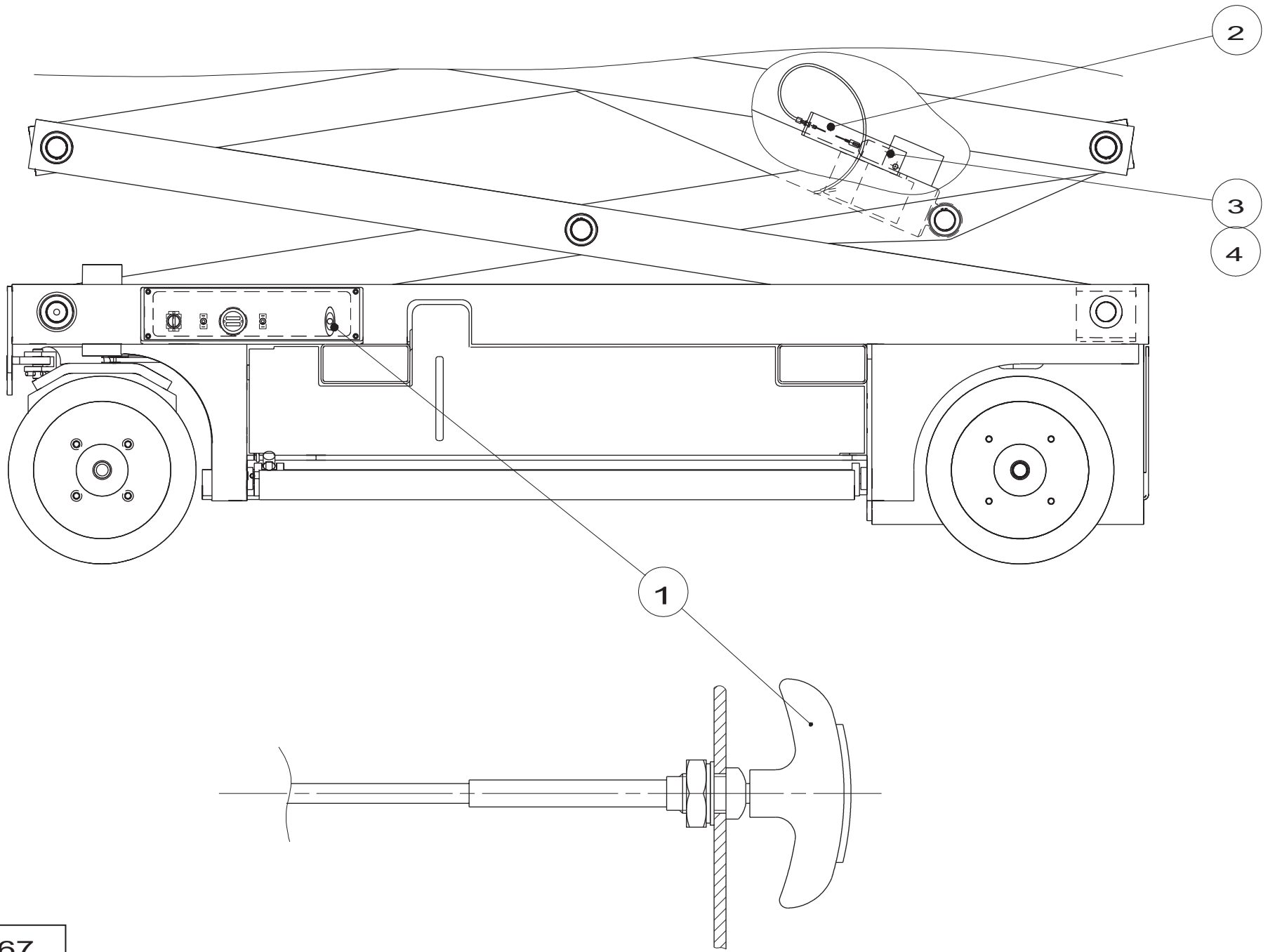
▲ Pothole Anti-tipping over device

◀ A8 ▶

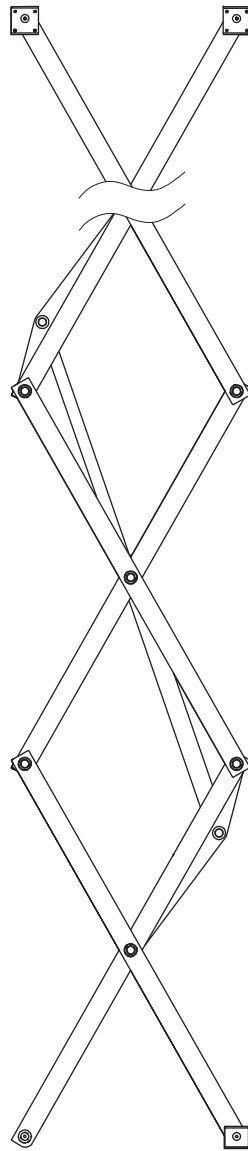
| Rep. | Désignation | Designation | Specification | Qty | Code | Up to / jusqu'à |
|------|--------------------------|--------------------------------|--------------------------|-----|------------|-----------------|
| 1 | Pothole gauche | Left anti-tipping over device | | 1 | 118B156720 | |
| 1-24 | Bague | Collar | | 2 | 2390150340 | |
| 2 | Pothole droit | Right anti-tipping over device | | 1 | 118B156710 | |
| 2-24 | Bague | Collar | | 2 | 2390150340 | |
| 3 | Vérin | Cylinder | SP.5090-5093 | 2 | 118C149380 | |
| 3 | <i>Bague</i> | <i>Collar</i> | <i>SP.5090-5093</i> | 1 | 2390150800 | |
| 4 | Axe | Axe | | 4 | 118D159400 | |
| 5 | Vis | Screw | H M6 X 55 / 18 CL 8.8 ZB | 4 | 2301231490 | |
| 7 | Vis | Screw | | 2 | 118D159580 | |
| 9 | Rondelle plate | Flat washer | M 16 U ZB | 2 | 2351112130 | |
| 10 | Support | Holder | | 2 | 118C149430 | |
| 11 | Interrupteur de position | Position switch | | | 2440901490 | |
| 12 | Presse-étoupe | Packing box | 13/9 | | 2421607690 | |
| 13 | Ecrou | Nut | H M8 CL 8 ZB | 4 | 2341221070 | |
| 14 | Rondelle à dents | Tooth lock washer | DE 8 ZB | 4 | 2351301090 | |
| 15 | Rondelle plate | Flat washer | M 8 U ZB | 4 | 2351112070 | |
| 16 | Vis | Screw | H M8 X 30 / 30 CL 8.8 ZB | 4 | 2331231440 | |
| 17 | Rondelle à dents | Tooth lock washer | DE 4 ZB | 4 | 2351301050 | |
| 18 | Ecrou | Nut | H M4 CL 8 ZB | 4 | 2341221030 | |
| 19 | Vis | Screw | CHC M4 X 35/20 CL 8.8 ZB | 4 | 2308231220 | |
| 20 | Ecrou | Nut | NYLSTOP M6 CL 8 ZB | 4 | 2349221490 | |
| 21 | Rondelle plate | Flat washer | M 16 U ZB | 2 | 2351112130 | |
| 22 | Goupille | Pin | V 5- 36 NF E 27-487 | 2 | 2352110990 | |
| 23 | Ecrou | Nut | NYLSTOP M16 CL 8 ZB | 2 | 2349221540 | |
| 26 | Rondelle plate | Flat washer | M 4 U ZB | 4 | 2351112030 | |
| | | | | | | |



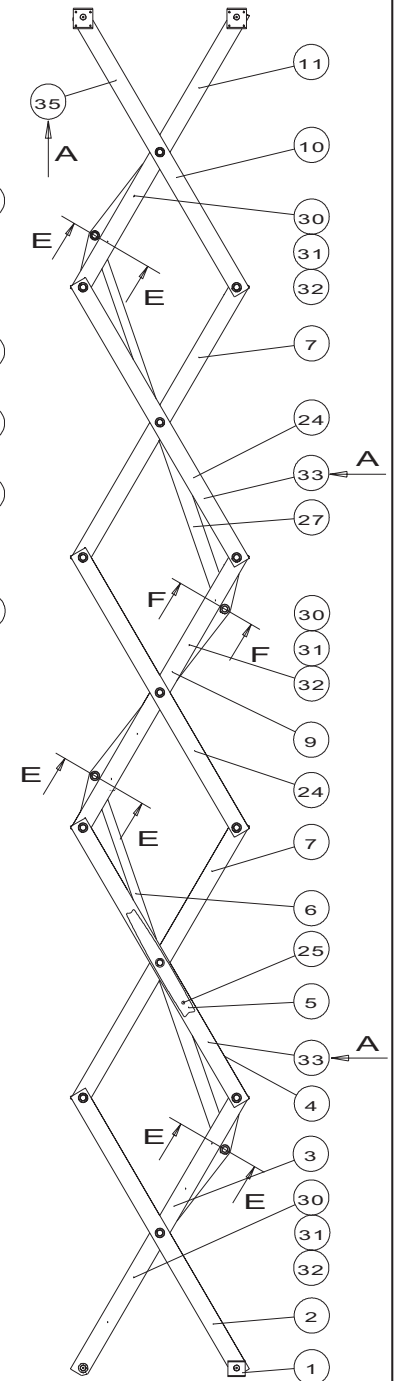
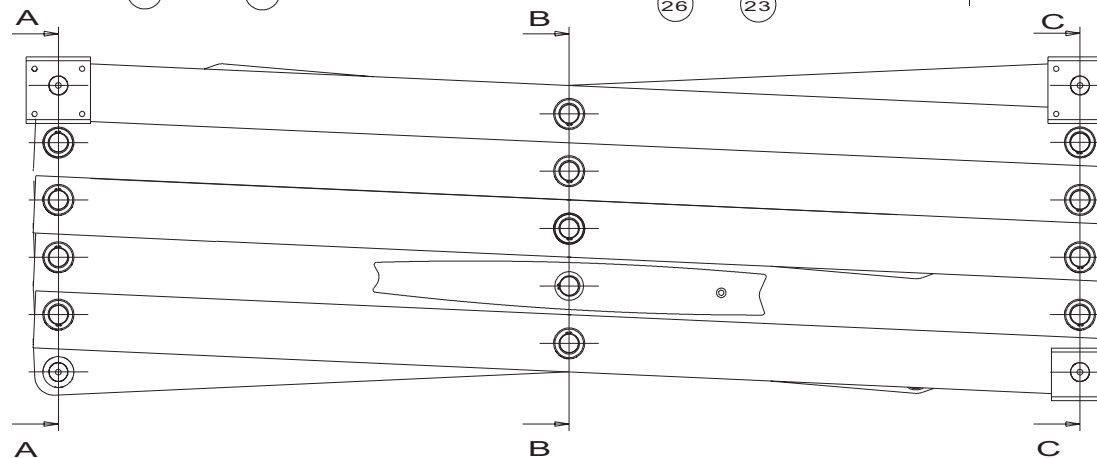
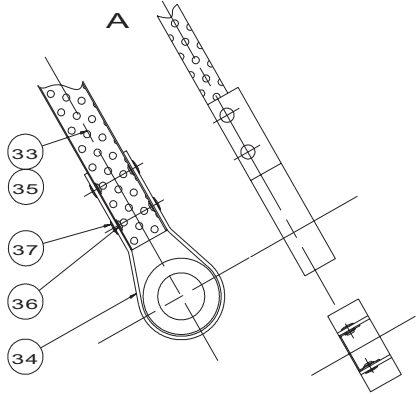
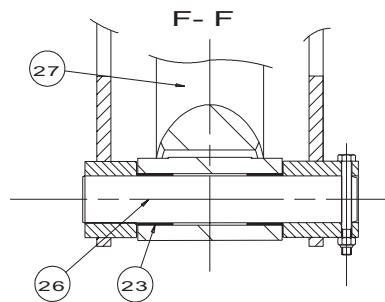
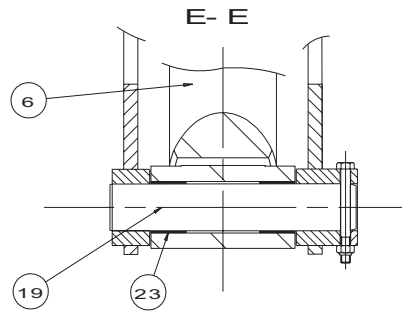
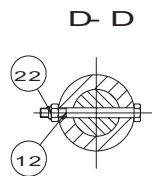
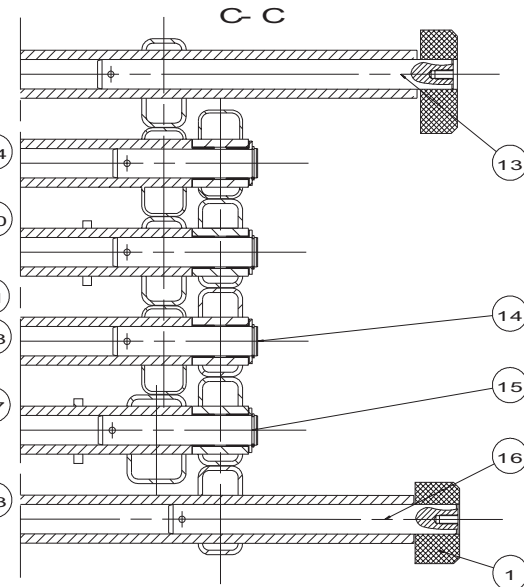
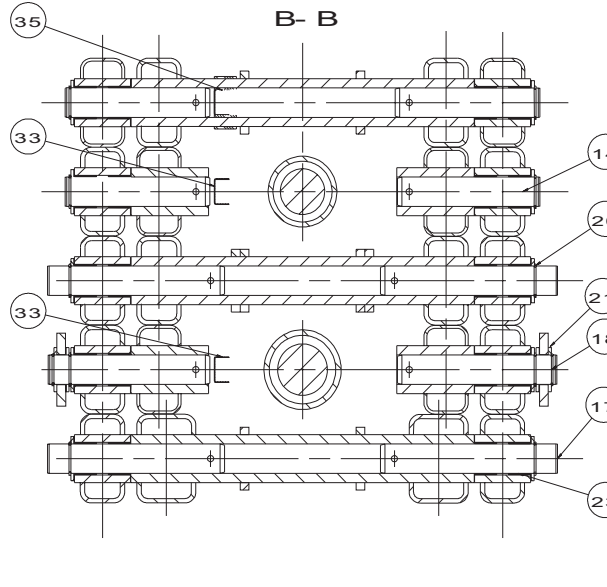
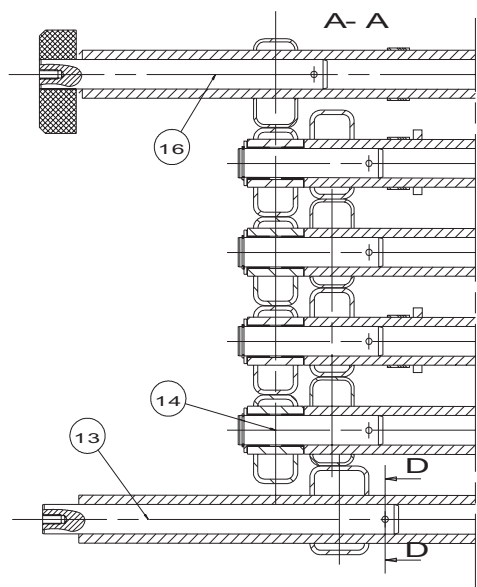
A14381



B15667



D16077

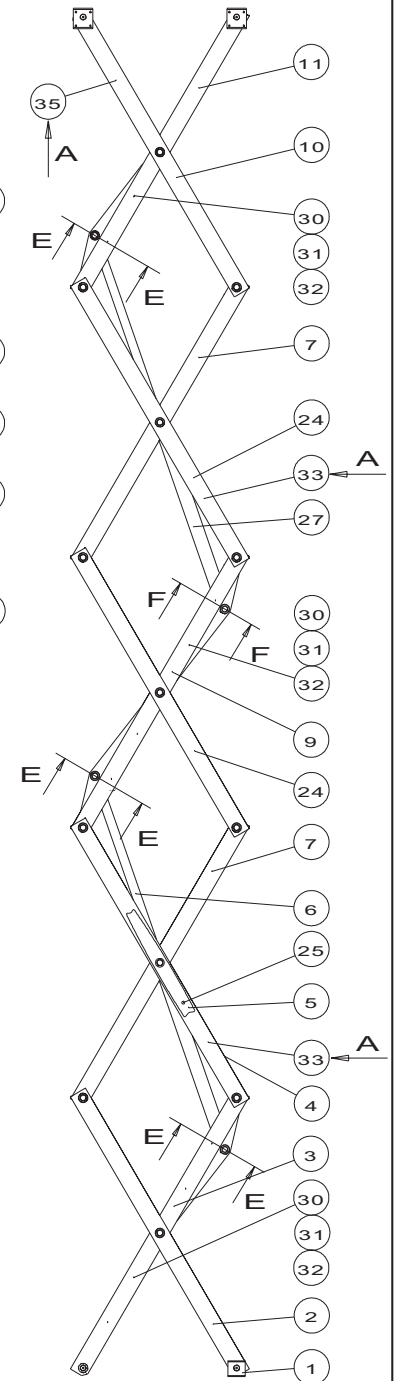
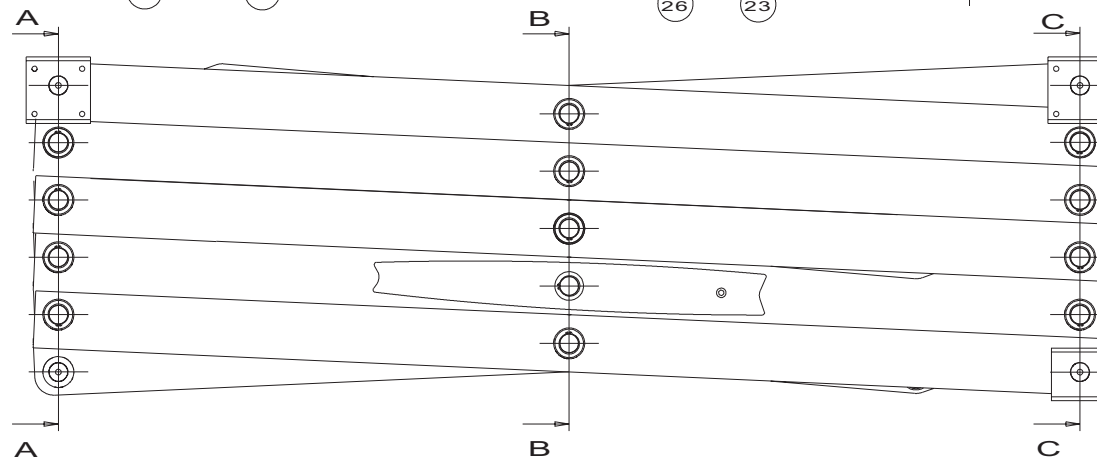
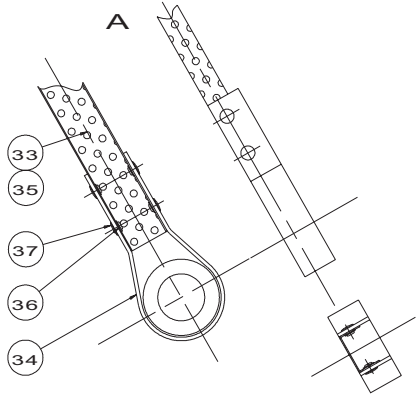
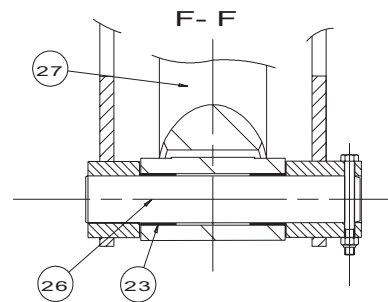
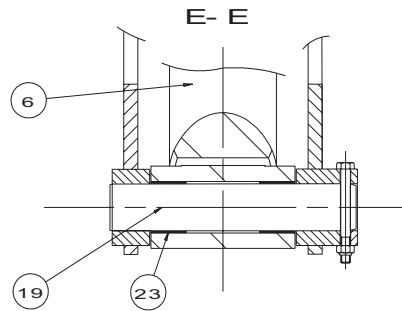
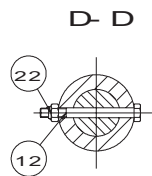
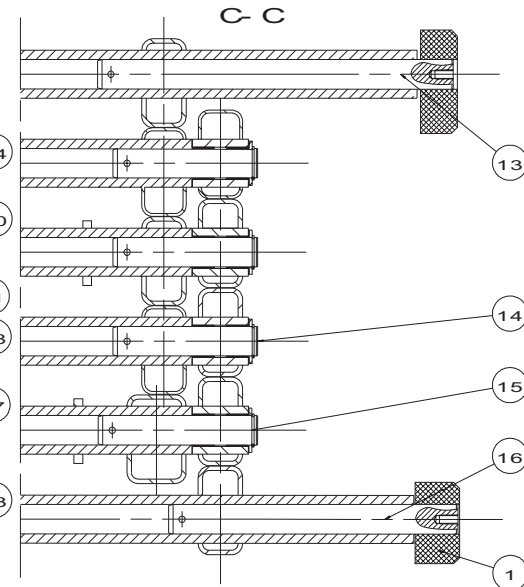
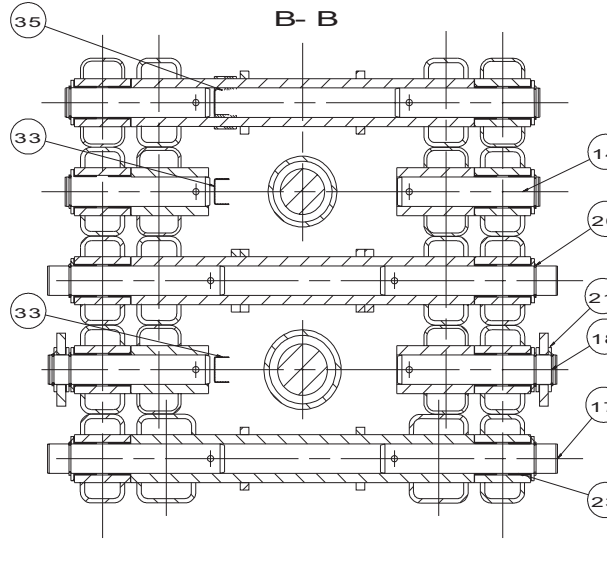
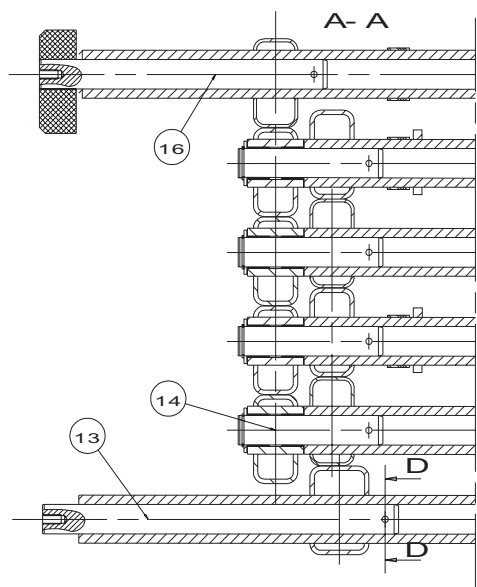


A14338 b

▲ **Ensemble ciseaux**
Cutter unit

◀ **B1**
1/2 ▶

| Rep. | Désignation | Designation | Specification | Qty | Code | Up to / jusqu'à |
|-------|----------------------|-----------------------|--------------------------|-----|------------|-----------------|
| | Vérin de levage | lift cylinder | 65/90 SP.5044 | 1 | 121C150580 | |
| | <i>Electrovalve</i> | <i>Solenoid valve</i> | <i>65/90 SP.5044</i> | 1 | 2440507740 | |
| | Bague | Collar | 65/90 SP.5044 | 4 | 2390150450 | |
| | Equerre de sécurité | Safety support | | 1 | 118D161610 | |
| | <i>Electrovalve</i> | <i>Solenoid valve</i> | <i>65/90 SP.5044</i> | 1 | 2440507740 | |
| | Bague | Collar | 65/90 SP.5044 | 4 | 2390150450 | |
| 1 | Patin | Skate | | 2 | 118D159370 | |
| 2 | Bras extérieur | Exterior arm | 1 | 1 | 120B156040 | |
| 2-23 | <i>Bague</i> | <i>Collar</i> | <i>1</i> | 8 | 2390150450 | |
| 3 | Bras intérieur | Interior arm | 1 | 1 | 120B156100 | |
| 4 | Bras extérieur droit | Exterior right arm | 2 | 2 | 120B156050 | |
| 4-23 | <i>Bague</i> | <i>Collar</i> | <i>2</i> | 6 | 2390150450 | |
| 5 | Béquille | Support | | 2 | 120C149350 | |
| 6 | Vérin de levage | lift cylinder | 65/90 | 1 | 121C156140 | |
| 7 | Bras intérieur | Interior arm | 2 | 2 | 120B155910 | |
| 9 | Bras intérieur | Interior arm | 3 | 1 | 121B156170 | |
| 10 | Bras extérieur | Exterior arm | (upper) | 1 | 120B155890 | |
| 10-23 | <i>Bague</i> | <i>Collar</i> | <i>(upper)</i> | 8 | 2390150450 | |
| 11 | Bras intérieur | Interior arm | | 1 | 119B156090 | |
| 12 | Vis | Screw | H M8 X 80 / 22 CL 8.8 ZB | 38 | 2301231750 | |
| 13 | Axe | Axe | | 2 | 120C148920 | |
| 14 | Axe | Axe | | 18 | 118D159270 | |
| 15 | Axe | Axe | | 2 | 120D159320 | |
| 16 | Axe | Axe | | 4 | 120C149210 | |
| 17 | Axe | Axe | | 4 | 120D159350 | |
| 18 | Axe | Axe | | 2 | 120D159360 | |

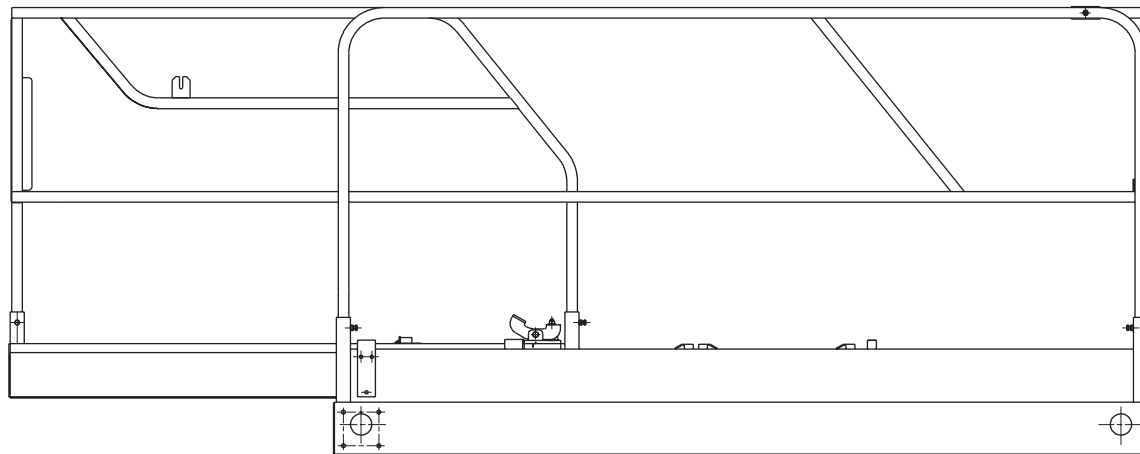


A14338 b

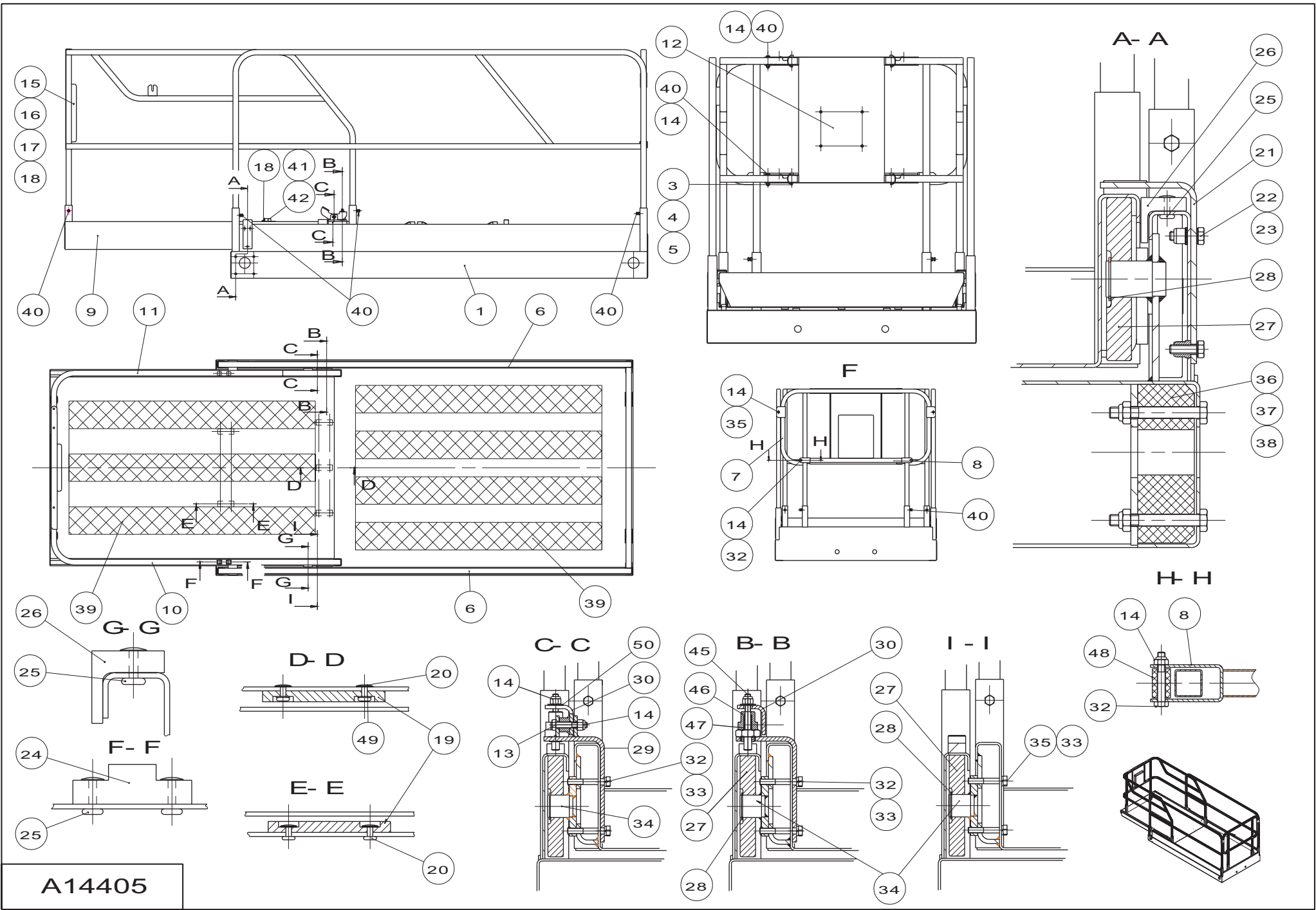
▲ **Ensemble ciseaux**
Cutter unit

◀ **B1**
2/2 ▶

| Rep. | Désignation | Designation | Specification | Qty | Code | Up to / jusqu'à |
|-------|------------------|-------------------|----------------------------|-----|------------|-----------------|
| 19 | Axe de vérin | Cylinder axis | | 3 | 118D159340 | |
| 20 | Anneau élastique | Rubber ring | | 28 | 2479001080 | |
| 21 | Rondelle | Washer | Ø60/40 4 | 30 | 116D149270 | |
| 22 | Ecrou | Nut | NYLSTOP M8 CL 8 ZB | 38 | 2349221500 | |
| 24 | Bras extérieur | Exterior arm | 2 | 4 | 120B155850 | |
| 24-23 | <i>Bague</i> | <i>Collar</i> | 2 | 6 | 2390150450 | |
| 25 | Vis | Screw | CHC M8 X 35 / 35 CL 8.8 ZB | 2 | 2308231720 | |
| 26 | Axe de vérin | Cylinder axis | 2 | 1 | 121D159330 | |
| 27 | Vérin de levage | lift cylinder | 60/80 SP.5044 | 1 | 121C150590 | |
| 27-23 | <i>Bague</i> | <i>Collar</i> | 60/80 SP.5044 | 4 | 2390150450 | |
| 30 | Collier | Collar | Ø18 | 12 | 2389001560 | |
| 31 | Rondelle à dents | Tooth lock washer | DE 5 ZB | 12 | 2351301060 | |
| 32 | Ecrou | Nut | H M5 CL 8 ZB | 12 | 2341221040 | |
| 33 | Goulotte | Trunking | 2,04m | 2 | 118C151480 | |
| 34 | Sangle batterie | Battery strap | | 6 | 118C151470 | |
| 35 | Goulotte | Trunking | 0,96m | 1 | 118C151490 | |
| 36 | Rivet | Rivet | TAPD | 24 | 2421808290 | |
| 37 | Rondelle plate | Flat washer | M 4 U ZB | 24 | 2351112030 | |
| 38 | Axe | Axe | | 2 | 120C152910 | |
| 39 | Butée | Stop | | 32 | 118D160390 | |
| 40 | Vis | Screw | H M5 25/25 CL 8,8 ZB | 2 | 2301231330 | |
| 41 | Embout | End fitting | | 20 | 2420506060 | |
| 42 | Embout | End fitting | | 10 | 2420506050 | |
| 43 | Embout | End fitting | | 2 | 2420506040 | |
| | | | | | | |
| | | | | | | |



D16078



A14405

**▲ Plate-forme
Platform**

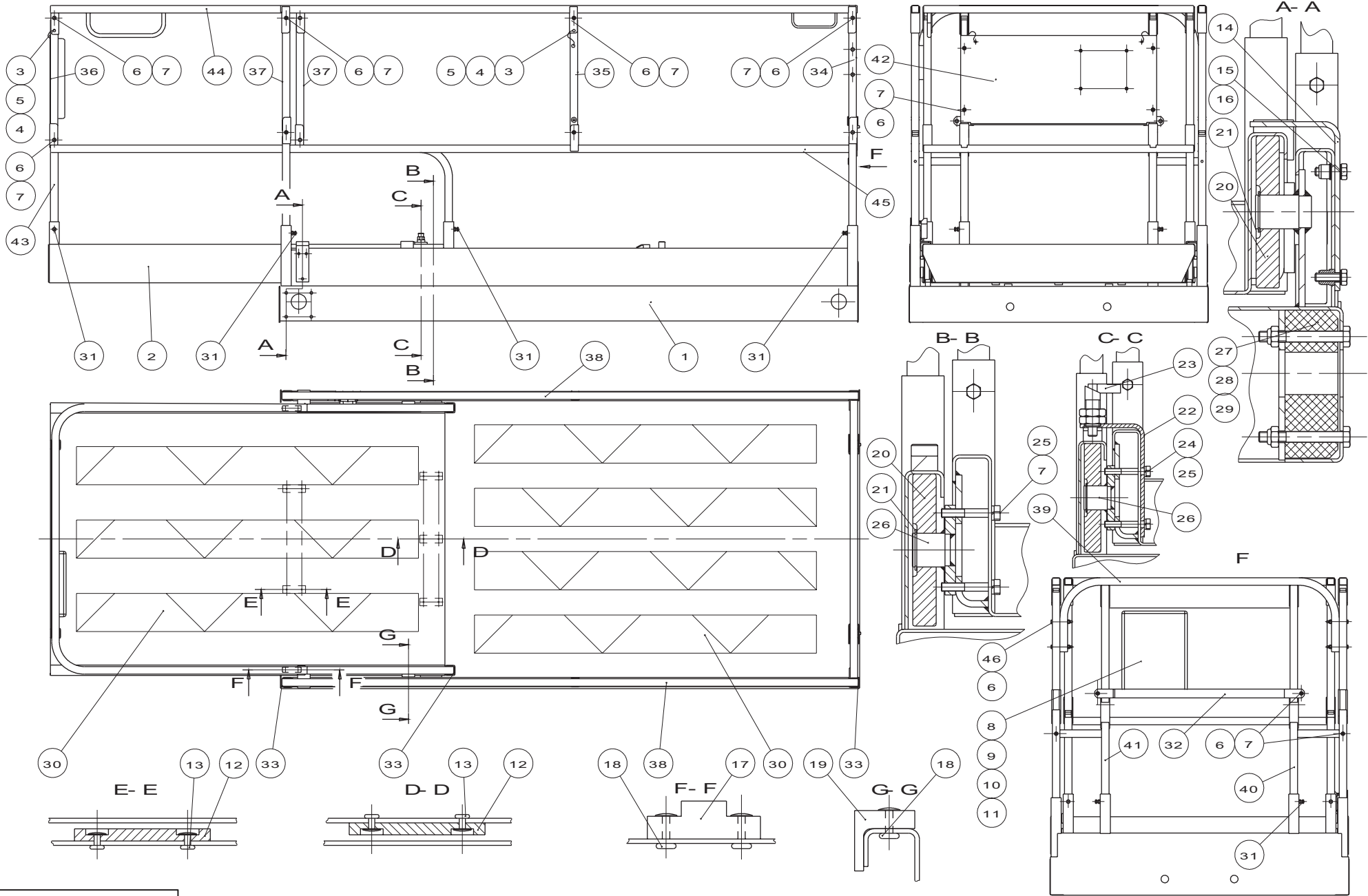
◀ **C1
1/2** ▶

| Rep. | Désignation | Designation | Specification | Qty | Code | Up to / jusqu'à |
|------|---------------------------|--------------------|--------------------------|-----|------------|-----------------|
| 1 | Plate-forme | Platform | 1,2m | 1 | 119A143190 | |
| 3 | Goupille | Pin | REF:B266 | 4 | 2352312430 | |
| 4 | Rivet | Rivet | GESIPA M5 X 16 Zn | 4 | 2421803190 | |
| 5 | Chaînette | Small chain | 14,5x5,2 FIL D.2,2 | 4 | 2425631220 | |
| 6 | Garde corps | Protection | | 2 | 118C148680 | |
| 7 | Garde corps droit | | | 1 | 119C148660 | |
| 8 | Barre de guidage | Guide bar | | 1 | 118C148670 | |
| 9 | Extension plancher | Flooring extension | | 1 | 119A143170 | |
| 10 | Garde corps | Protection | | 1 | 118B155780 | |
| 11 | Garde corps | Protection | | 1 | 118B155790 | |
| 12 | Garde corps intermédiaire | | | 1 | 119B155800 | |
| 13 | Vis | Screw | H M8 X 45 / 22 CL 8.8 ZB | 1 | 2301231680 | |
| 14 | Ecrou | Nut | NYLSTOP M8 CL 8 ZB | 6 | 2349221500 | |
| 15 | Boîte à document | Document box | | 1 | 2420209920 | |
| 16 | Vis | Screw | HM 6 X 20 / 20 CL 8.8 ZB | 4 | 2331231330 | |
| 17 | Rondelle plate | Flat washer | M 6 U ZB | 4 | 2351112050 | |
| 18 | Ecrou | Nut | NYLSTOP M6 CL 8 ZB | 6 | 2349221490 | |
| 19 | Plaque d'appui | Bearing plate | | 5 | 118D158190 | |
| 20 | Rivet | Rivet | TAPD | 10 | 2421808290 | |
| 21 | Equerre de sécurité | Safety support | | 2 | 118C148840 | |
| 22 | Vis | Screw | H M8 X 25 / 25 CL 8.8 ZB | 6 | 2331231430 | |
| 23 | Rondelle à dents | Tooth lock washer | DE 8 ZB | 6 | 2351301090 | |
| 24 | Patin | Skate | | 2 | 118C148060 | |
| 25 | Rivet | Rivet | TAPD | 12 | 2421808280 | |
| 26 | Patin | Skate | | 4 | 118D159180 | |
| 27 | Galet | Roller | | 4 | 118D159200 | |

▲ **Plate-forme**
Platform

◀ **C1**
2/2 ▶

| Rep. | Désignation | Designation | Specification | Qty | Code | Up to / jusqu'à |
|------|-----------------------|------------------------|---------------------------|-----|------------|-----------------|
| 28 | Circlips | Circlips | 2000 Ø32 E | 4 | 2472001290 | |
| 29 | Support | Holder | | 1 | 118C152980 | |
| 30 | Pédale | Pedal | | 1 | 118C152970 | |
| 32 | Vis | Screw | H M8 X 55 / 22 CL 8.8 ZB | 6 | 2301231700 | |
| 33 | Rondelle | Washer | GROWER W 8 | 8 | 2351201070 | |
| 34 | Axe | Axe | | 2 | 118C148890 | |
| 35 | Vis | Screw | H M8 X 50 / 22 CL 8.8 ZB | 6 | 2301231690 | |
| 36 | Patin | Skate | | 4 | 118D159210 | |
| 37 | Vis | Screw | H M10 X 80 / 26 CL 8.8 ZB | 8 | 2301231860 | |
| 38 | Ecrou | Nut | NYLSTOP M10 CL 8 ZB | 8 | 2349221510 | |
| 39 | Adhésif anti-dérapant | Non-slip adhesive tape | | | 2420104400 | |
| 40 | Vis | Screw | H M8 X 50/ 50 CL 8.8 ZB | 12 | 2331231490 | |
| 43 | Collier | Collar | 215 PP | 1 | 2389003260 | |
| 44 | Vis | Screw | CHC M6 X 35/24 CL 8.8 ZB | 2 | 2308231520 | |
| 45 | Axe | Axe | | 1 | 118D160380 | |
| 46 | Loquet | Latch | | 1 | 118C152960 | |
| 47 | Ressort | Spring | | 1 | 2421808570 | |
| 48 | Galet | Roller | | 2 | 118D160400 | |
| 49 | Rondelle plate | Flat washer | M 4 U ZB | 6 | 2351112030 | |
| 50 | Rondelle plate | Flat washer | L 8 U ZB | 1 | 2351113070 | |
| | | | | | | |
| | | | | | | |
| | | | | | | |
| | | | | | | |
| | | | | | | |
| | | | | | | |

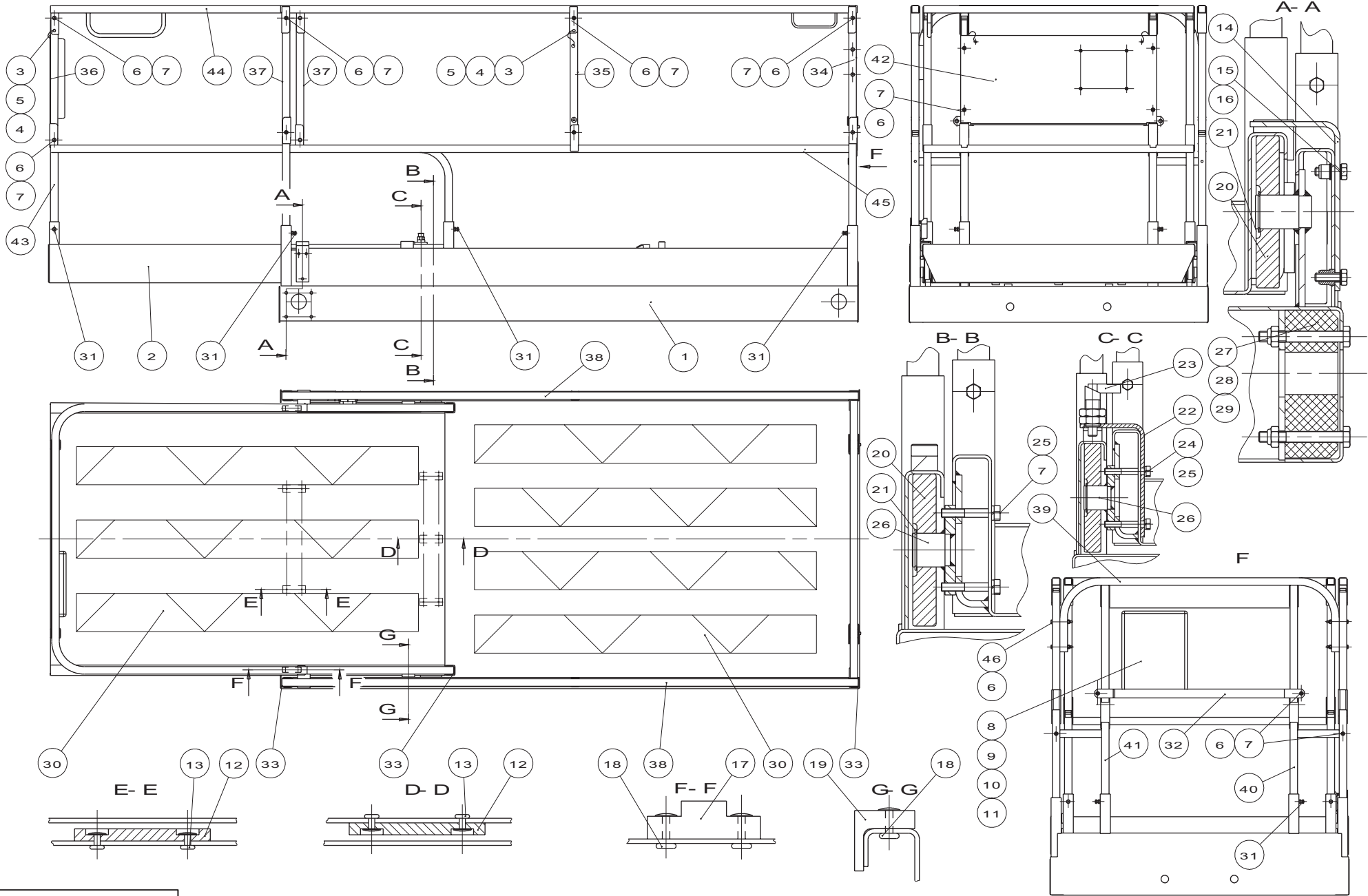


A14364 b

▲ **Plate-forme avec garde-corps rabattable**
Platform with foldable guard rail

◀ **C2**
1/3 ▶

| Rep. | Désignation | Designation | Specification | Qty | Code | Up to / jusqu'à |
|------|---------------------|--------------------|--------------------------|-----|------------|-----------------|
| | Pédale | Pedal | | 1 | 118C152970 | |
| | Support | Holder | | 1 | 118C152980 | |
| | Axe | Axe | | 1 | 118D160380 | |
| | Galet | Roller | | 2 | 118D160400 | |
| | Patte de fixation | Retaining bracket | | 1 | 119D160420 | |
| | Vis | Screw | CHC M6 X 35/24 CL 8.8 ZB | 2 | 2308231520 | |
| | Rondelle plate | Flat washer | M 4 U ZB | 6 | 2351112030 | |
| | Rondelle plate | Flat washer | L 8 U ZB | 1 | 2351113070 | |
| | Collier | Collar | 215 PP | 1 | 2389003260 | |
| | Ressort | Spring | | 1 | 2421808570 | |
| | Loquet | Latch | | 1 | 118C152960 | |
| 1 | Plate-forme | Platform | 1,2m | 1 | 119A143190 | |
| 2 | Extension plancher | Flooring extension | | 1 | 119A143170 | |
| 3 | Goupille | Pin | REF:B266 | 4 | 2352312430 | |
| 4 | Rivet | Rivet | GESIPA M5 X 16 Zn | 4 | 2421803190 | |
| 5 | Chaînette | Small chain | 14,5x5,2 FIL D.2,2 | 4 | 2425631220 | |
| 6 | Ecrou | Nut | NYLSTOP M8 CL 8 ZB | 36 | 2349221500 | |
| 7 | Vis | Screw | H M8 X 50 / 22 CL 8.8 ZB | 30 | 2301231690 | |
| 8 | Boîte à document | Document box | | 1 | 2420209920 | |
| 9 | Vis | Screw | HM 6 X 20 / 20 CL 8.8 ZB | 4 | 2331231330 | |
| 10 | Rondelle plate | Flat washer | M 6 U ZB | 4 | 2351112050 | |
| 11 | Ecrou | Nut | NYLSTOP M6 CL 8 ZB | 6 | 2349221490 | |
| 12 | Plaque d'appui | Bearing plate | | 5 | 118D158190 | |
| 13 | Rivet | Rivet | TAPD | 10 | 2421808290 | |
| 14 | Equerre de sécurité | Safety support | | 2 | 118C148840 | |
| 15 | Vis | Screw | H M8 X 25 / 25 CL 8.8 ZB | 6 | 2331231430 | |

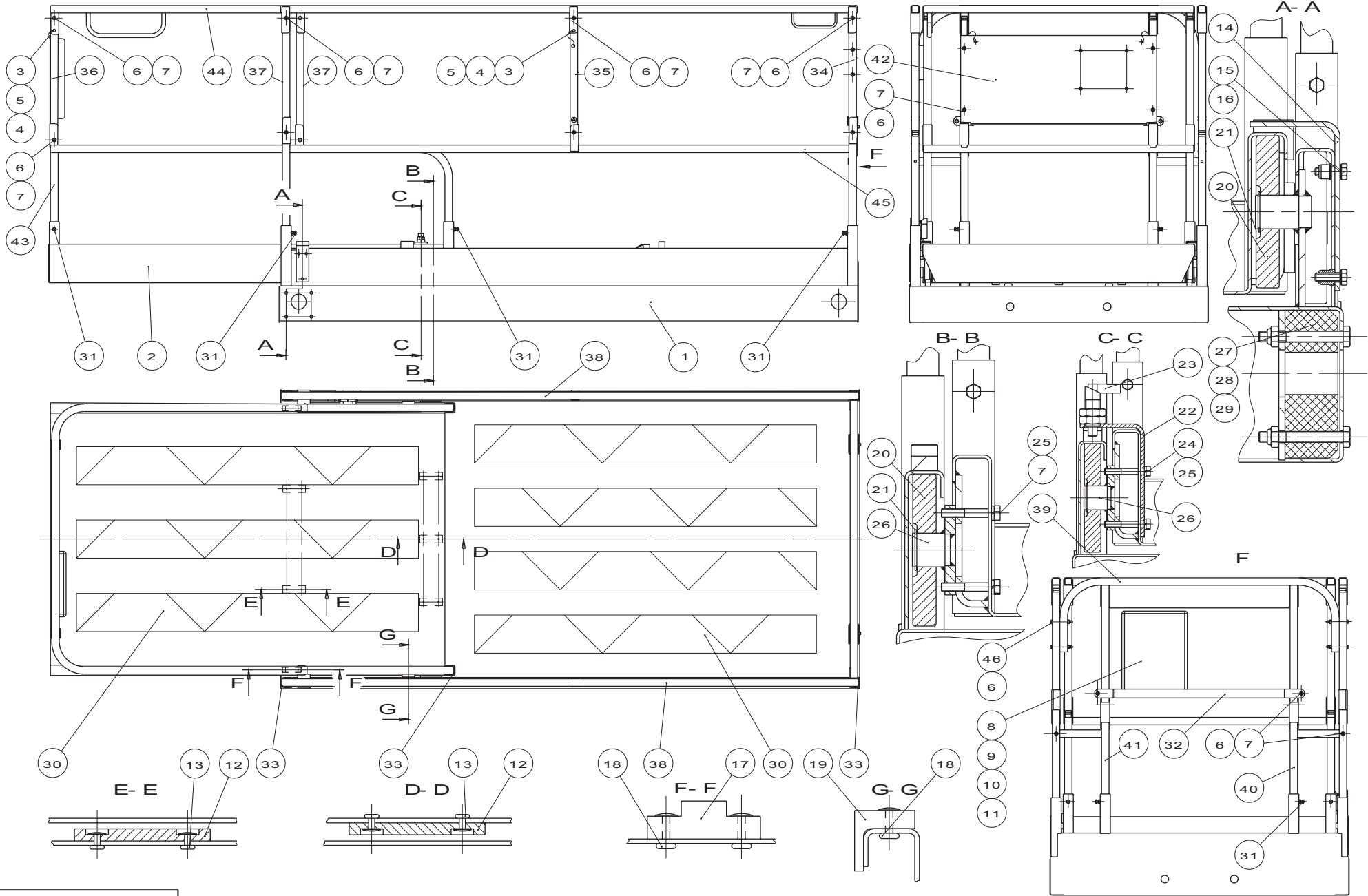


A14364 b

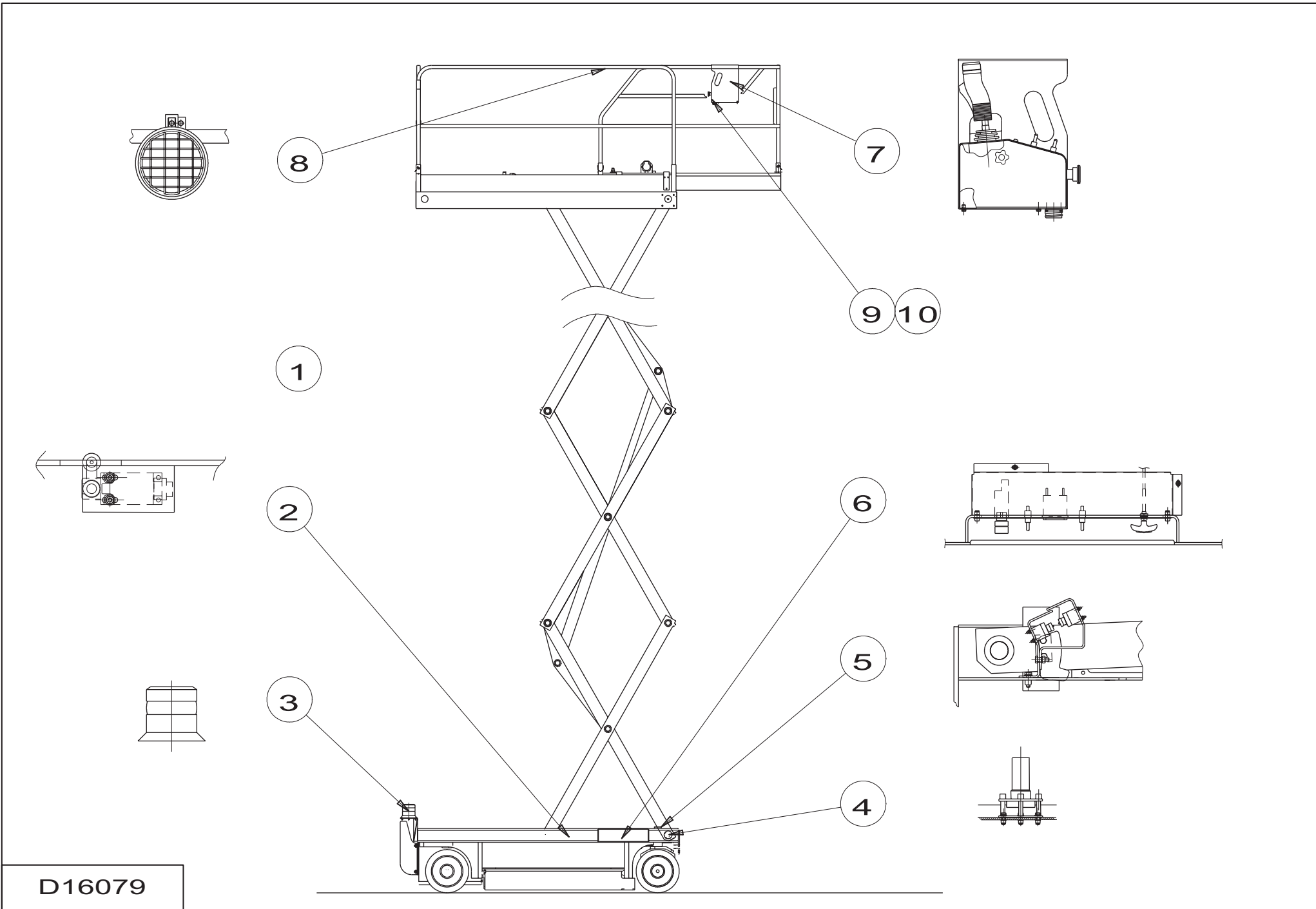
▲ **Plate-forme avec garde-corps rabattable**
Platform with foldable guard rail

◀ **C2** ▶
2/3

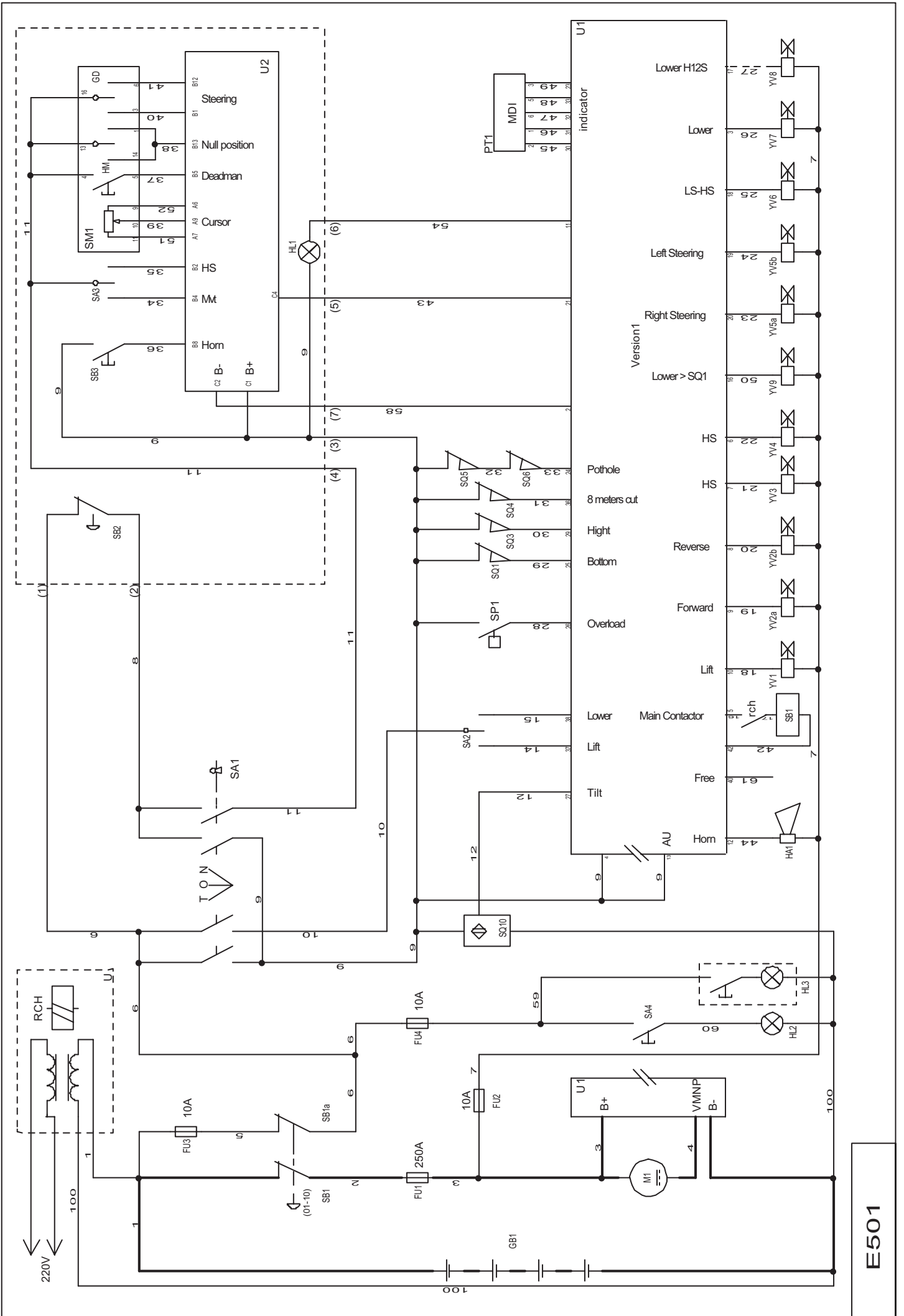
| Rep. | Désignation | Designation | Specification | Qty | Code | Up to / jusqu'à |
|------|------------------------------|------------------------|---------------------------|-----|------------|-----------------|
| 16 | Rondelle à dents | Tooth lock washer | DE 8 ZB | 6 | 2351301090 | |
| 17 | Patin | Skate | | 2 | 118C148060 | |
| 18 | Rivet | Rivet | TAPD | 12 | 2421808280 | |
| 19 | Patin | Skate | | 4 | 118D159180 | |
| 20 | Galet | Roller | | 4 | 118D159200 | |
| 21 | Circlips | Circlips | 2000 Ø32 E | 4 | 2472001290 | |
| 24 | Vis | Screw | H M8 X 55 / 22 CL 8.8 ZB | 8 | 2301231700 | |
| 25 | Rondelle | Washer | GROWER W 8 | 8 | 2351201070 | |
| 26 | Axe | Axe | | 2 | 118C148890 | |
| 27 | Patin | Skate | | 4 | 118D159210 | |
| 28 | Vis | Screw | H M10 X 80 / 26 CL 8.8 ZB | 8 | 2301231860 | |
| 29 | Ecrou | Nut | NYLSTOP M10 CL 8 ZB | 8 | 2349221510 | |
| 30 | Adhésif anti-dérapant | Non-slip adhesive tape | | | 2420104400 | |
| 31 | Vis | Screw | H M8 X 50/ 50 CL 8.8 ZB | 10 | 2331231490 | |
| 32 | Barre de guidage | Guide bar | | 1 | 118C148670 | |
| 33 | Embout | End fitting | | 6 | 2420505880 | |
| 34 | Biellette | Link rod | 1 | 2 | 120C150930 | |
| 35 | Biellette | Link rod | 2 | 4 | 120C150910 | |
| 36 | Biellette | Link rod | 3 | 2 | 120C150950 | |
| 37 | Biellette | Link rod | 4 | 2 | 120C150960 | |
| 38 | Barre supérieure plate-forme | Platform top bar | | 2 | 120C150940 | |
| 39 | Marche pied | Step | | 1 | 120C151050 | |
| 40 | Tube droit | Right tube | | 1 | 120C150990 | |
| 41 | Tube gauche | Left tube | | 1 | 120C151000 | |
| 42 | Entretoise | Brace | | 1 | 120B156860 | |
| 43 | Garde corps | Protection | | 1 | 120B156870 | |



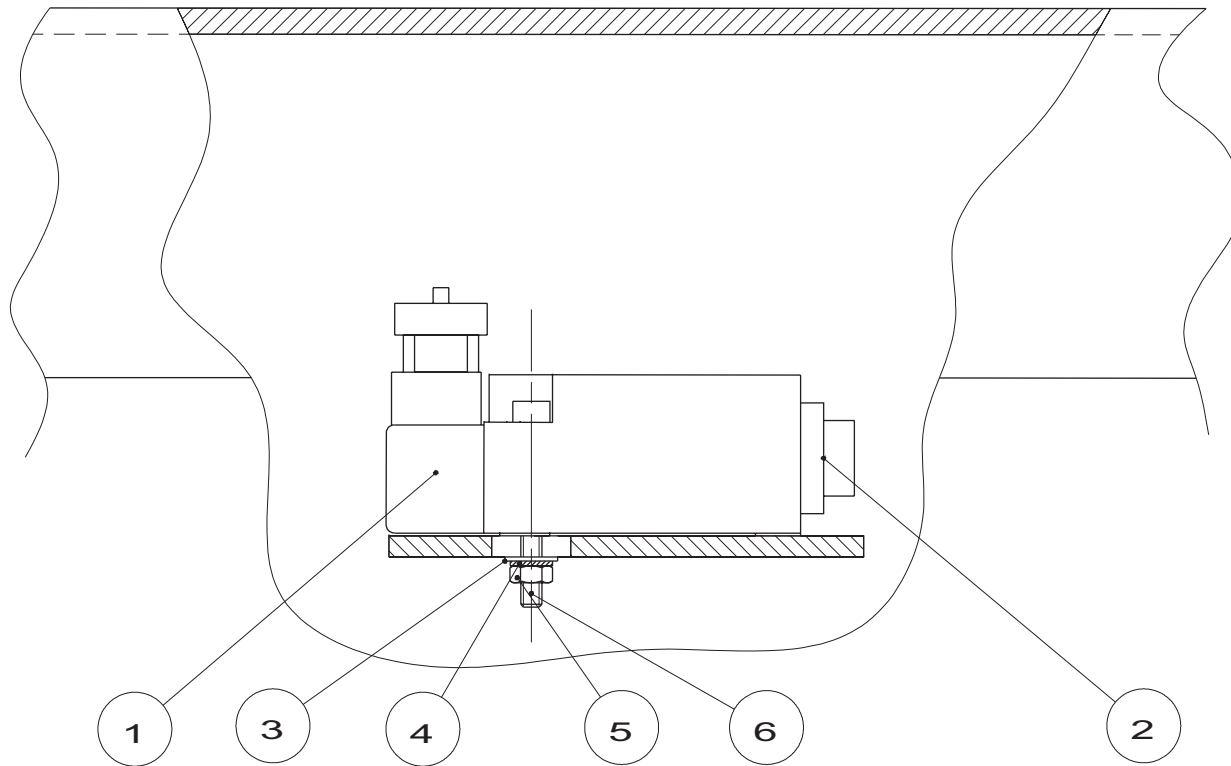
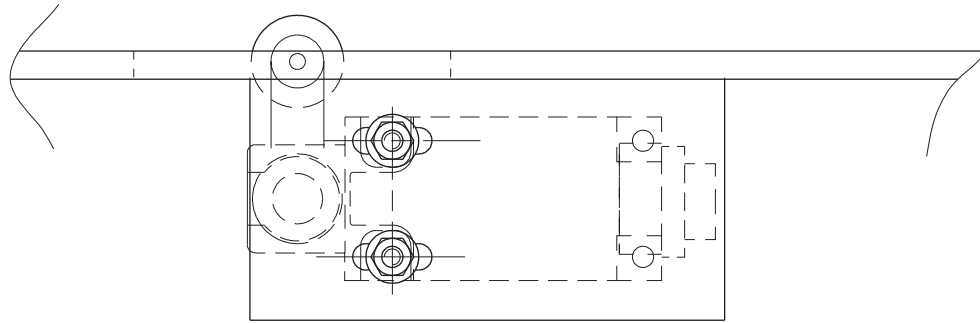
A14364 b



D16079

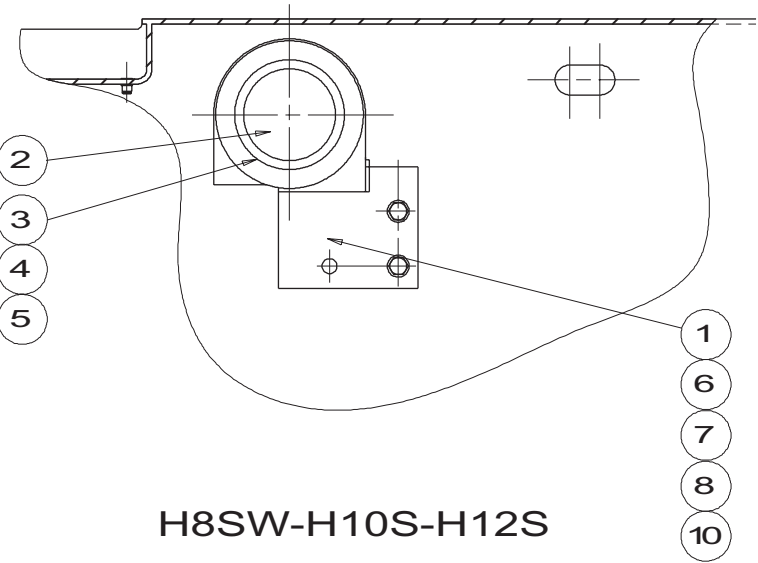
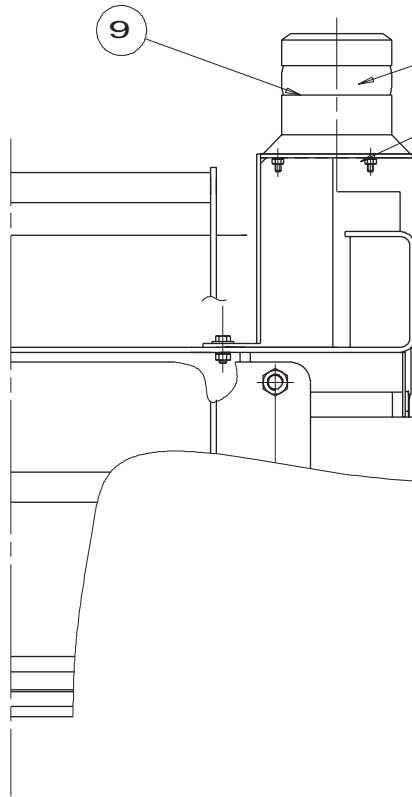
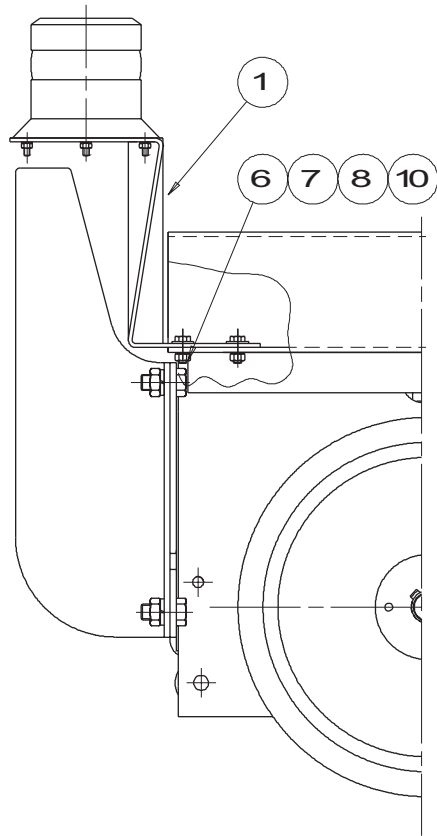


E501



C15043

H8SN



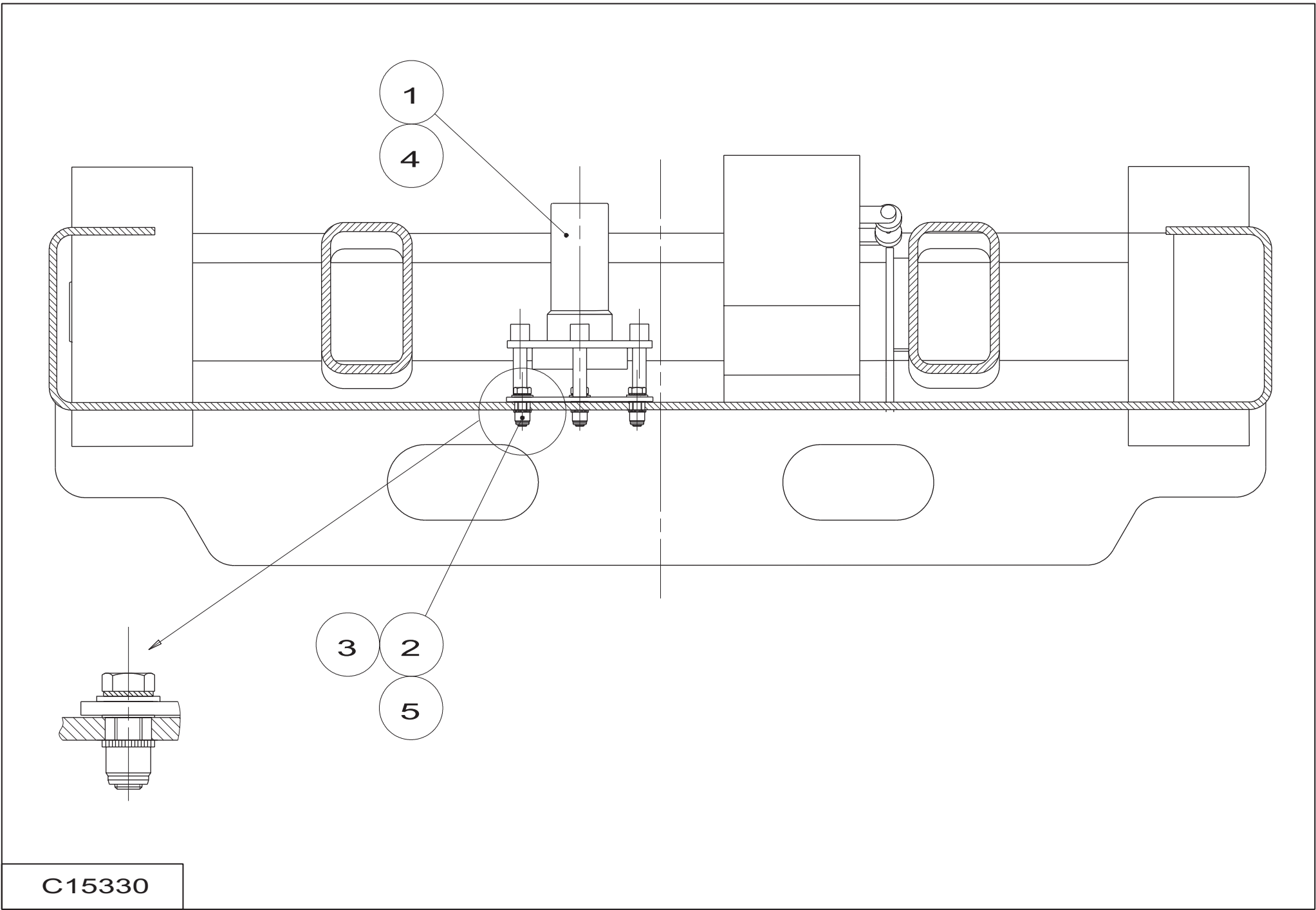
H8SW-H10S-H12S

C15339

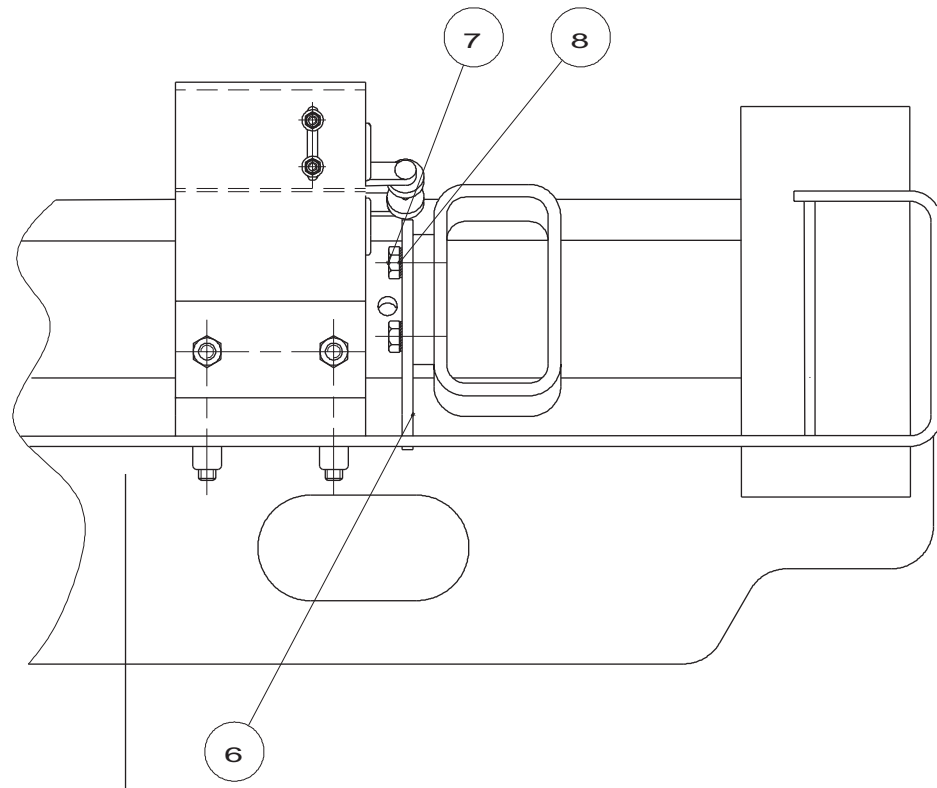
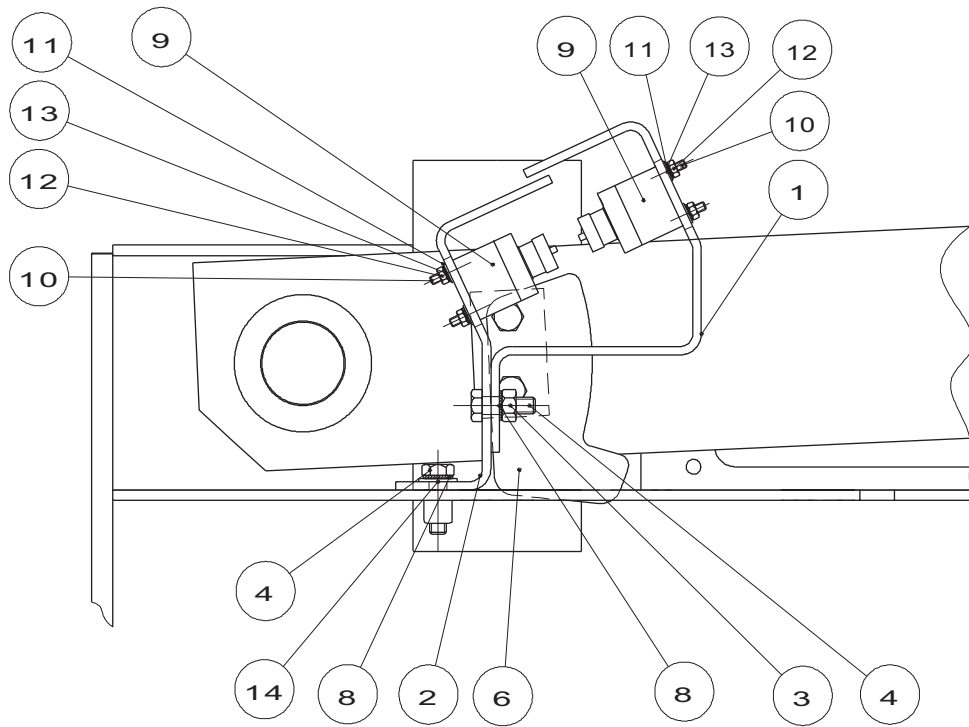
▲ **Feu à éclat**
Flashing light

◀ **D3** ▶

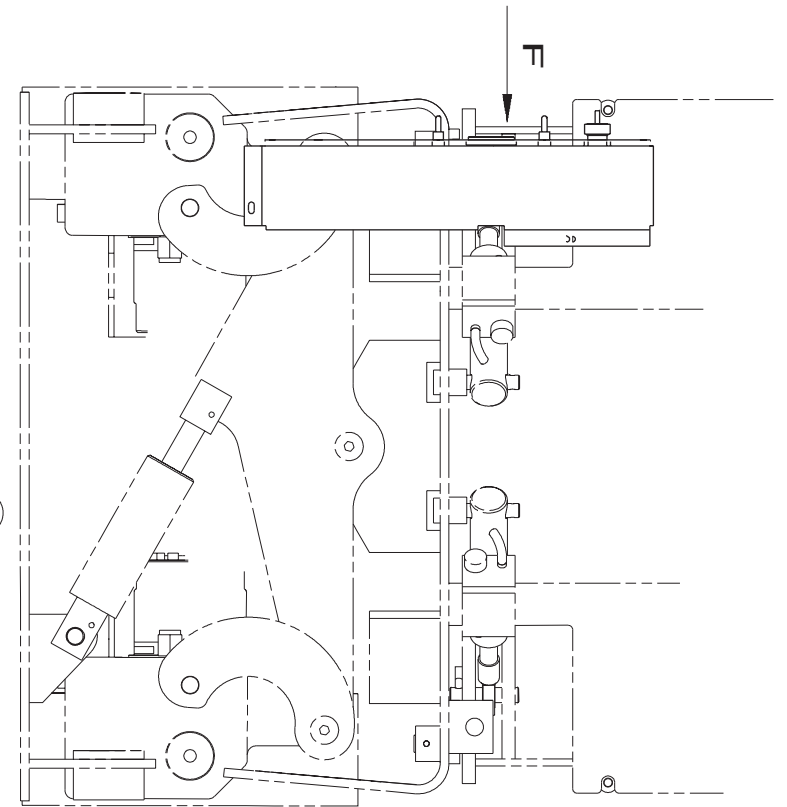
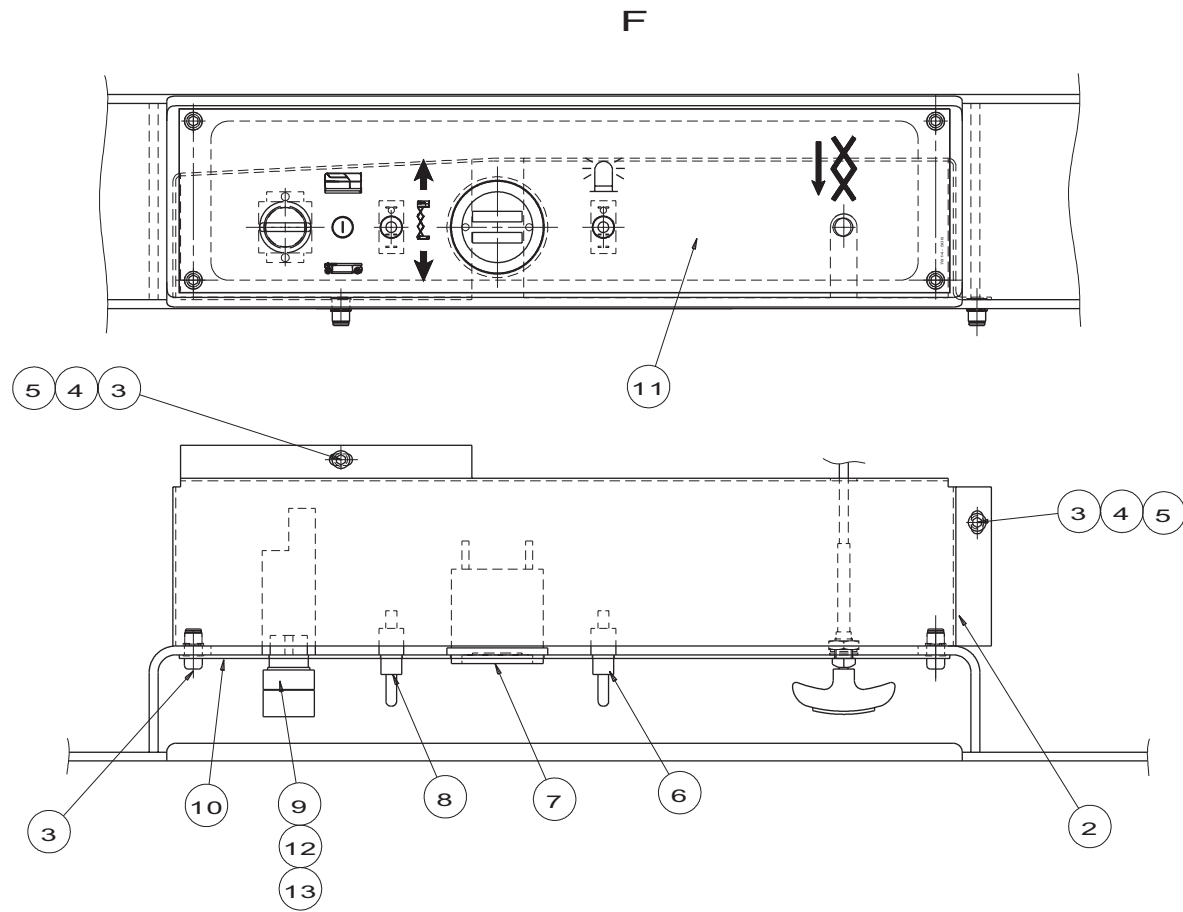
| Rep. | Désignation | Designation | Specification | Qty | Code | Up to / jusqu'à |
|------|------------------|-------------------|---------------------------|-----|------------|-----------------|
| | Douille | Socket | | 2 | 2440404030 | |
| | Boîtier | Box | 2x1 | 1 | 2440203330 | |
| | Rondelle plate | Flat washer | M 10 U ZB | 2 | 2351112090 | |
| | Faisceau | Bundle | | 1 | 118C156370 | |
| 1 | Support | Holder | | 1 | 118C152460 | |
| 2 | Feu à éclat | Flashing light | 15W | 1 | 2440601490 | |
| 3 | Vis | Screw | HM 5 X 16 / 16 CL 8.8 ZB | 3 | 2331231210 | |
| 4 | Rondelle à dents | Tooth lock washer | DE 5 ZB | 3 | 2351301060 | |
| 5 | Ecrou | Nut | H M5 CL 8 ZB | 3 | 2341221040 | |
| 6 | Vis | Screw | H M10 X 25 / 25 CL 8.8 ZB | 2 | 2331231560 | |
| 7 | Rondelle à dents | Tooth lock washer | DE 10 ZB | 2 | 2351301110 | |
| | | | | | | |
| | | | | | | |
| | | | | | | |
| | | | | | | |
| | | | | | | |
| | | | | | | |
| | | | | | | |
| | | | | | | |
| | | | | | | |
| | | | | | | |
| | | | | | | |
| | | | | | | |
| | | | | | | |
| | | | | | | |
| | | | | | | |
| | | | | | | |
| | | | | | | |
| | | | | | | |
| | | | | | | |
| | | | | | | |
| | | | | | | |
| | | | | | | |
| | | | | | | |
| | | | | | | |
| | | | | | | |
| | | | | | | |
| | | | | | | |
| | | | | | | |
| | | | | | | |
| | | | | | | |
| | | | | | | |
| | | | | | | |



C15330



B15799 a

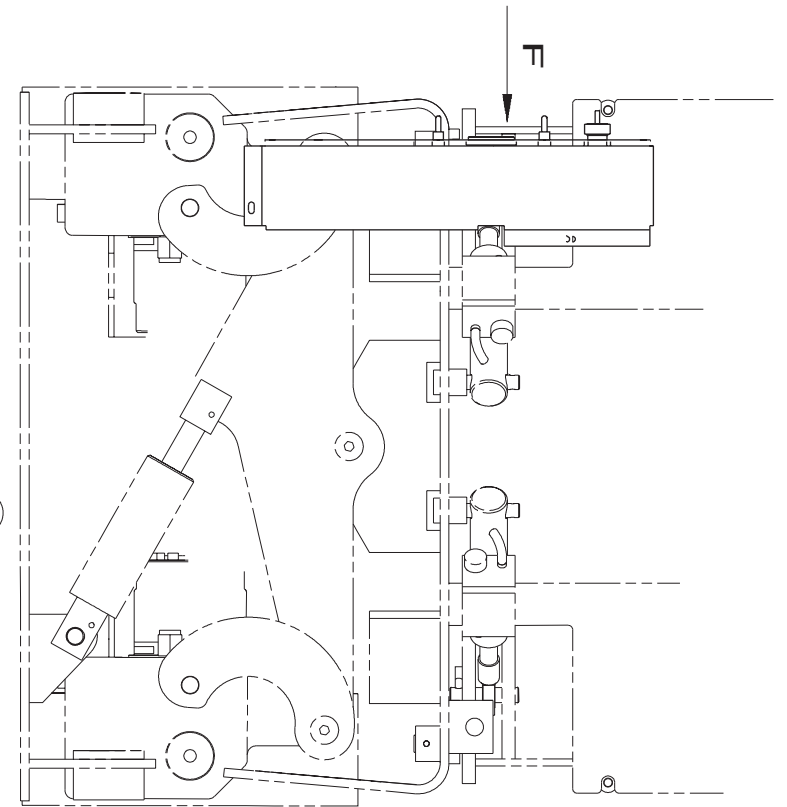
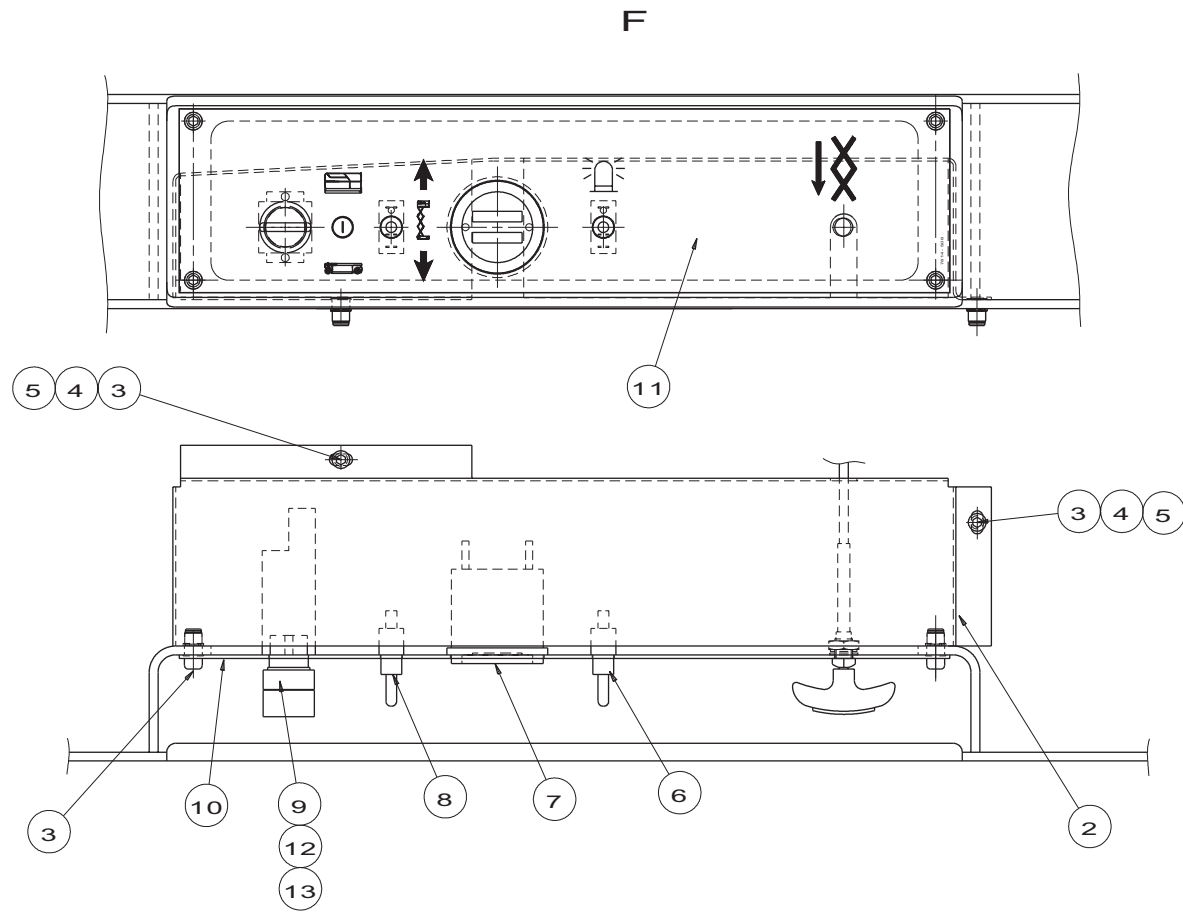


B15805

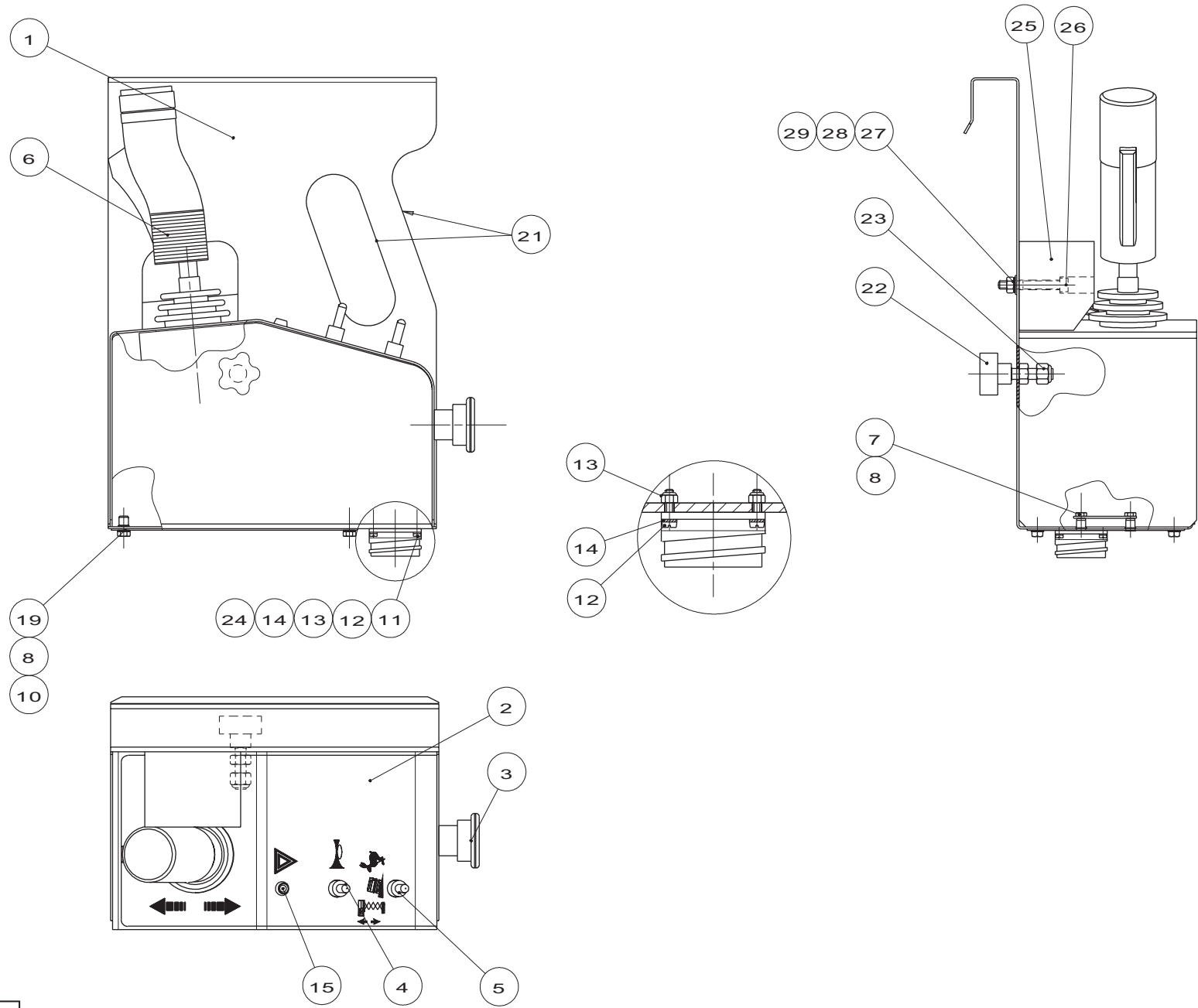
▲ **Coffret Partie basse**
Bottom part box

◀ **D6**
1/2 ▶

| Rep. | Désignation | Designation | Specification | Qty | Code | Up to / jusqu'à |
|------|----------------------------------|---------------------------|---------------------------|-----|------------|-----------------|
| | Vis | Screw | CHC M6 X 20/20 CL 8.8 ZB | 6 | 2308231490 | |
| | Rondelle plate | Flat washer | M 6 U ZB | 2 | 2351112050 | |
| | Rondelle à dents | Tooth lock washer | DE 6 ZB | 2 | 2351301070 | |
| | Contact auxiliaire | Auxiliary contact | | 2 | 2440318780 | |
| | Bouton tournant | Rotary knob | | 1 | 2442009370 | |
| | Capot | hood | | 1 | 118C153400 | |
| 1 | Support | Holder | | 1 | 118C150370 | |
| 2 | Interrupteur unipolaire à levier | Single-pole toggle switch | 3637NF/2 | 1 | 2440901620 | |
| 4 | Indicateur | Indicator | | 1 | 2440904110 | |
| 5 | Etiquette "Pupitre bas" | « Bottom panel » label | | 1 | 3078145060 | |
| 6 | Interrupteur | Switch | | | 2440901650 | |
| 8 | Rondelle de positionnement | Positioning washer | | 1 | 2441806020 | |
| 9 | Corps complet | Complete body | Ref: ZB5 AZ 103 | 1 | 2440314330 | |
| 10 | Variateur | Variable speed unit | 24V/400AMP | 1 | 2442201640 | |
| 11 | Porte fusible | Fuse holder | MEGA FUSE | 1 | 2441608140 | |
| 15 | Fusible | Fuse | MEGA FUSE 250 AMP | 1 | 2440602480 | |
| 17 | Chargeur de batterie | Battery charger | 24V/30AMP | 1 | 2440316190 | |
| 21 | Coupe batterie | Battery cut-off | | 1 | 2440306180 | |
| 22 | Support | Holder | | 1 | 118B157970 | |
| 25 | Rondelle à dents | Tooth lock washer | DE 5 ZB | 6 | 2351301060 | |
| 26 | Ecrou | Nut | H M5 CL 8 ZB | 6 | 2341221040 | |
| 27 | Vis | Screw | F/90 M5 X 15/15 CL 4.8 ZB | 6 | 2303329060 | |
| 28 | Rondelle plate | Flat washer | M 5 U ZB | 5 | 2351112040 | |
| 29 | Avertisseur | Buzzer | 24V | 1 | 2440103120 | |
| 34 | Vis | Screw | H M10 X 25 / 25 CL 8.8 ZB | 2 | 2331231560 | |
| 35 | Rondelle à dents | Tooth lock washer | DE 10 ZB | 2 | 2351301110 | |



B15805

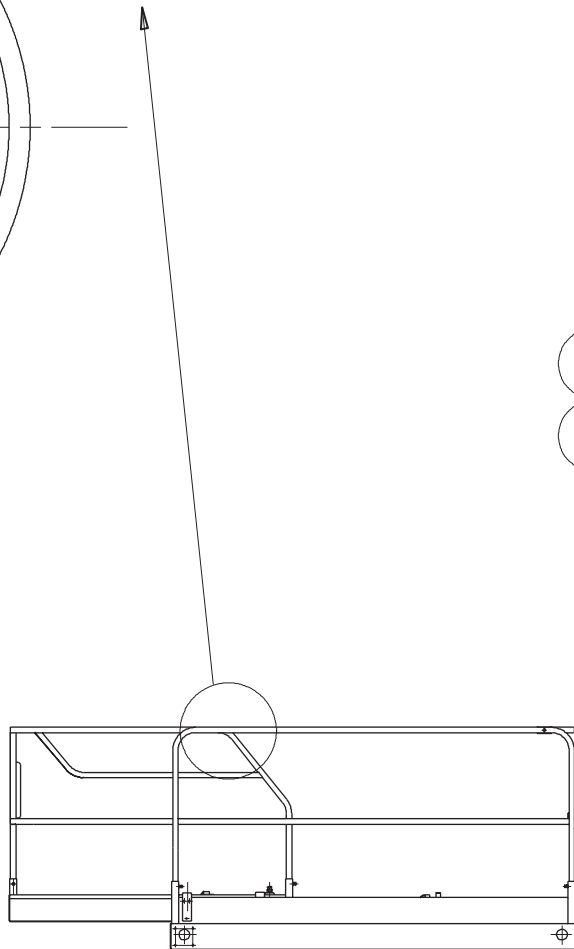
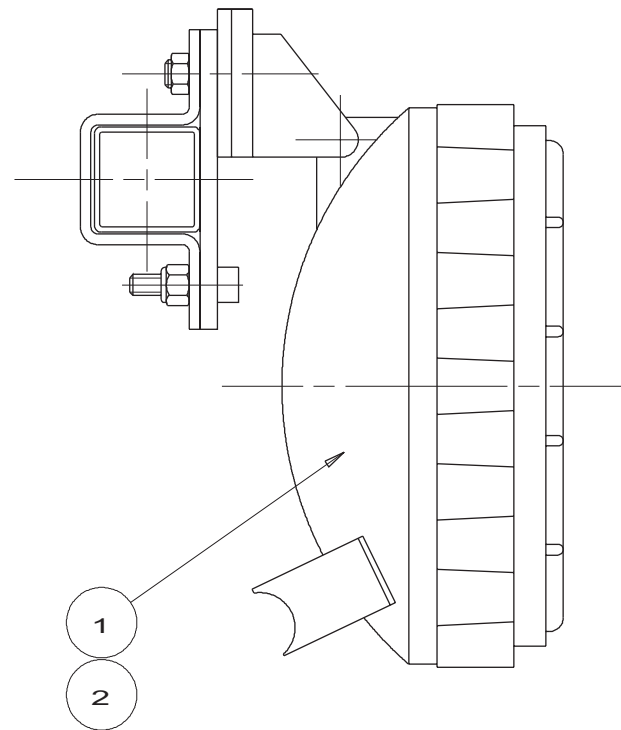
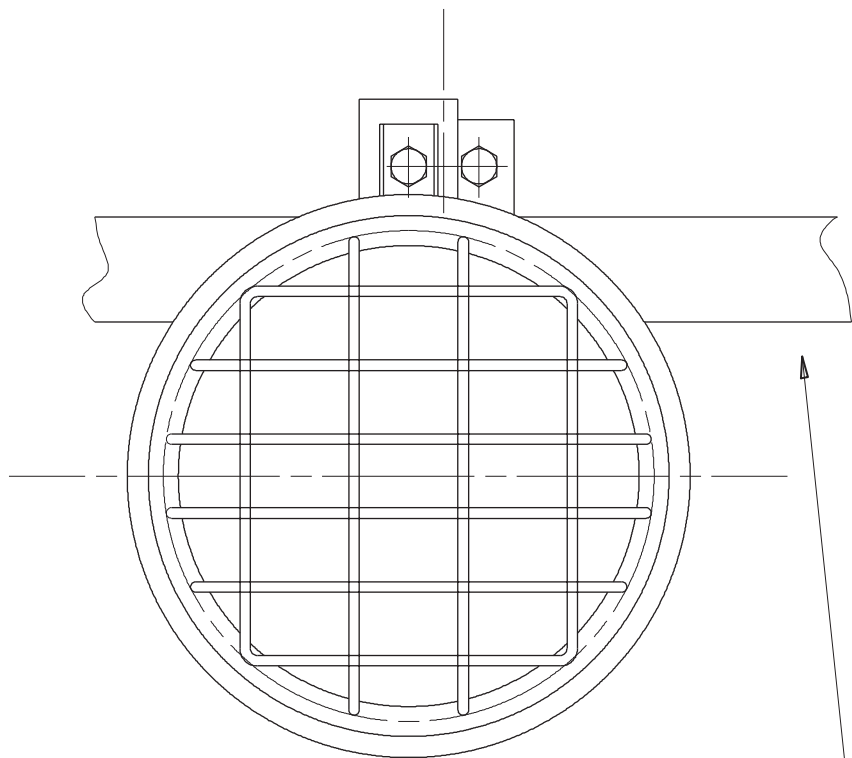


B15794

▲ **Coffret nacelle**
Gantry cabinet

◀ **D7** ▶

| Rep. | Désignation | Designation | Specification | Qty | Code | Up to / jusqu'à |
|------|----------------------------------|---------------------------|--------------------------|-----|------------|-----------------|
| | Rondelle de positionnement | Positioning washer | | 1 | 2441806020 | |
| | Faisceau | Bundle | | 1 | 118B157950 | |
| 1 | Boîtier | Box | | 1 | 118A144080 | |
| 2 | Etiquette "Pupitre nacelle" | « Gantry panel » label | | 1 | 3078145090 | |
| 3 | Bouton coup de poing | Mushroom-headed button | | 1 | 2440206670 | |
| 4 | Interrupteur unipolaire à levier | Single-pole toggle switch | 3635NF/2 | 1 | 2440901640 | |
| 5 | Interrupteur | Switch | | 1 | 2440901630 | |
| 6 | Manipulateur 1 axe | Single-axis controller | | 1 | 2441305220 | |
| 7 | Carte Serial | Serial board | | 1 | 2440316580 | |
| 8 | Vis | Screw | HM 4 X 10 / 10 CL 8.8 ZB | 8 | 2331231100 | |
| 10 | Rondelle à dents | Tooth lock washer | DE 4 ZB | 4 | 2351301050 | |
| 11 | Embase | Base | 16x1 | | 2440502970 | |
| 12 | Vis | Screw | C M3 X 12 CL 4.8 ZB | 4 | 2306311030 | |
| 13 | Ecrou | Nut | H M3 CL 8 ZB | 4 | 2341221010 | |
| 14 | Rondelle à dents | Tooth lock washer | DE 3 ZB | 4 | 2351301030 | |
| 15 | Diode | Diode | LED 24V | 1 | 2442201550 | |
| 19 | Tôle | Plate | | 1 | 118C153310 | |
| 21 | Galon non feutré | Braid (not felt) | DRAFTEX | | 2420701180 | |
| 22 | Volant à lobes | Lobe wheel | | 1 | 2421608690 | |
| 23 | Ecrou | Nut | NYLSTOP M8 CL 8 ZB | 1 | 2349221500 | |
| 25 | Appui-main | Maulstick | | 1 | 118D160410 | |
| 26 | Vis | Screw | CHC M6 X 40/24 CL 8.8 ZB | 1 | 2308231530 | |
| 27 | Rondelle plate | Flat washer | M 6 U ZB | 1 | 2351112050 | |
| 28 | Rondelle à dents | Tooth lock washer | DE 6 ZB | 1 | 2351301070 | |
| 29 | Ecrou | Nut | H M6 CL 8 ZB | 1 | 2341221050 | |
| | | | | | | |

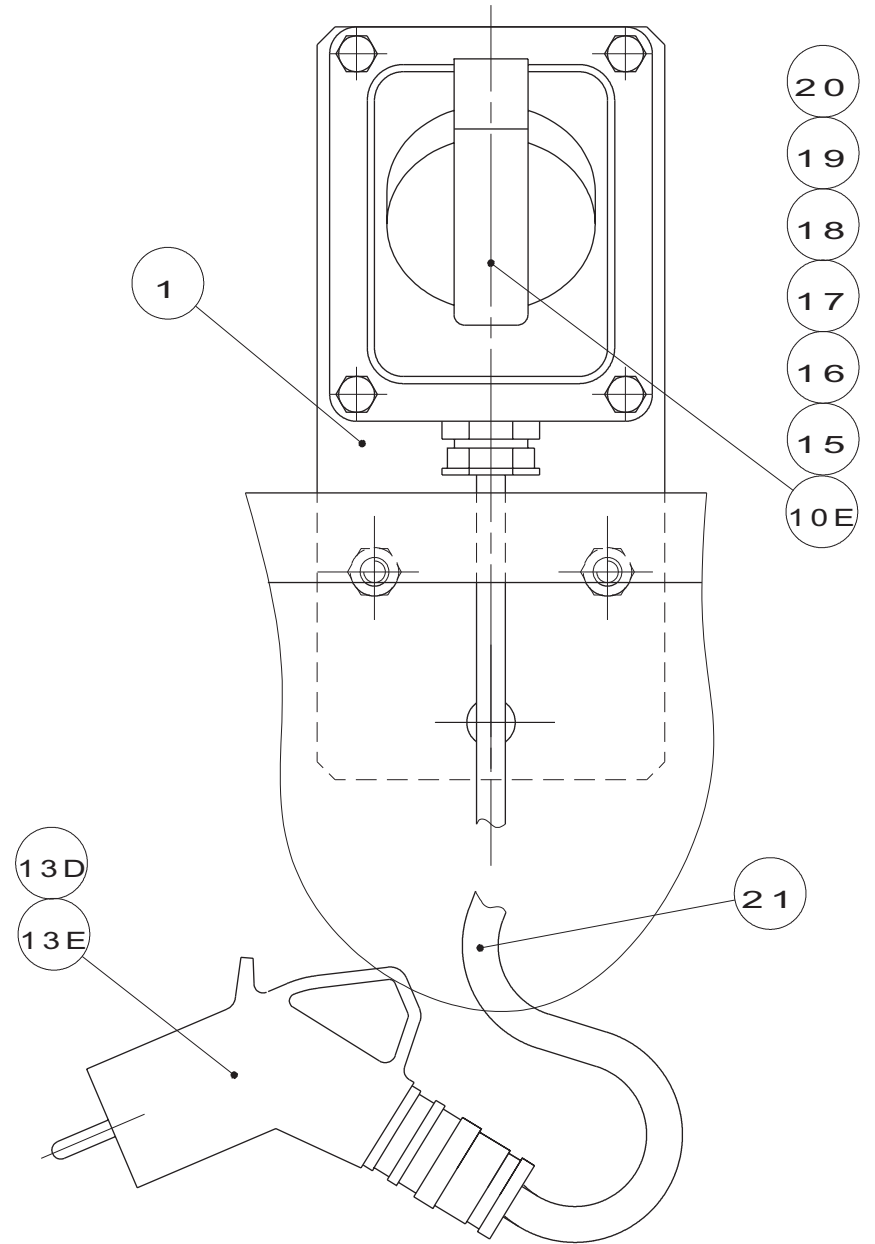
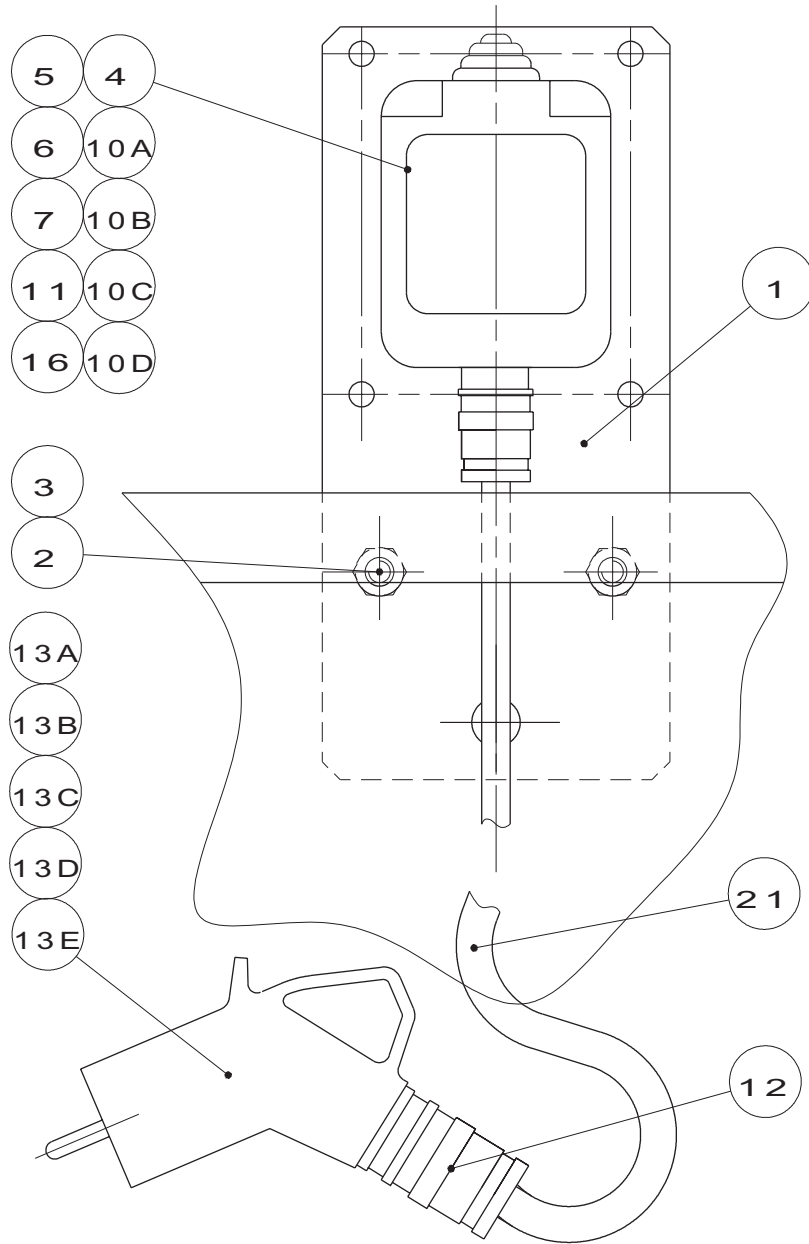


C15338

▲ **Projecteur
Spotlight**

◀ **D8** ▶

| Rep. | Désignation | Designation | Specification | Qty | Code | Up to / jusqu'à |
|------|-------------|-------------|---------------|-----|------------|-----------------|
| 1 | Projecteur | Spotlight | 24V | 1 | 2441603160 | |
| 2 | Lampe | Lamp | 24V 70W 64156 | 1 | 2441201630 | |
| 7 | Faisceau | Bundle | | 1 | 121C153350 | |
| | | | | | | |
| | | | | | | |
| | | | | | | |
| | | | | | | |
| | | | | | | |
| | | | | | | |
| | | | | | | |
| | | | | | | |
| | | | | | | |
| | | | | | | |
| | | | | | | |
| | | | | | | |
| | | | | | | |
| | | | | | | |
| | | | | | | |
| | | | | | | |
| | | | | | | |
| | | | | | | |

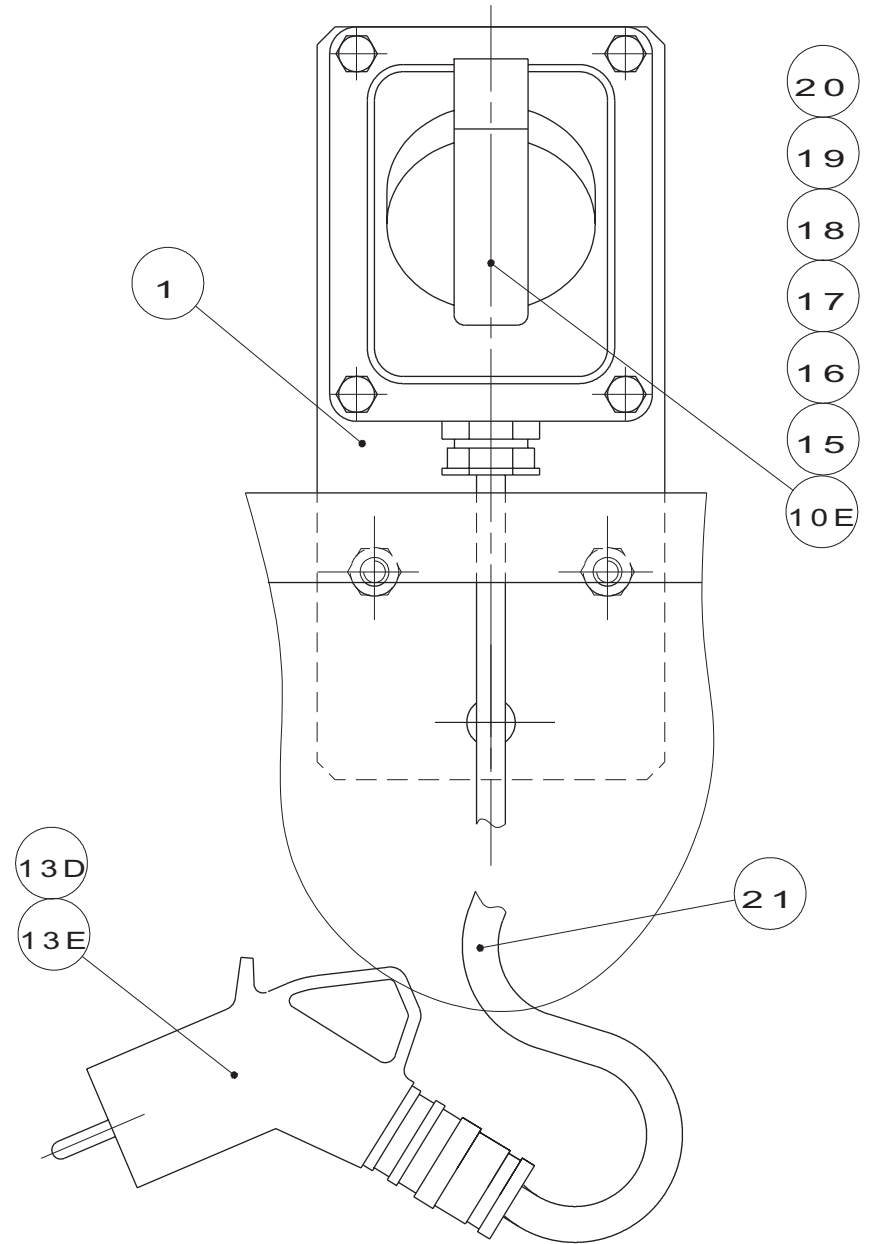
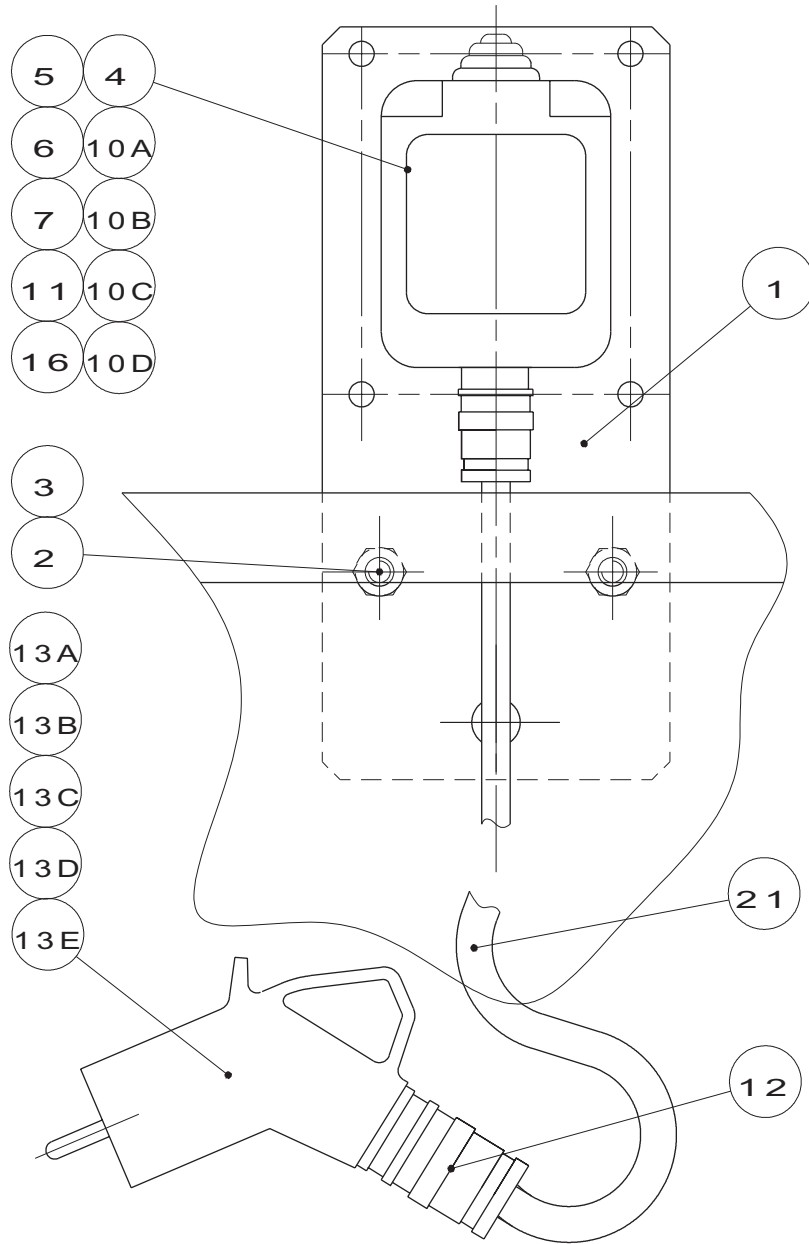


C15069

**▲ Alimentation secteur
Mains supply**

◀ **D9** ▶

| Rep. | Désignation | Designation | Specification | Qty | Code | Up to / jusqu'à |
|------|-----------------------|----------------------|--------------------------|-----|------------|-----------------|
| 1 | Support | Holder | | 1 | 118C150650 | |
| 2 | Rondelle à dents | Tooth lock washer | DE 8 ZB | 3 | 2351301090 | |
| 3 | Vis | Screw | H M8 X 20 / 20 CL 8.8 ZB | 3 | 2331231420 | |
| 4 | Boîtier | Box | | 1 | 2440203430 | |
| 5 | Vis | Screw | HM 4 X 20 / 20 CL 8.8 ZB | 2 | 2331231120 | |
| 6 | Rondelle à dents | Tooth lock washer | DE 4 ZB | 2 | 2351301050 | |
| 7 | Ecrou | Nut | H M4 CL 8 ZB | 2 | 2341221030 | |
| 10A | Prise | Plug socket | 2P+T - 10/16A FR | 1 | 2441605540 | |
| 10B | Prise | Plug socket | 2P+T-13A UK | 1 | 2441605070 | |
| 10C | Prise | Plug socket | 2P+T-16A SCHUKO | 1 | 2441605060 | |
| 10D | Prise | Plug socket | 2P+T-15A-125V USA | 1 | 2441605180 | |
| 11 | Contre-écrou | Lock nut | CE 16 In | 1 | 2420302030 | |
| 12 | Presse-étoupe | Packing box | 13/9 | 1 | 2421607690 | |
| 13A | Fiche sortie inclinée | Inclined output plug | FR | 1 | 2440603090 | |
| 13B | Fiche | Plug | 13A UK | 1 | 2440603750 | |
| 13C | Fiche | Plug | 2P BLC DTE | 1 | 2440603740 | |
| 13D | Fiche | Plug | 2P+T USA | 1 | 2440603760 | |
| 14 | Obturateur | Seal | | 1 | 2441500040 | |
| 16 | Réducteur | Reducer | 16/ 9 REF: G6163006 | 1 | 2441807360 | |
| 21 | Câble | Cable | H07RNF | 1 | 2440311610 | |
| | | | | | | |
| | | | | | | |
| | | | | | | |
| | | | | | | |
| | | | | | | |
| | | | | | | |
| | | | | | | |

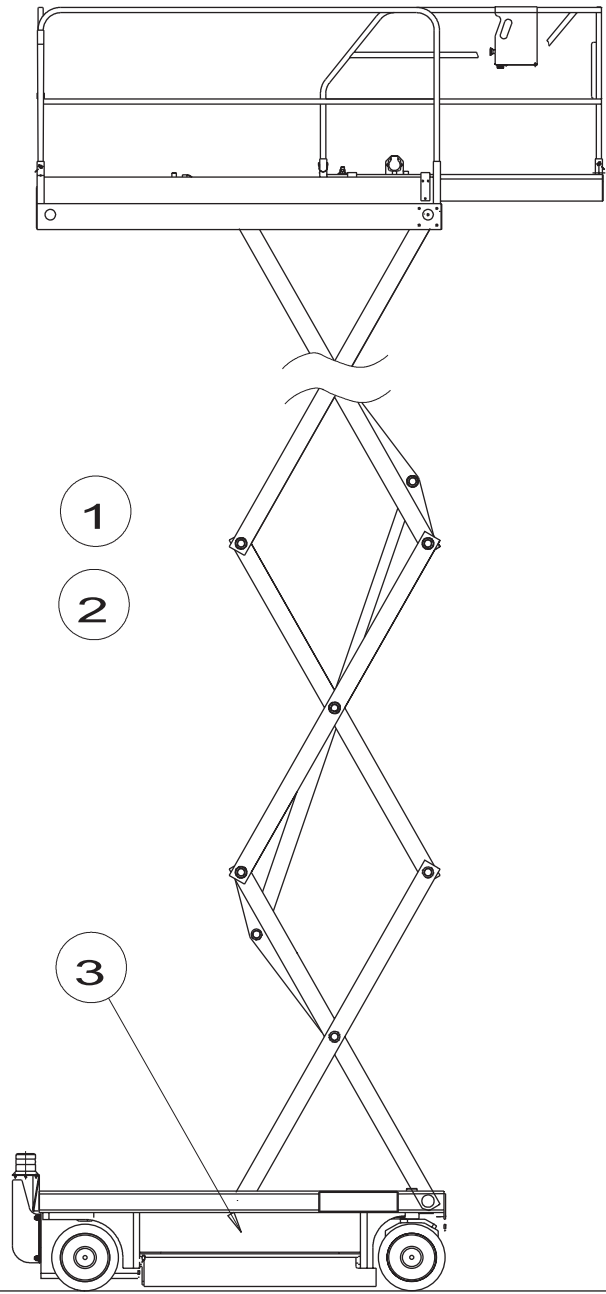


C15069

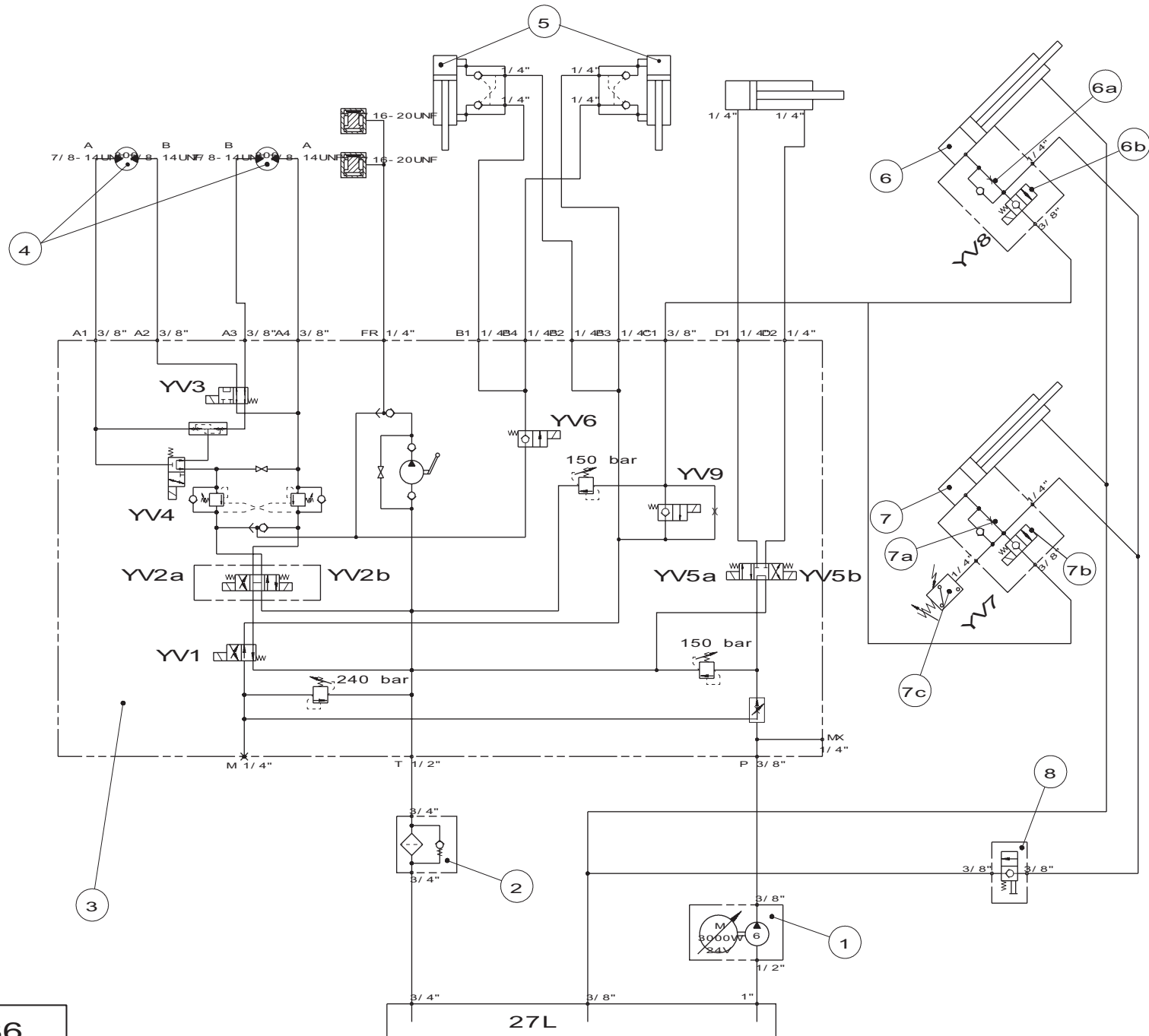
**▲ Alimentation secteur
Mains supply**

◀ D10 ▶

| Rep. | Désignation | Designation | Specification | Qty | Code | Up to / jusqu'à |
|------|------------------|-------------------|--------------------------|-----|------------|-----------------|
| 1 | Support | Holder | | 1 | 118C150650 | |
| 2 | Rondelle à dents | Tooth lock washer | DE 8 ZB | 3 | 2351301090 | |
| 3 | Vis | Screw | H M8 X 20 / 20 CL 8.8 ZB | 3 | 2331231420 | |
| 10 | Prise | Plug socket | 16A 2P+T 220V | 1 | 2441605190 | |
| 13 | Fiche | Plug | 16A 2P+T 220V | 1 | 2440603770 | |
| 15 | Réducteur | Reducer | 21/16 G6211004 | 1 | 2421802260 | |
| 16 | Réducteur | Reducer | 16/ 9 REF: G6163006 | 4 | 2441807360 | |
| 17 | Vis | Screw | HM 6 X 20 / 20 CL 8.8 ZB | 4 | 2331231330 | |
| 18 | Rondelle à dents | Tooth lock washer | DE 6 ZB | 4 | 2351301070 | |
| 19 | Ecrou | Nut | H M6 CL 8 ZB | 1 | 2341221050 | |
| 20 | Socle | Base | PC 16A 2P+T 220 | 1 | 2441904280 | |
| 21 | Câble | Cable | H07RNF | 1 | 2440311610 | |
| | | | | | | |
| | | | | | | |
| | | | | | | |
| | | | | | | |
| | | | | | | |
| | | | | | | |
| | | | | | | |
| | | | | | | |
| | | | | | | |
| | | | | | | |
| | | | | | | |
| | | | | | | |
| | | | | | | |
| | | | | | | |
| | | | | | | |
| | | | | | | |
| | | | | | | |
| | | | | | | |
| | | | | | | |
| | | | | | | |
| | | | | | | |
| | | | | | | |
| | | | | | | |
| | | | | | | |
| | | | | | | |
| | | | | | | |
| | | | | | | |

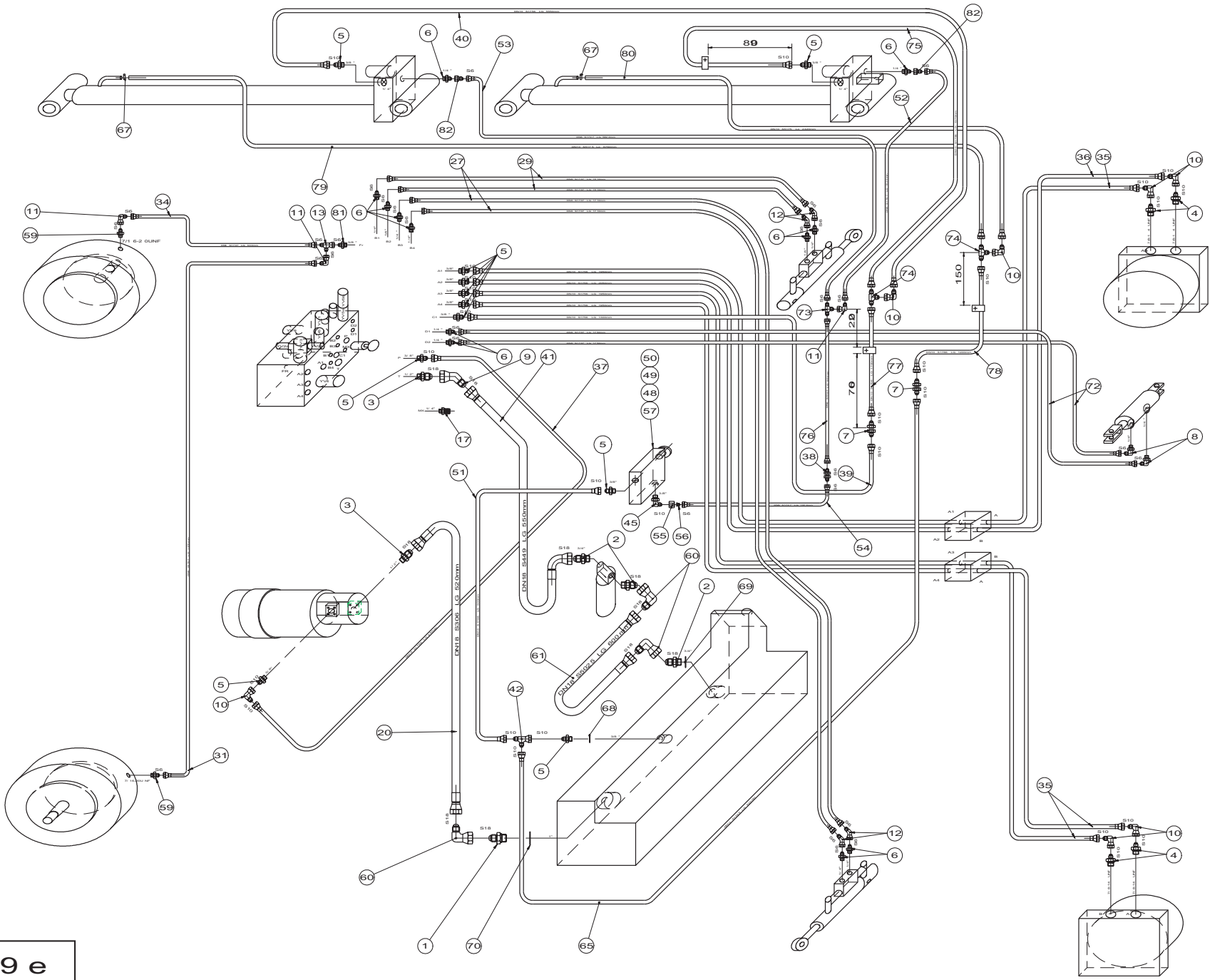


D16080



B15786

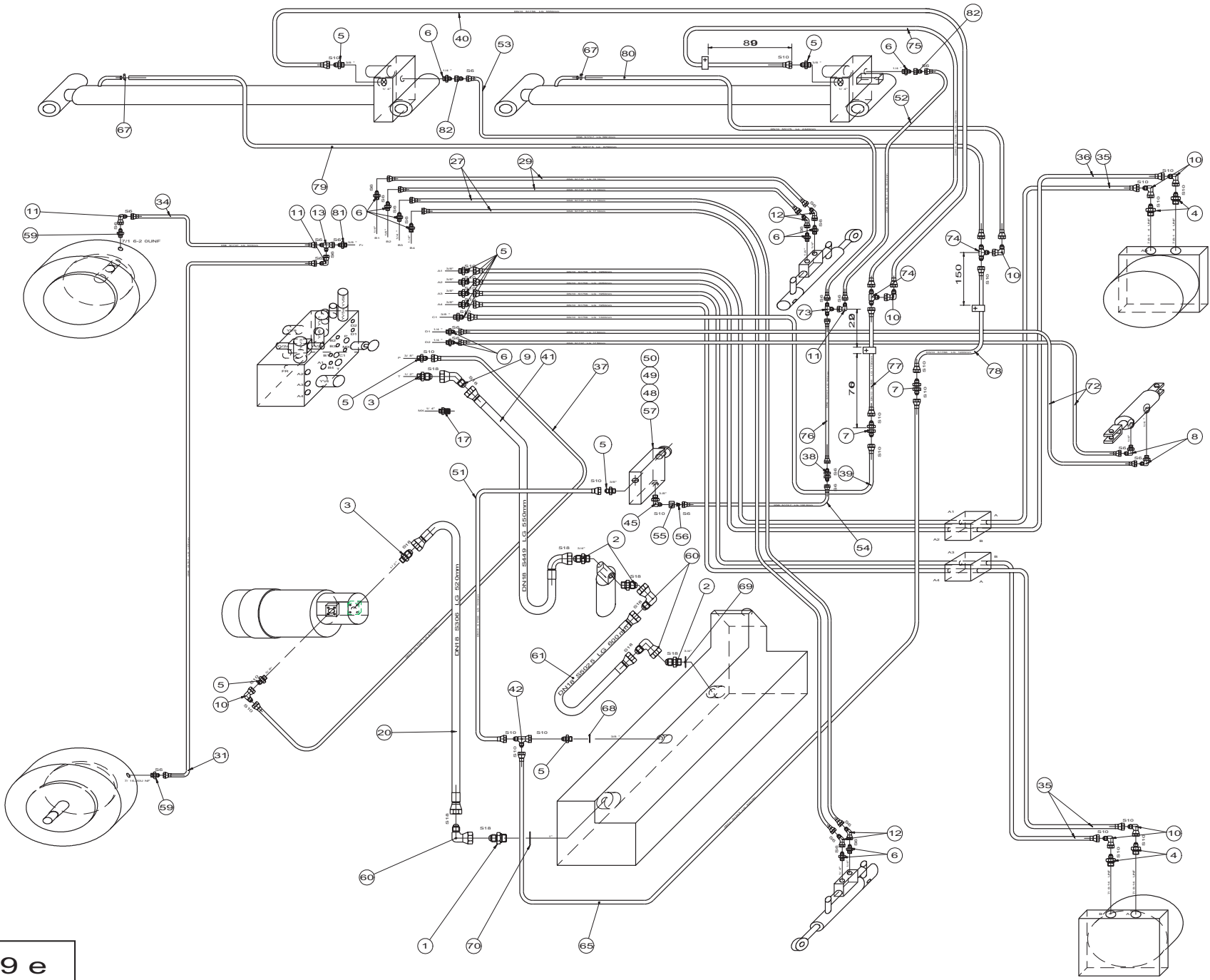
27L



A14399 e

▲ **Installation hydraulique**
Hydraulic installation

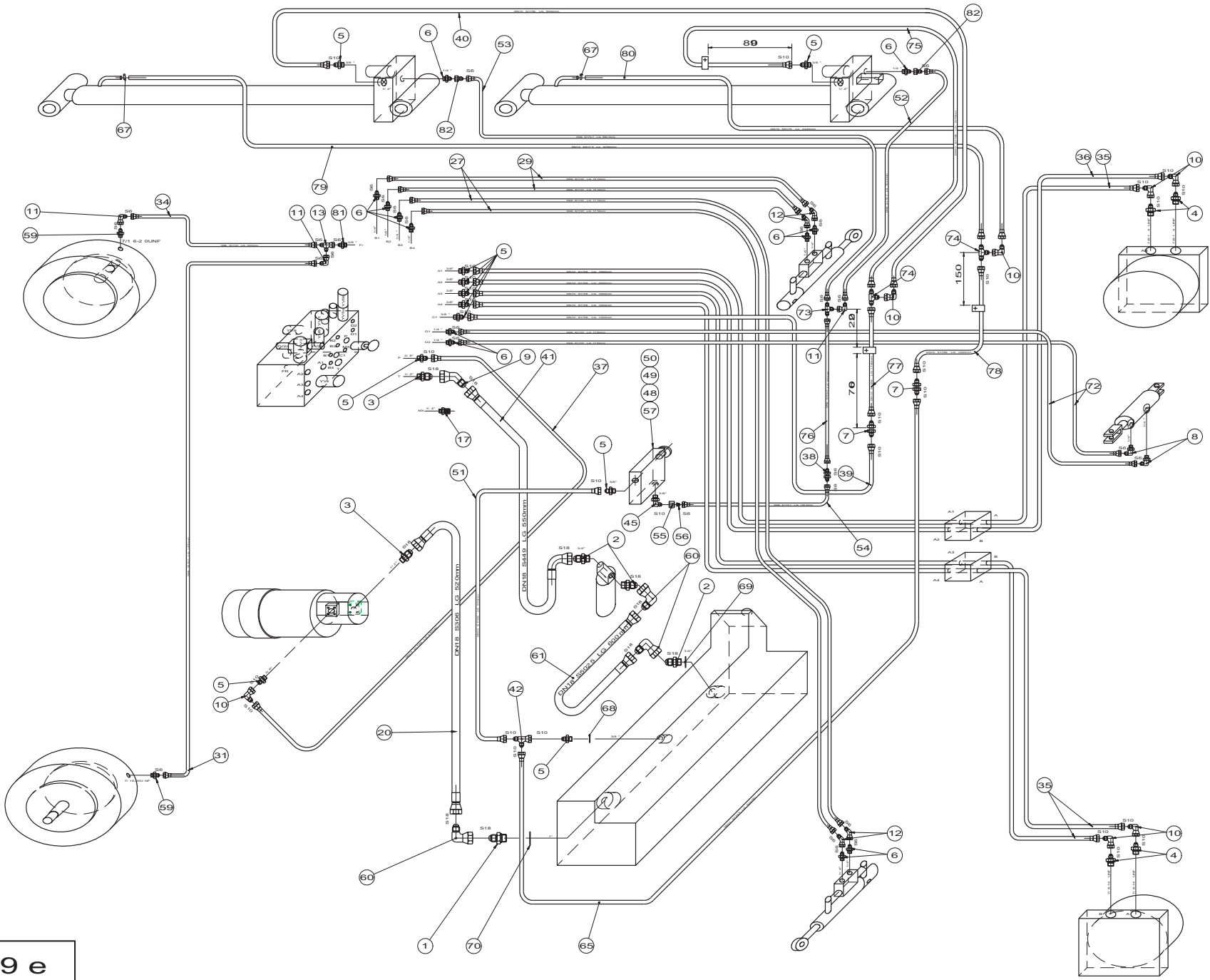
| Rep. | Désignation | Designation | Specification | Qty | Code | Up to / jusqu'à |
|------|---------------------|--------------------|-----------------------|-----|------------|---------------------|
| | Union | Union piece | JIC 37 BS | 1 | 2369117000 | |
| 1 | Union | Union piece | M.JIC37 (18)M 1 BSPP | 1 | 2369110220 | |
| 2 | Union | Union piece | JIC 37 BS | 3 | 2369117210 | |
| 3 | Union | Union piece | JIC 37 BS | 2 | 2369117190 | |
| 4 | Union mâle | Male union piece | JIC37(10)M.7/8-14 UNF | 4 | 2369111430 | |
| 5 | Union | Union piece | JIC 37 BS | 11 | 2369117360 | Qt : 10 for Holland |
| 6 | Union | Union piece | JIC 37 BS | 13 | 2369117120 | Qt : 14 for Holland |
| 7 | Union égale | Union piece | TC M.JIC 37 (10) | 2 | 2369109100 | |
| 8 | Coude | Bend | JIC 37 90° | 2 | 2369132090 | |
| 9 | Coude égal tournant | Rotating even bend | 135° M-F-JIC37(18) | 1 | 2369136200 | |
| 10 | Coude égal | Even bend | JIC 37 90° | 7 | 2369135210 | Qt : 8 for Holland |
| 11 | Coude égal | Even bend | JIC 37 90° | 3 | 2369135190 | Qt : 2 for Holland |
| 12 | Coude égal tournant | Rotating even bend | 135° M-F-JIC37(6) | 4 | 2369136080 | |
| 13 | Té égal | Equal T-piece | JIC 37 | 2 | 2369147000 | |
| 17 | Prise Minimess | Prise minimess | 1/4' G | 1 | 2441604150 | |
| 20 | Flexible | Flexible | SP. 306 LG 0,520 | 1 | 2369056640 | |
| 21 | Flexible | Flexible | SP.1756 LG.2,530 | 1 | 2369071180 | |
| 27 | Flexible | Flexible | SP.1707 1,710m | 2 | 2369070860 | |
| 29 | Flexible | Flexible | SP.1707 LG 1,510 | 2 | 2369069640 | |
| 31 | Flexible | Flexible | SP.1707 1,370m | 1 | 2369070830 | |
| 34 | Flexible | Flexible | SP.1707 0,500m | 1 | 2369070680 | |
| 35 | Flexible | Flexible | SP.1756 LG 1,950 | 3 | 2369070930 | |
| 36 | Flexible | Flexible | SP.1756 2,050m | 1 | 2369070670 | |
| 37 | Flexible | Flexible | SP.1756(H)LG 0,890 | 1 | 2369069040 | |
| 38 | Union égale | Union piece | JIC 37 | 1 | 2369170150 | Qt : 0 for Holland |
| 39 | Flexible | Flexible | SP.1756 LG 1,300 | 1 | 2369058900 | |



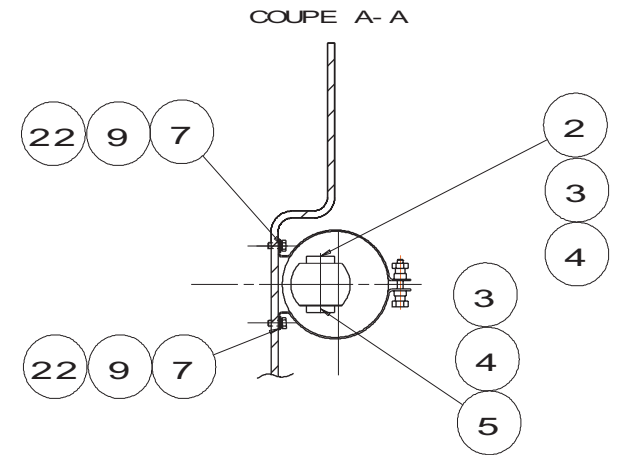
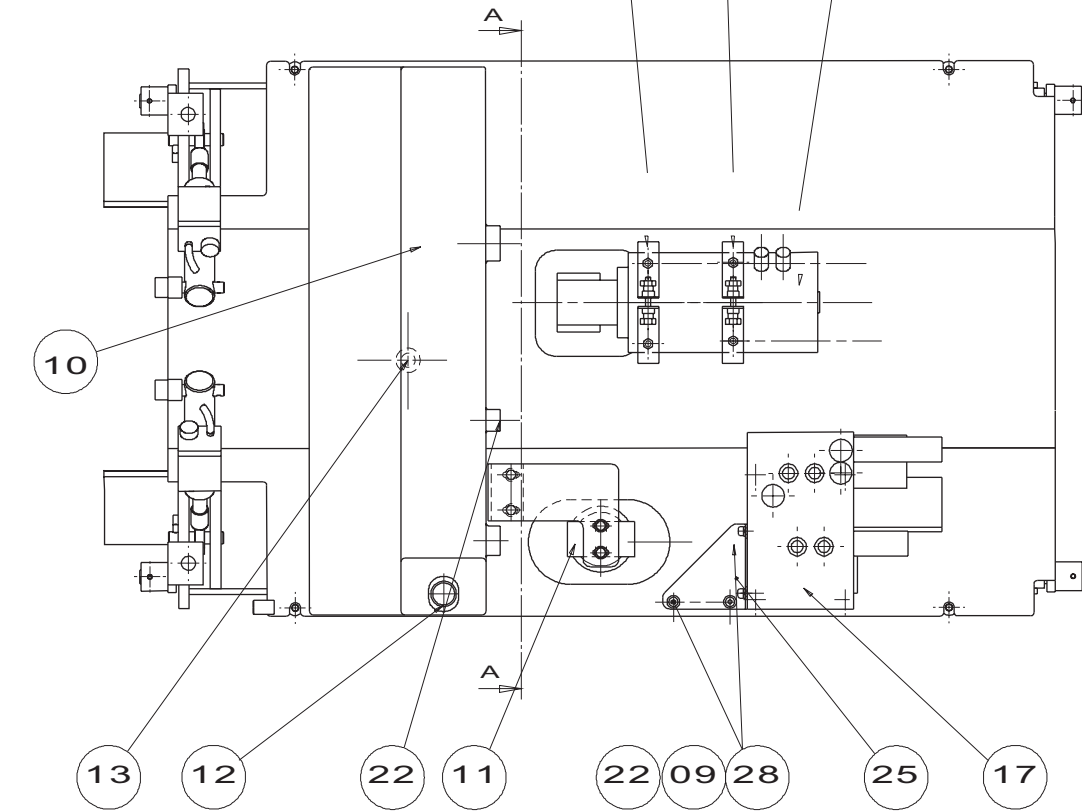
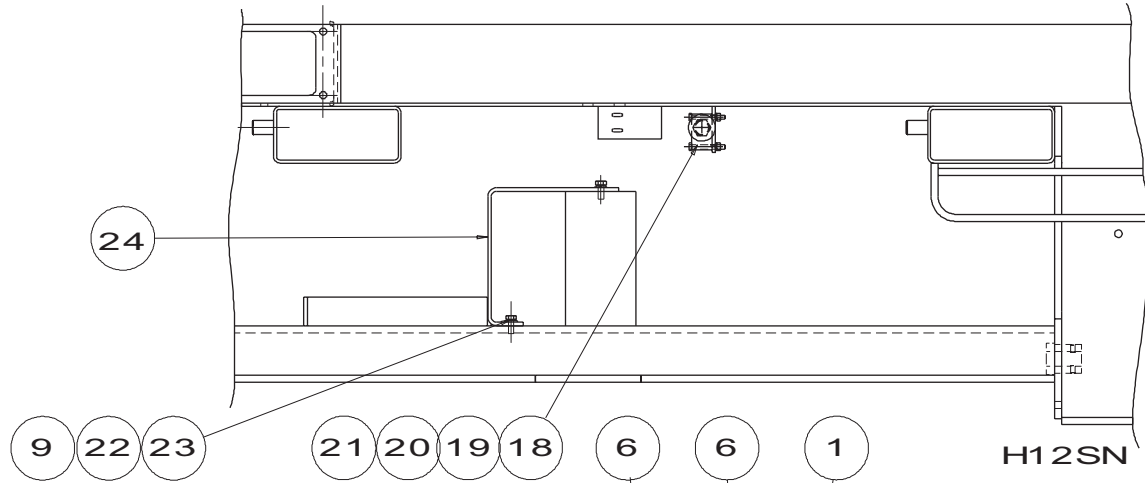
A14399 e

▲ **Installation hydraulique**
Hydraulic installation

| Rep. | Désignation | Designation | Specification | Qty | Code | Up to / jusqu'à |
|------|------------------|------------------|--------------------------|-----|------------|--------------------|
| 40 | Flexible | Flexible | SP.1756 LG 5,550 | 1 | 2369059020 | |
| 41 | Flexible | Flexible | SP. 449 LG 0,550 | 1 | 2369071110 | |
| 42 | Té égal | Equal T-piece | JIC 37 | 3 | 2369147010 | Qt : 2 for Holland |
| 45 | Coude orientable | Adjustable bend | M.JIC37 (10)M3/8 BSPP | 1 | 2369132280 | Qt : 0 for Holland |
| 48 | Ecrou | Nut | H M6 CL 8 ZB | 2 | 2341221050 | Qt : 0 for Holland |
| 49 | Rondelle | Washer | GROWER W 6 ZB | 2 | 2351201050 | Qt : 0 for Holland |
| 50 | Vis | Screw | H M6 X 45 / 18 CL 8.8 ZB | 2 | 2301231470 | Qt : 0 for Holland |
| 51 | Flexible | Flexible | S1786 LG 0,500m | 1 | 2369071120 | Qt : 0 for Holland |
| 52 | Flexible | Flexible | SP.1707 LG 1,510 | 1 | 2369069640 | Qt : 0 for Holland |
| 53 | Flexible | Flexible | SP. S1707 LG 5,820 | 1 | 2369071380 | |
| 54 | Flexible | Flexible | SP.1707 1,300m | 1 | 2369069610 | Qt : 0 for Holland |
| 55 | Ecrou | Nut | PARKER BTXS10 | 1 | 2369192100 | Qt : 0 for Holland |
| 56 | Réduction | Reduction | JIC 37 | 1 | 2369191090 | Qt : 0 for Holland |
| 57 | Robinet | Valve | | 1 | 2426904000 | Qt : 0 for Holland |
| 59 | Union mâle | Male union piece | JIC37(6)M.7/16-20 UNF | 2 | 2369111440 | |
| 60 | Coude | Bend | JIC 37 90° | 3 | 2369135180 | |
| 61 | Flexible | Flexible | SP.5025 0,600m | 1 | 2369068680 | |
| 65 | Flexible | Flexible | SP.1786 0,920m | 1 | 2369069730 | |
| 67 | Collier | Collar | | 2 | 2389002540 | |
| 68 | Rondelle | Washer | Ø23,5/17 ep=2 | 1 | 118D160560 | |
| 69 | Rondelle | Washer | Ø36/27 ep=2 | 1 | 118D160570 | |
| 70 | Rondelle | Washer | Ø41,5/33 ep=2 | 1 | 118D160580 | |
| 72 | Flexible | Flexible | SP.1707(H) 1,750m | 2 | 2369057010 | |
| 73 | Té égal | Equal T-piece | M.JIC37 (6) | 1 | 2369141060 | Qt : 0 for Holland |
| 74 | Té égal | Equal T-piece | M JIC 37 | 2 | 2369141100 | |
| 75 | Flexible | Flexible | | 1 | 2369071390 | |



A14399 e

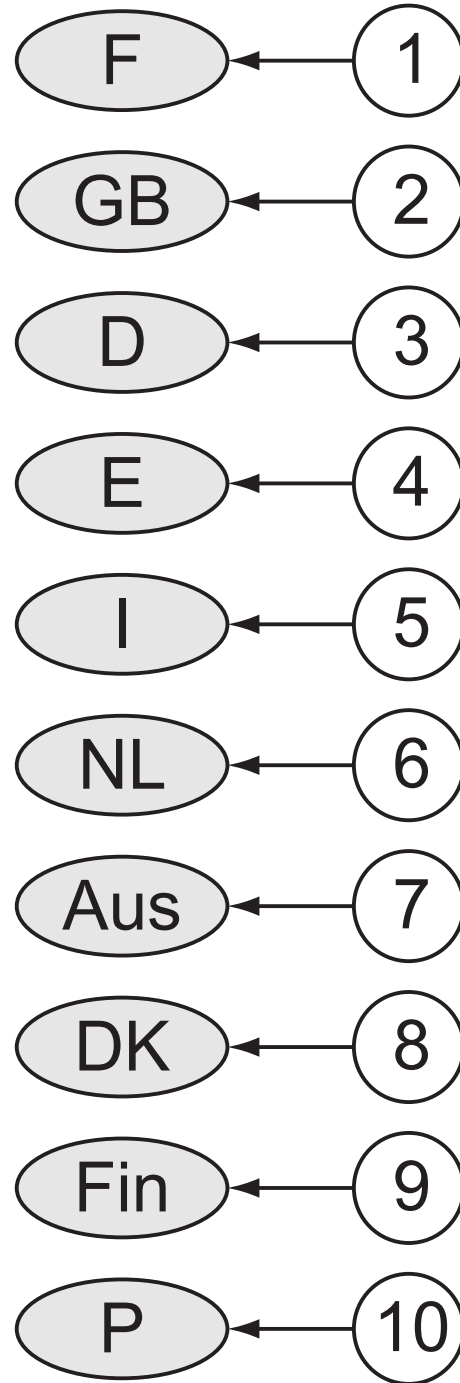
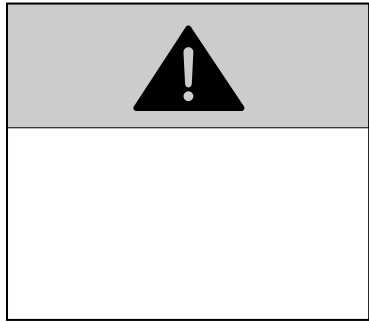


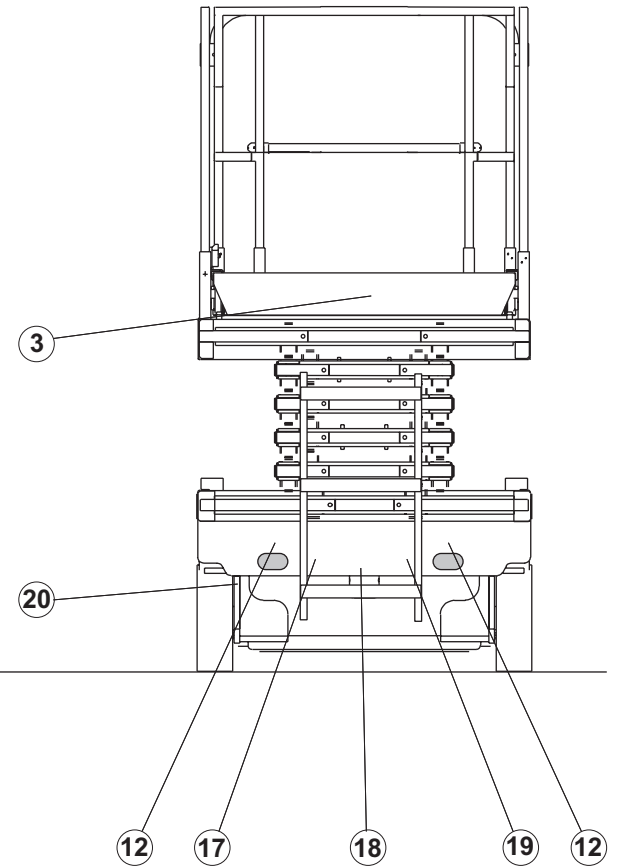
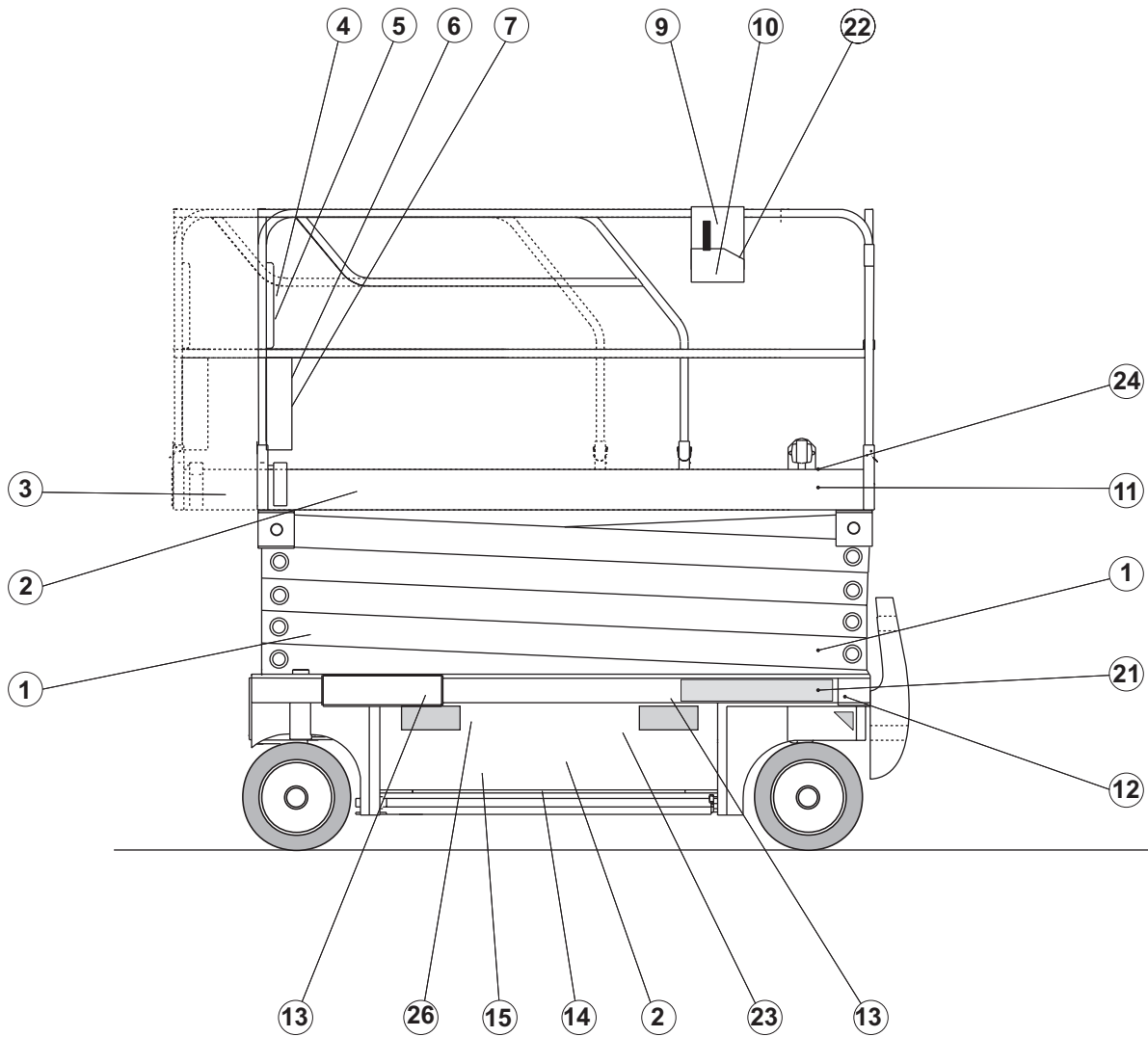
B15657 e

▲ Centrale hydraulique
Central hydraulic plant

◀ **E3** ▶

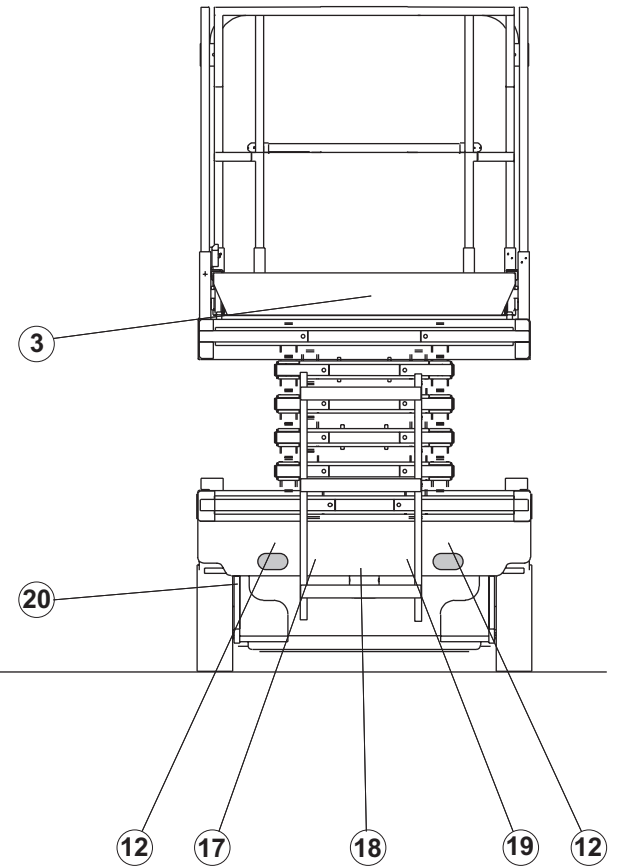
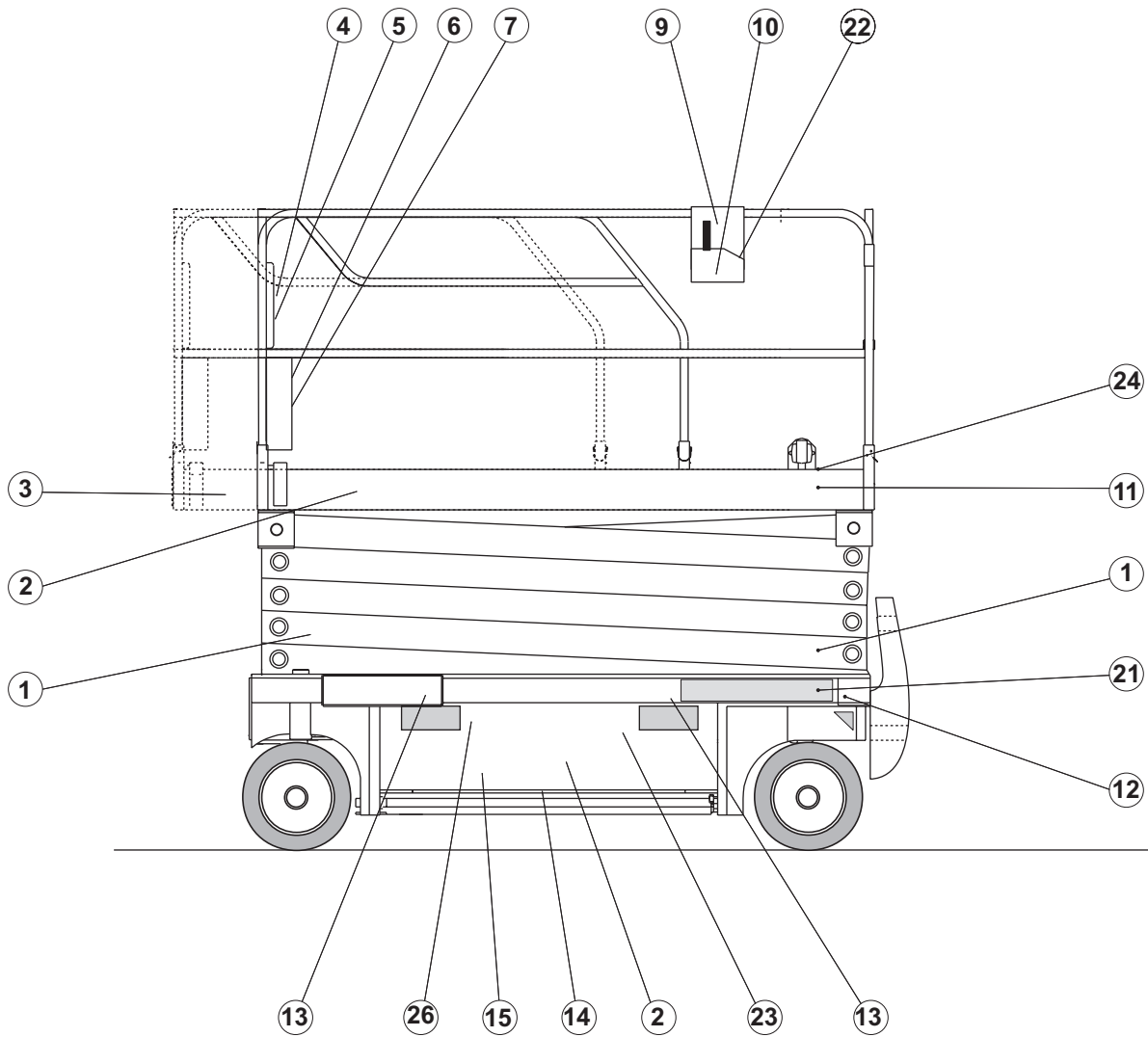
| Rep. | Désignation | Designation | Specification | Qty | Code | Up to / jusqu'à |
|------|-----------------------|---------------------|----------------------------|-----|------------|-----------------|
| 1 | Groupe motopompe | Pump motor unit | 3000W 24V DC | 1 | 2420701800 | |
| 2 | Bride | Flange | BD 35-38/585.3506 | 1 | 2420202450 | |
| 3 | Joint torique | O-ring | Ø22,22 x 2,62 | 2 | 2392004020 | |
| 4 | Vis | Screw | CHC M6 X 20/20 CL 8.8 ZB | 8 | 2308231490 | |
| 5 | Bride | Flange | BD 40-12/ 585.4008 | 1 | 2420202440 | |
| 6 | Collier | Collar | | 2 | 2389003100 | |
| 7 | Vis | Screw | H M8 X 20 / 20 CL 8.8 ZB | 4 | 2331231420 | |
| 8 | Ecrou | Nut | H M8 CL 8 ZB | 4 | 2341221070 | |
| 10 | Réservoir hydraulique | Hydraulic reservoir | 27L | 1 | 118B156240 | |
| 11 | Filtre à huile | Oil filter | 3/4 BSPP | 1 | 2427010430 | |
| 17 | Bloc de distribution | Distribution block | SP.5119 | 1 | 2420209290 | |
| 18 | Robinet | Valve | | 1 | 2426904000 | |
| 19 | Vis | Screw | H M6 X 45 / 18 CL 8.8 ZB | 2 | 2301231470 | |
| 20 | Rondelle à dents | Tooth lock washer | DE 6 ZB | 2 | 2351301070 | |
| 21 | Ecrou | Nut | H M6 CL 8 ZB | 2 | 2341221050 | |
| 22 | Rondelle plate | Flat washer | M 8 U ZB | 6 | 2351112070 | |
| 23 | Vis | Screw | H M8 X 20 / 20 CL 8.8 ZB | 4 | 2331231420 | |
| 24 | Patte de fixation | Retaining bracket | | 1 | 118C153240 | |
| 25 | Patte de fixation | Retaining bracket | | 1 | 118C153470 | |
| 26 | Rondelle plate | Flat washer | L 8 U ZB | 1 | 2351113070 | |
| 28 | Vis | Screw | CHC M8 X 20 / 20 CL 8.8 ZB | 4 | 2308231690 | |
| | | | | | | |
| | | | | | | |
| | | | | | | |
| | | | | | | |
| | | | | | | |



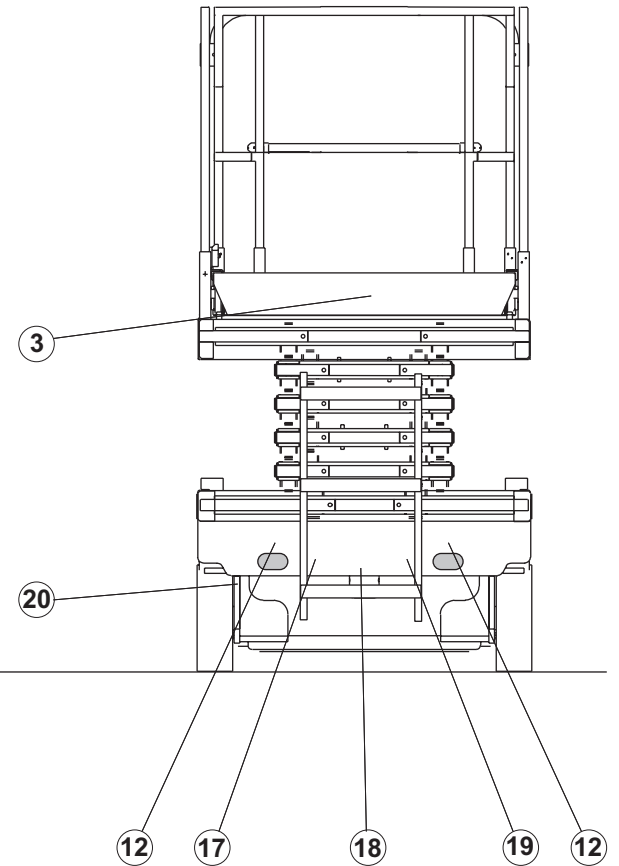
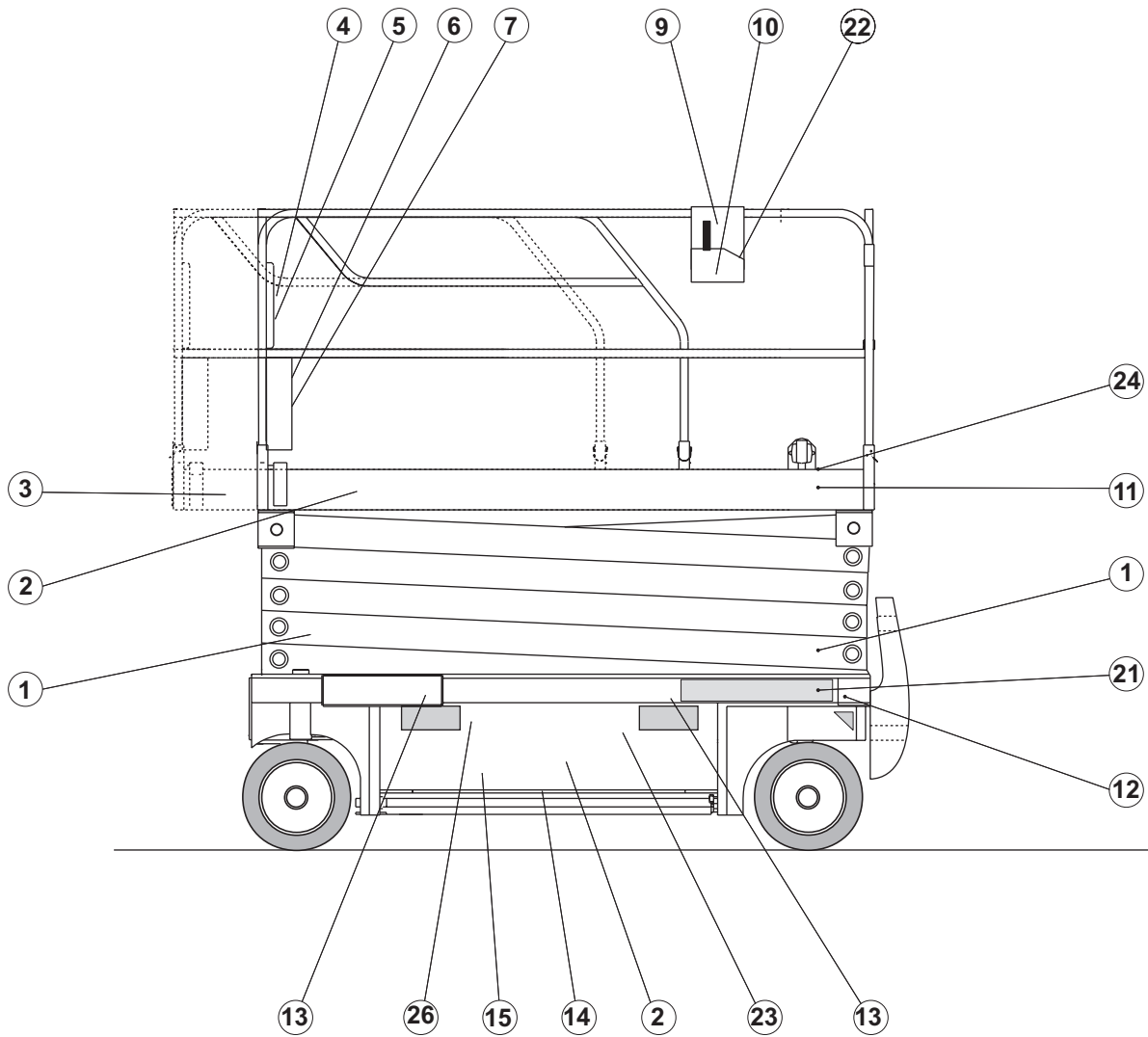


D16106

| Rep. | Désignation | Designation | Specification | Qty | Code | Up to / jusqu'à |
|------|-----------------------------------|----------------------------------|---------------|-----|------------|-----------------|
| | Catalogue PR | Spare parts catalogue | | 1 | 2420315520 | |
| | Manuel CE | Operator's manual | | 1 | 2420315410 | |
| 1 | Etiquette "Ecrasement main" | « Hand crushing » label | | 4 | 3078145080 | |
| 2 | Etiquette | Label | "Compact 12" | 2 | 3078145150 | |
| 3 | Etiquette "Ne pas stationner" | « Do not park » park | | 2 | 3078143800 | |
| 4 | Etiquette "Hauteur plancher..." | « Floor height... » label | | 1 | 3078145350 | |
| 6 | Etiquette "Lire manuel" | « Read manual » label | | 1 | 3078143680 | |
| 7 | Etiquette "Sens translation" | « Direction of travel » label | | 1 | 3078145100 | |
| 8 | Etiquette "Electrocution" | « Electrocution » label | | 1 | 3078143810 | |
| 9 | Etiquette "Charge batterie" | « Battery charge » label | | 1 | 3078144630 | |
| 10 | Etiquette "Arrêt descente" | « Stop lowering » label | | 1 | 3078144640 | |
| 11 | Etiquette "HAULOTTE" | « HAULOTTE » label | | 2 | 1250127590 | |
| 12 | Etiquette "Crochet encrage" | « Anchoring hook » label | | 1 | 3078145110 | |
| 13 | Etiquette "Fourche chariot" | « Truck fork » label | | 4 | 3078143830 | |
| 14 | Etiquette "Défreinage" | « Brake release » label | | 1 | 3078144680 | |
| 15 | Etiquette "Ecrasement pieds" | « feet crushing » label | | 2 | 3078144670 | |
| 16 | Etiquette "Consignes utilisation" | « Operating instructions » label | | 1 | 3078143420 | |
| 17 | Etiquette "Entretien batterie" | « Battery servicing » label | | 1 | 3078143510 | |
| 18 | Etiquette "Dévers" | « Tilt » label | | 1 | 3078144650 | |
| 19 | Etiquette "Port de vêtement..." | « Wearing of clothes » label | | 1 | 3078143610 | |
| 20 | Etiquette "Vérouillage tiroir..." | « Lock spool » label | | 1 | 3078145310 | |
| 21 | Etiquette "Pupitre bas" | « Bottom panel » label | | 1 | 3078145060 | |
| 22 | Etiquette "Pupitre nacelle" | « Gantry panel » label | | 1 | 3078145090 | |
| 23 | Etiquette "Masse soudure" | « Welding earth » label | | 1 | 3078143600 | |
| 24 | Etiquette "Prise 220V" | « 220 V socket » label | | 1 | 3078143540 | |
| 25 | Rivet | Rivet | Ø3,2 X 9,5 | 4 | 2421803570 | |

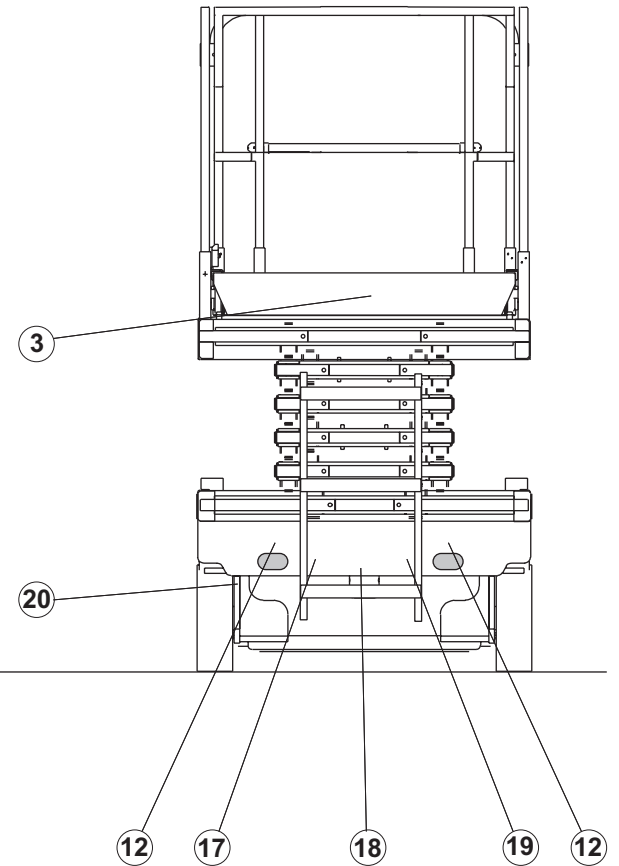
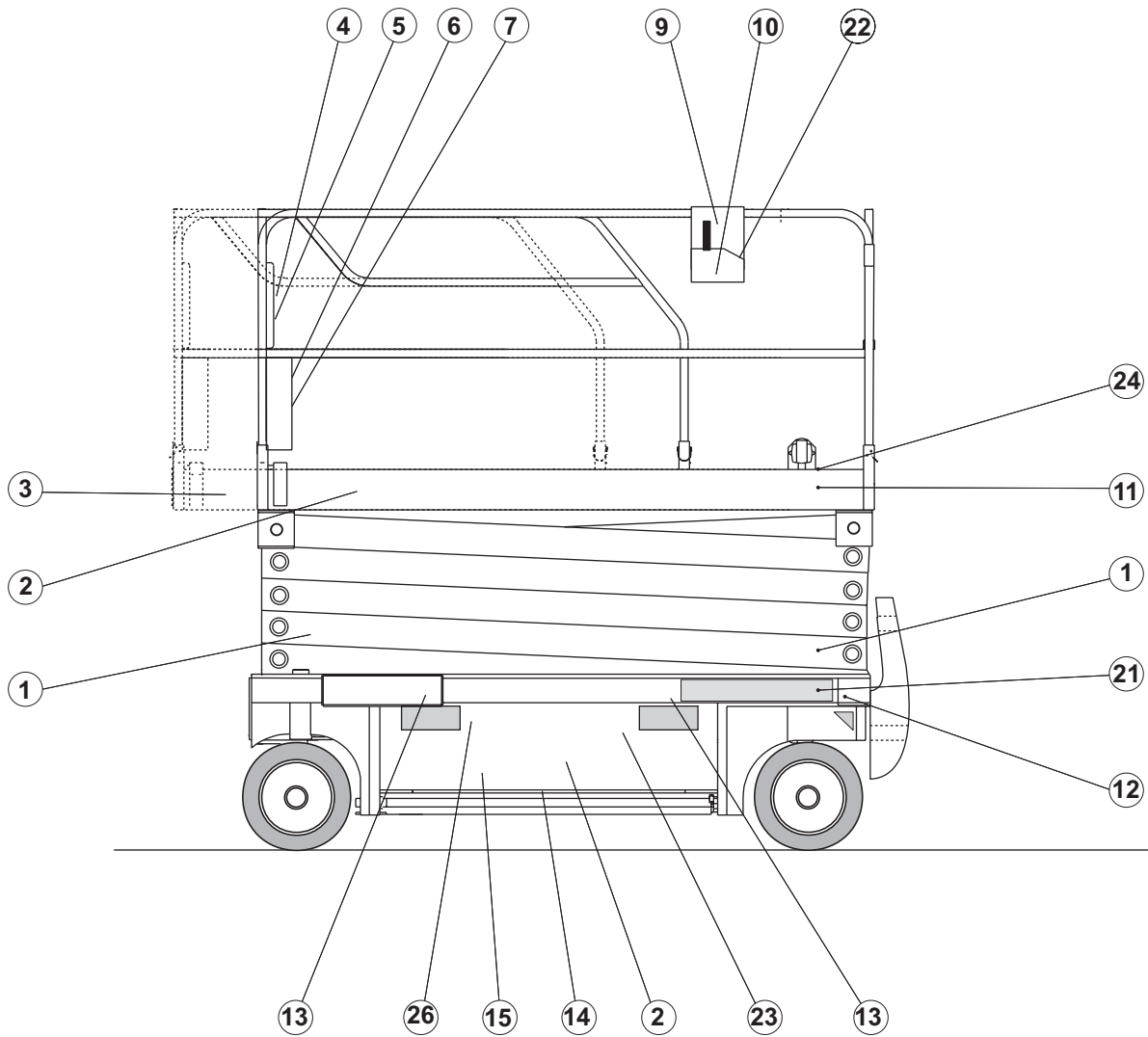


D16106

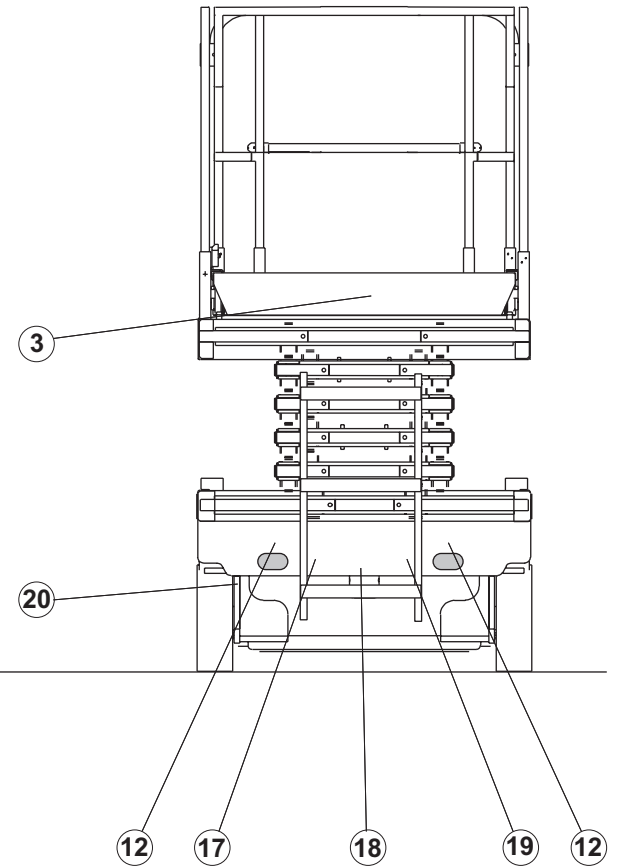
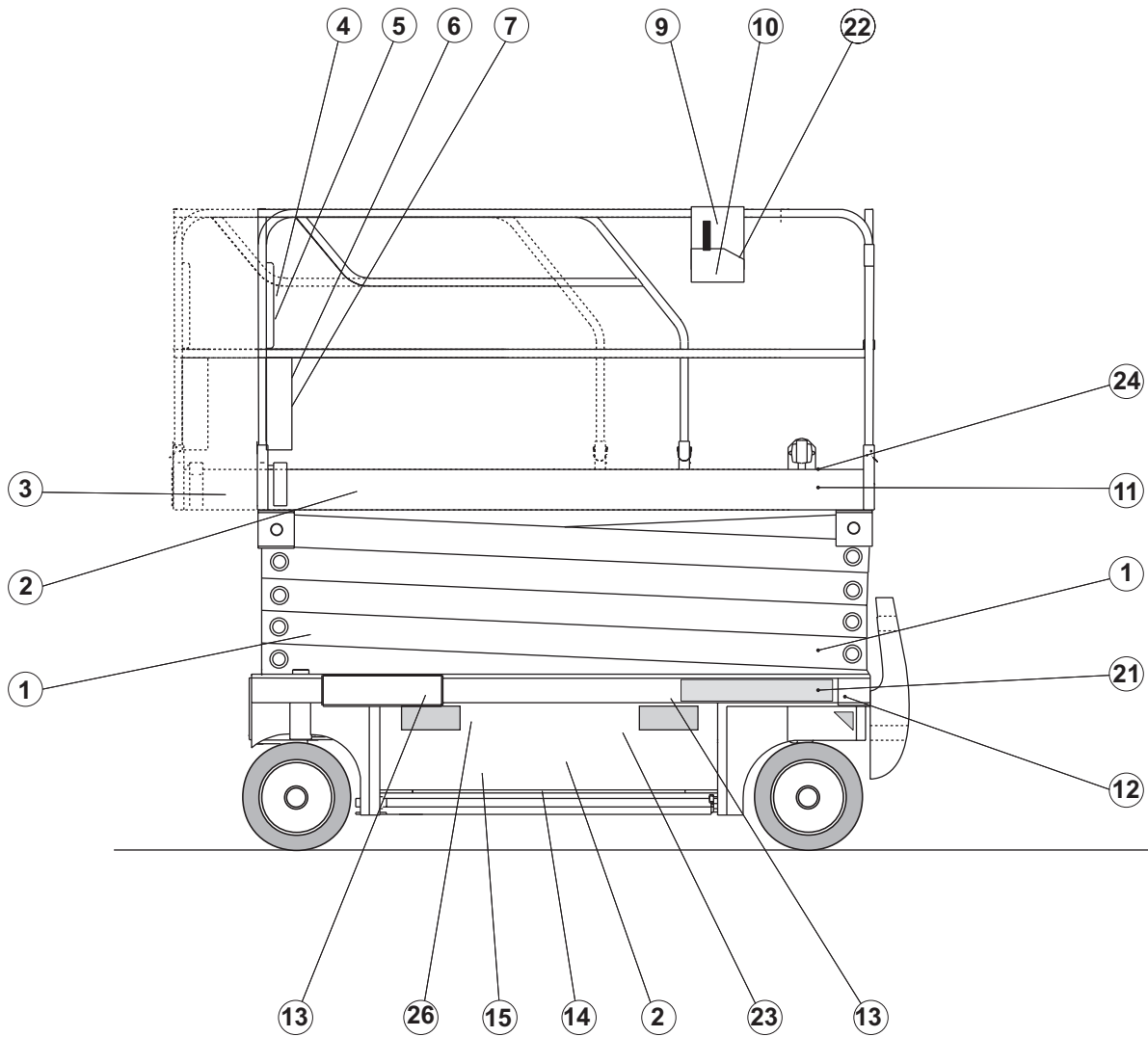


D16106

| Rep. | Désignation | Designation | Specification | Qty | Code | Up to / jusqu'à |
|------|-----------------------------------|----------------------------------|---------------|-----|------------|-----------------|
| | Catalogue PR | Spare parts catalogue | | 1 | 2420315520 | |
| | Manuel CE | Operator's manual | | 1 | 2420315420 | |
| 1 | Etiquette "Ecrasement main" | « Hand crushing » label | | 4 | 3078145080 | |
| 2 | Etiquette | Label | "Compact 12" | 2 | 3078145150 | |
| 3 | Etiquette "Ne pas stationner" | « Do not park » park | | 2 | 3078143800 | |
| 4 | Etiquette "Hauteur plancher..." | « Floor height... » label | | 1 | 3078145350 | |
| 6 | Etiquette "Lire manuel" | « Read manual » label | | 1 | 3078143680 | |
| 7 | Etiquette "Sens translation" | « Direction of travel » label | | 1 | 3078145100 | |
| 8 | Etiquette "Electrocution" | « Electrocution » label | | 1 | 3078143810 | |
| 9 | Etiquette "Charge batterie" | « Battery charge » label | | 1 | 3078144630 | |
| 10 | Etiquette "Arrêt descente" | « Stop lowering » label | | 1 | 3078144710 | |
| 11 | Etiquette "HAULOTTE" | « HAULOTTE » label | | 2 | 1250127590 | |
| 12 | Etiquette "Crochet encrage" | « Anchoring hook » label | | 1 | 3078145110 | |
| 13 | Etiquette "Fourche chariot" | « Truck fork » label | | 4 | 3078143830 | |
| 14 | Etiquette "Défreinage" | « Brake release » label | | 1 | 3078144680 | |
| 15 | Etiquette "Ecrasement pieds" | « feet crushing » label | | 2 | 3078144670 | |
| 16 | Etiquette "Consignes utilisation" | « Operating instructions » label | | 1 | 3078143450 | |
| 17 | Etiquette "Entretien batterie" | « Battery servicing » label | | 1 | 3078143510 | |
| 18 | Etiquette "Dévers" | « Tilt » label | | 1 | 3078144650 | |
| 19 | Etiquette "Port de vêtement..." | « Wearing of clothes » label | | 1 | 3078143610 | |
| 20 | Etiquette "Vérouillage tiroir..." | « Lock spool » label | | 1 | 3078145310 | |
| 21 | Etiquette "Pupitre bas" | « Bottom panel » label | | 1 | 3078145060 | |
| 22 | Etiquette "Pupitre nacelle" | « Gantry panel » label | | 1 | 3078145090 | |
| 23 | Etiquette "Masse soudure" | « Welding earth » label | | 1 | 3078143600 | |
| 24 | Etiquette "Prise 220V" | « 220 V socket » label | | 1 | 3078143540 | |
| 25 | Rivet | Rivet | Ø3,2 X 9,5 | 4 | 2421803570 | |



D16106

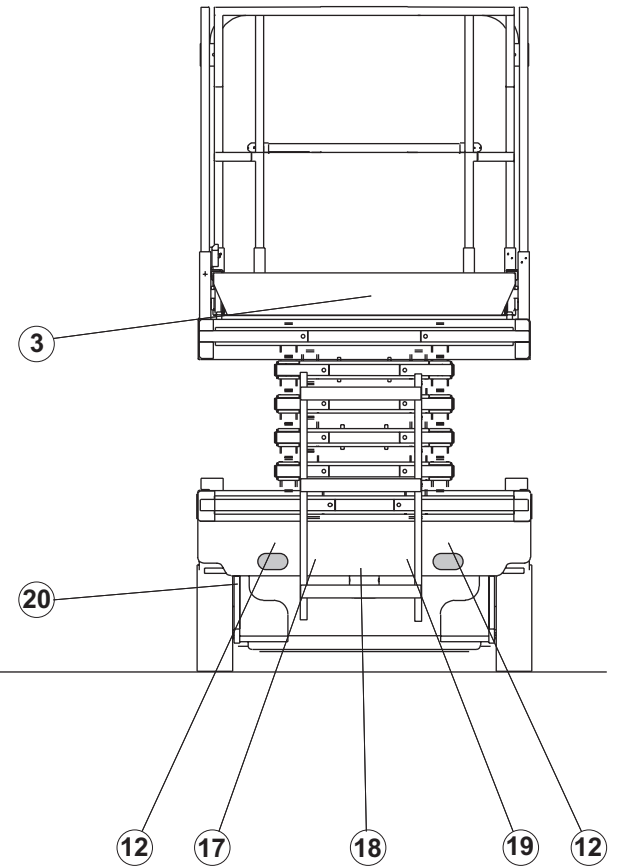
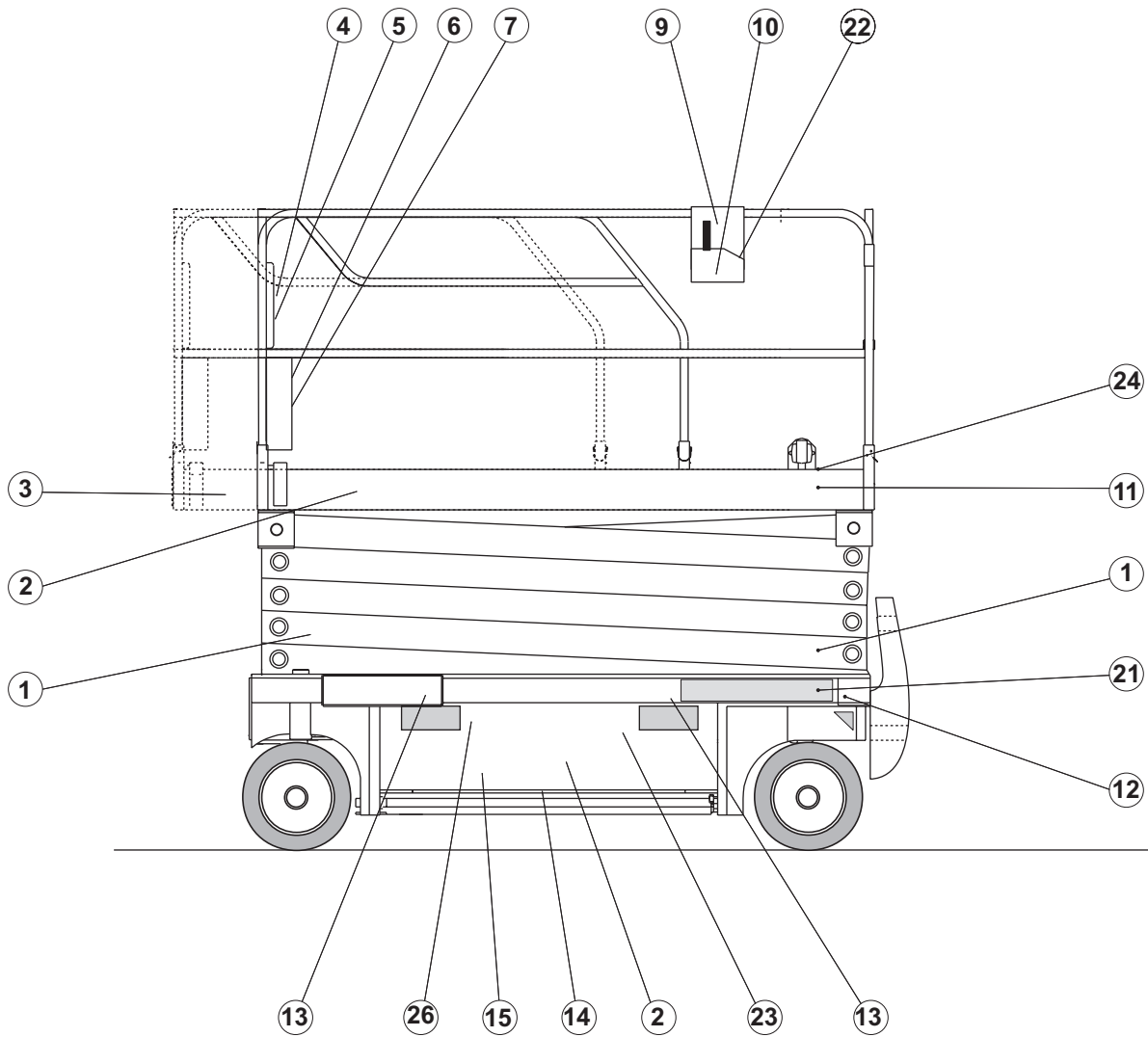


D16106

▲ **Allemagne**
Germany

◀ **F3**
1/2 ▶

| Rep. | Désignation | Designation | Specification | Qty | Code | Up to / jusqu'à |
|------|-----------------------------------|----------------------------------|---------------|-----|------------|-----------------|
| | Catalogue PR | Spare parts catalogue | | 1 | 2420315520 | |
| | Manuel CE | Operator's manual | | 1 | 2420315430 | |
| 1 | Etiquette "Ecrasement main" | « Hand crushing » label | | 4 | 3078145080 | |
| 2 | Etiquette | Label | "Compact 12" | 2 | 3078145150 | |
| 3 | Etiquette "Ne pas stationner" | « Do not park » park | | 2 | 3078143800 | |
| 4 | Etiquette "Hauteur plancher..." | « Floor height... » label | | 1 | 3078145380 | |
| 6 | Etiquette "Lire manuel" | « Read manual » label | | 1 | 3078143680 | |
| 7 | Etiquette "Sens translation" | « Direction of travel » label | | 1 | 3078145100 | |
| 8 | Etiquette "Electrocution" | « Electrocution » label | | 1 | 3078143810 | |
| 9 | Etiquette "Charge batterie" | « Battery charge » label | | 1 | 3078144630 | |
| 10 | Etiquette "Arrêt descente" | « Stop lowering » label | | 1 | 3078144700 | |
| 11 | Etiquette "HAULOTTE" | « HAULOTTE » label | | 2 | 1250127590 | |
| 12 | Etiquette "Crochet encrage" | « Anchoring hook » label | | 1 | 3078145110 | |
| 13 | Etiquette "Fourche chariot" | « Truck fork » label | | 4 | 3078143830 | |
| 14 | Etiquette "Défreinage" | « Brake release » label | | 1 | 3078144680 | |
| 15 | Etiquette "Ecrasement pieds" | « feet crushing » label | | 2 | 3078144670 | |
| 16 | Etiquette "Consignes utilisation" | « Operating instructions » label | | 1 | 3078143440 | |
| 17 | Etiquette "Entretien batterie" | « Battery servicing » label | | 1 | 3078143510 | |
| 18 | Etiquette "Dévers" | « Tilt » label | | 1 | 3078144650 | |
| 19 | Etiquette "Port de vêtement..." | « Wearing of clothes » label | | 1 | 3078143610 | |
| 20 | Etiquette "Vérouillage tiroir..." | « Lock spool » label | | 1 | 3078145310 | |
| 21 | Etiquette "Pupitre bas" | « Bottom panel » label | | 1 | 3078145060 | |
| 22 | Etiquette "Pupitre nacelle" | « Gantry panel » label | | 1 | 3078145090 | |
| 23 | Etiquette "Masse soudure" | « Welding earth » label | | 1 | 3078143600 | |
| 24 | Etiquette "Prise 220V" | « 220 V socket » label | | 1 | 3078143540 | |
| 25 | Rivet | Rivet | Ø3,2 X 9,5 | 4 | 2421803570 | |

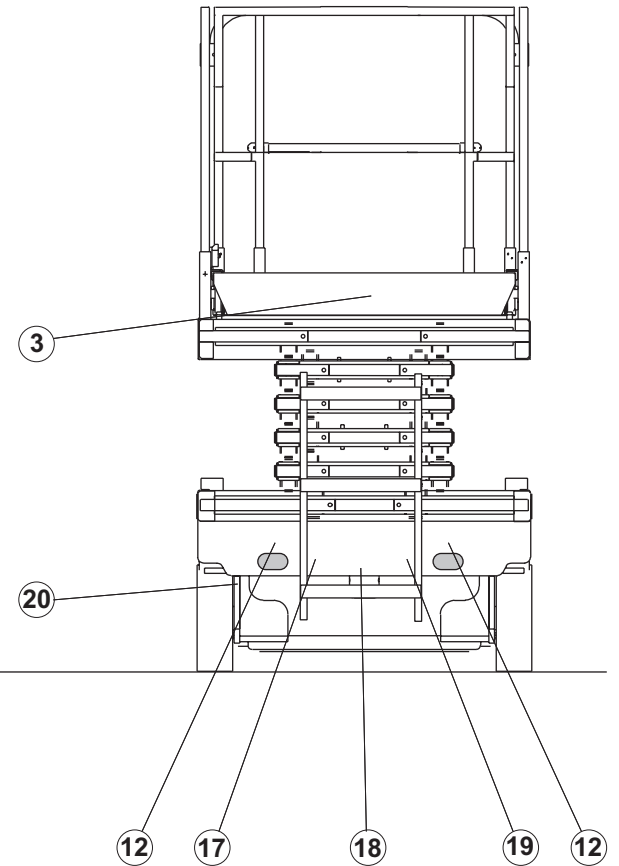
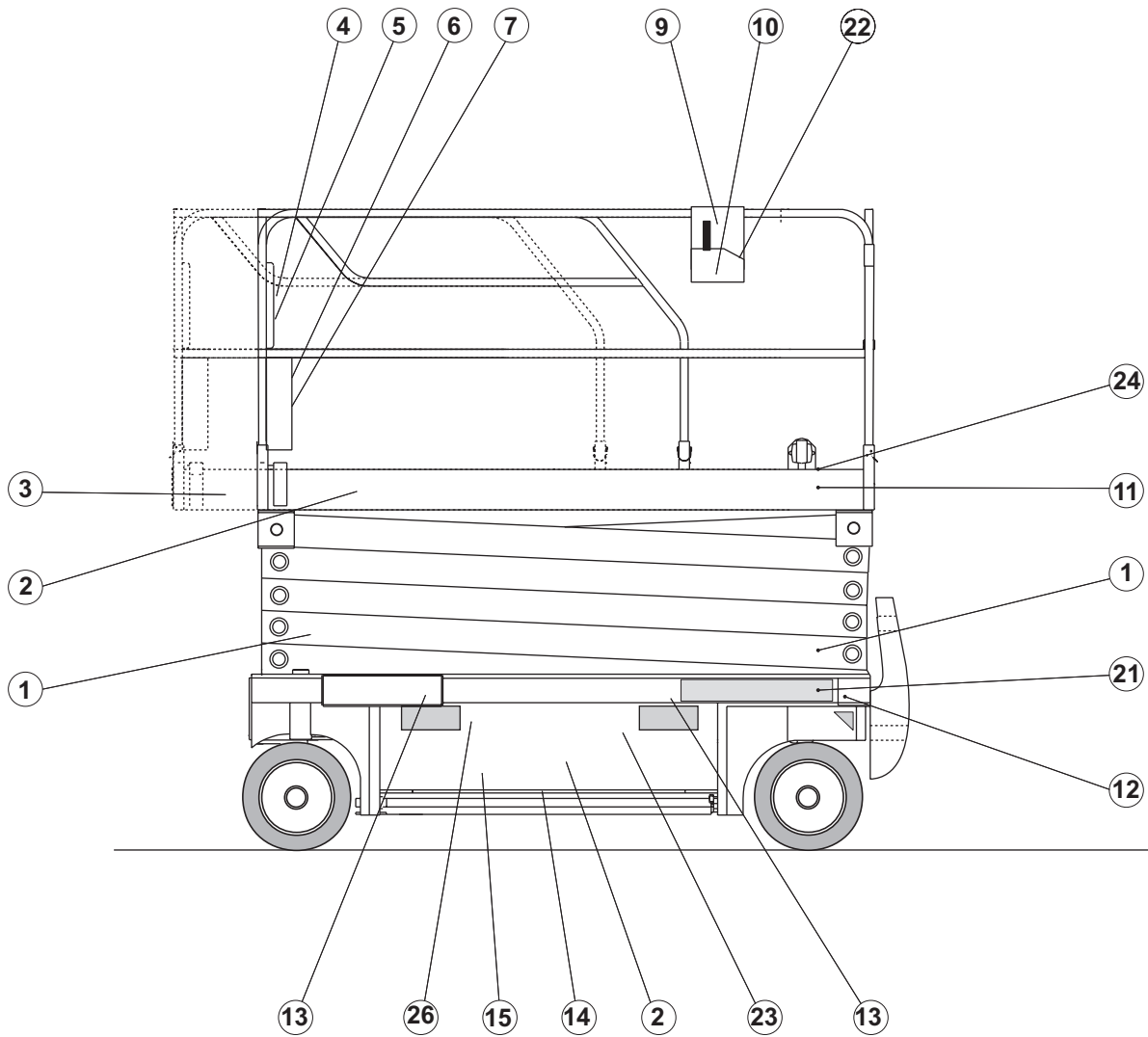


D16106

▲ **Allemagne**
Germany

◀ **F3**
2/2 ▶

| Rep. | Désignation | Designation | Specification | Qty | Code | Up to / jusqu'à |
|------|-------------------------------|---------------------------|---------------|-----|------------|-----------------|
| 25 | Plaque constructeur | Manufacturer's name plate | | 1 | 3078143260 | |
| 26 | Etiquette "Huile Hydraulique" | « Hydraulic oil » label | | 1 | 3078143520 | |
| | | | | | | |
| | | | | | | |
| | | | | | | |
| | | | | | | |
| | | | | | | |
| | | | | | | |
| | | | | | | |
| | | | | | | |
| | | | | | | |
| | | | | | | |
| | | | | | | |
| | | | | | | |
| | | | | | | |
| | | | | | | |
| | | | | | | |
| | | | | | | |
| | | | | | | |
| | | | | | | |
| | | | | | | |
| | | | | | | |

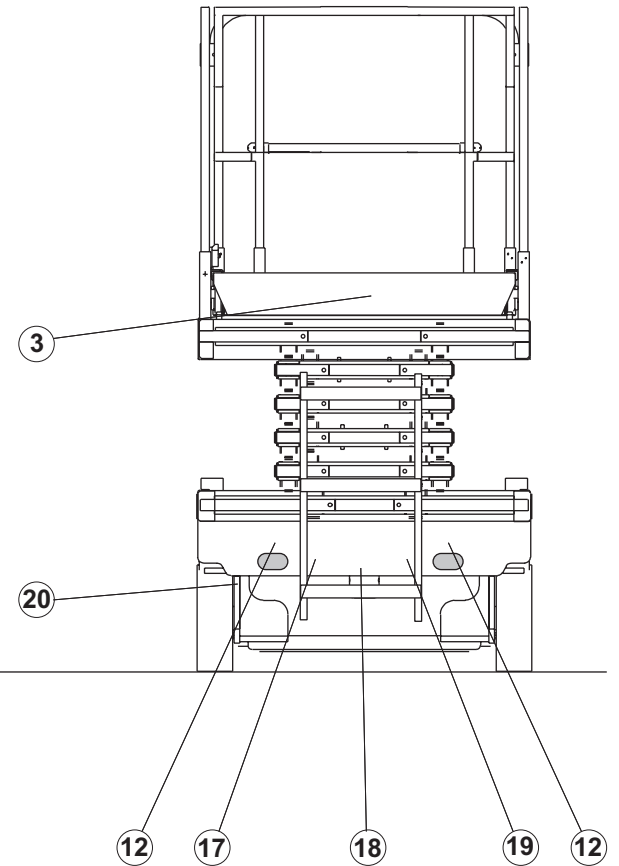
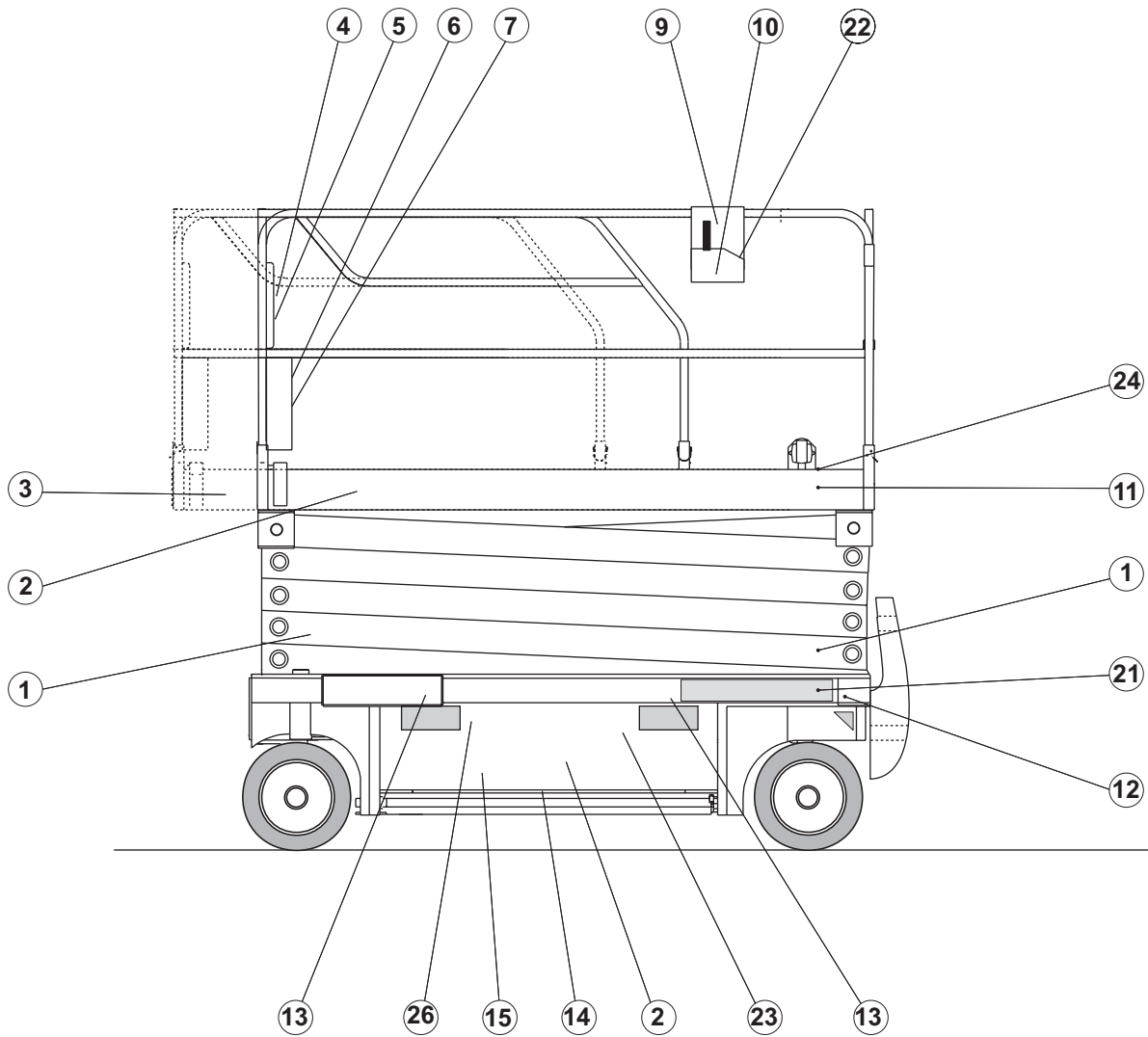


D16106

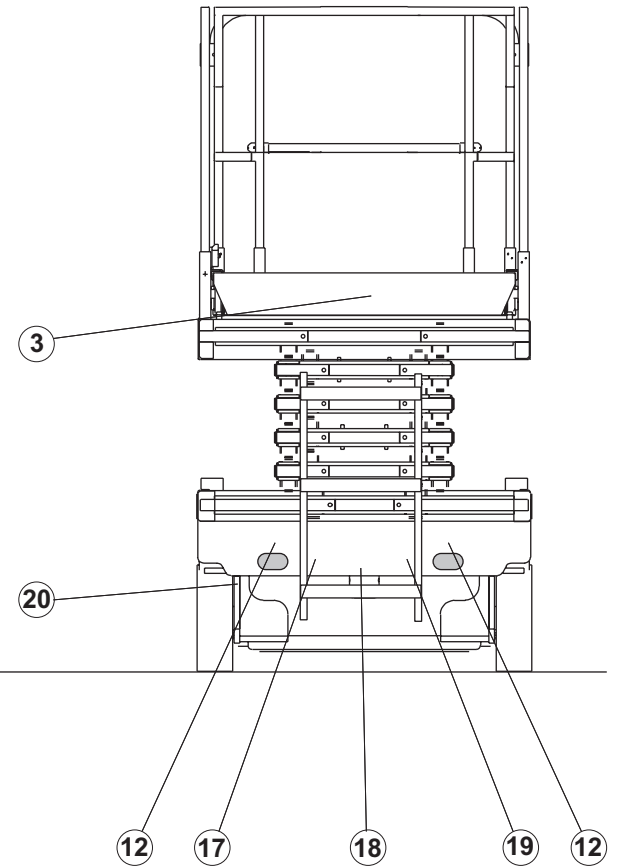
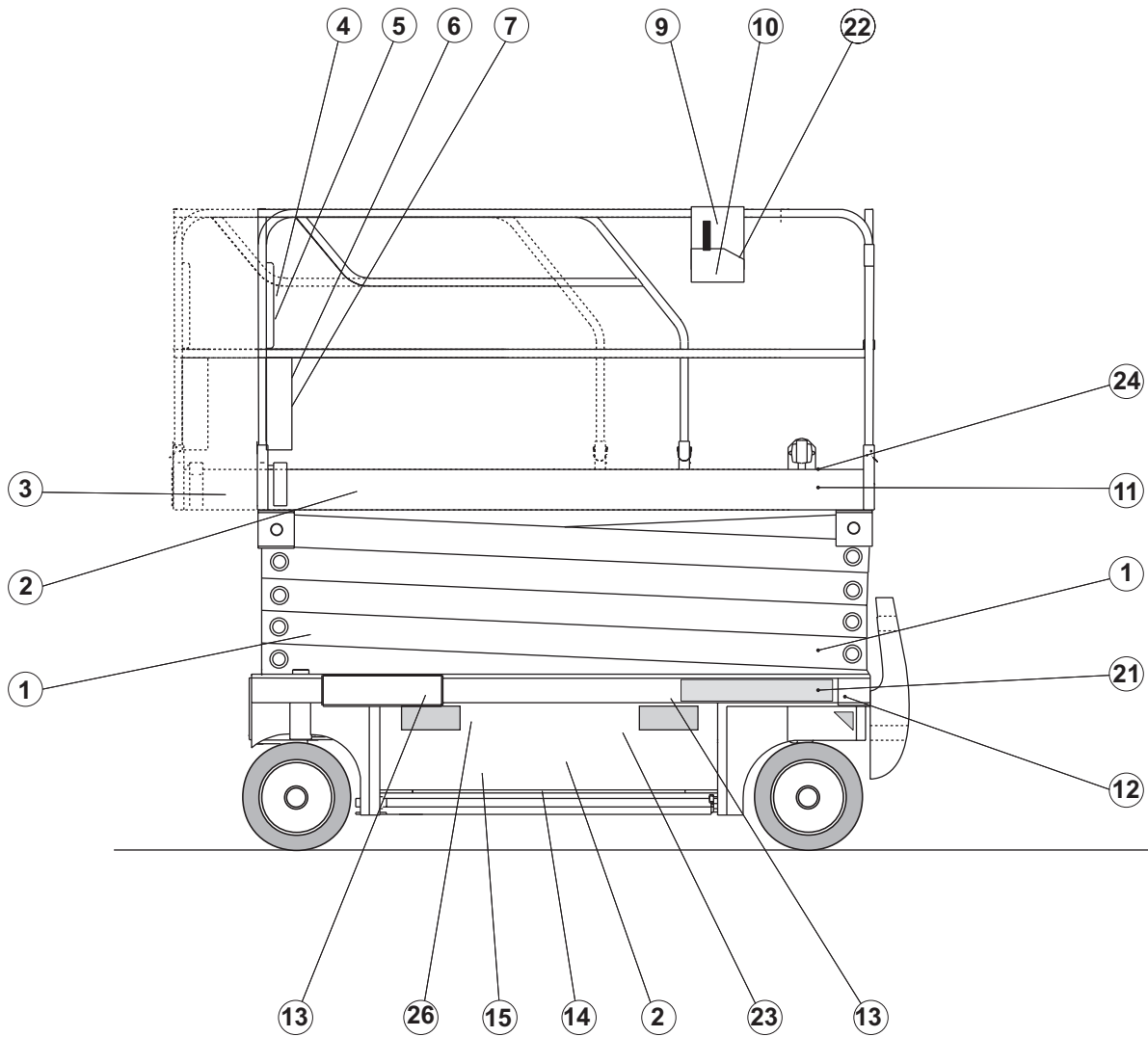
▲ **Espagne**
Spain

◀ **F4**
1/2 ▶

| Rep. | Désignation | Designation | Specification | Qty | Code | Up to / jusqu'à |
|------|-----------------------------------|----------------------------------|---------------|-----|------------|-----------------|
| | Catalogue PR | Spare parts catalogue | | 1 | 2420315520 | |
| | Manuel CE | Operator's manual | | 1 | 2420315440 | |
| 1 | Etiquette "Ecrasement main" | « Hand crushing » label | | 4 | 3078145080 | |
| 2 | Etiquette | Label | "Compact 12" | 2 | 3078145150 | |
| 3 | Etiquette "Ne pas stationner" | « Do not park » park | | 2 | 3078143800 | |
| 4 | Etiquette "Hauteur plancher..." | « Floor height... » label | | 1 | 3078145410 | |
| 6 | Etiquette "Lire manuel" | « Read manual » label | | 1 | 3078143680 | |
| 7 | Etiquette "Sens translation" | « Direction of travel » label | | 1 | 3078145100 | |
| 8 | Etiquette "Electrocution" | « Electrocution » label | | 1 | 3078143810 | |
| 9 | Etiquette "Charge batterie" | « Battery charge » label | | 1 | 3078144630 | |
| 10 | Etiquette "Arrêt descente" | « Stop lowering » label | | 1 | 3078144720 | |
| 11 | Etiquette "HAULOTTE" | « HAULOTTE » label | | 2 | 1250127590 | |
| 12 | Etiquette "Crochet encrage" | « Anchoring hook » label | | 1 | 3078145110 | |
| 13 | Etiquette "Fourche chariot" | « Truck fork » label | | 4 | 3078143830 | |
| 14 | Etiquette "Défreinage" | « Brake release » label | | 1 | 3078144680 | |
| 15 | Etiquette "Ecrasement pieds" | « feet crushing » label | | 2 | 3078144670 | |
| 16 | Etiquette "Consignes utilisation" | « Operating instructions » label | | 1 | 3078143430 | |
| 17 | Etiquette "Entretien batterie" | « Battery servicing » label | | 1 | 3078143510 | |
| 18 | Etiquette "Dévers" | « Tilt » label | | 1 | 3078144650 | |
| 19 | Etiquette "Port de vêtement..." | « Wearing of clothes » label | | 1 | 3078143610 | |
| 20 | Etiquette "Vérouillage tiroir..." | « Lock spool » label | | 1 | 3078145310 | |
| 21 | Etiquette "Pupitre bas" | « Bottom panel » label | | 1 | 3078145060 | |
| 22 | Etiquette "Pupitre nacelle" | « Gantry panel » label | | 1 | 3078145090 | |
| 23 | Etiquette "Masse soudure" | « Welding earth » label | | 1 | 3078143600 | |
| 24 | Etiquette "Prise 220V" | « 220 V socket » label | | 1 | 3078143540 | |
| 25 | Rivet | Rivet | Ø3,2 X 9,5 | 4 | 2421803570 | |

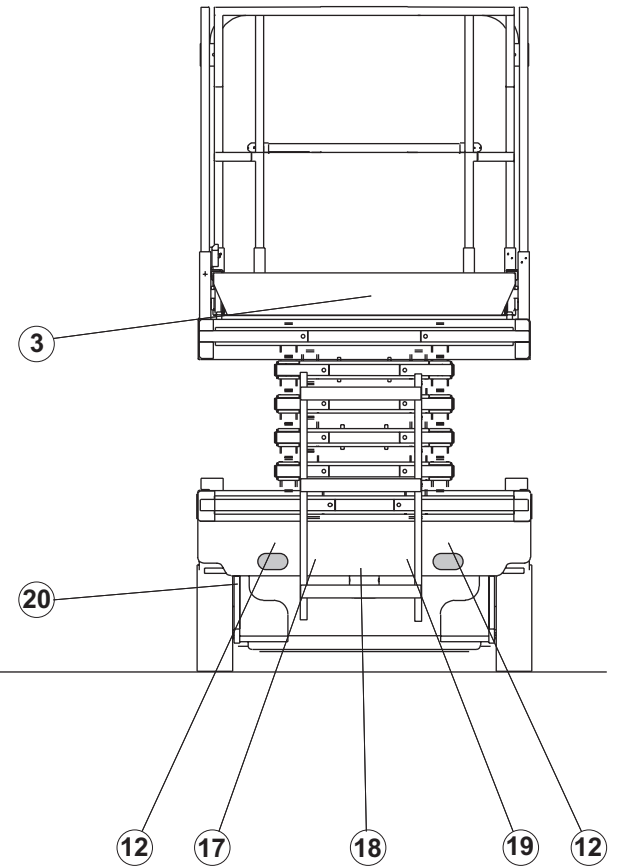
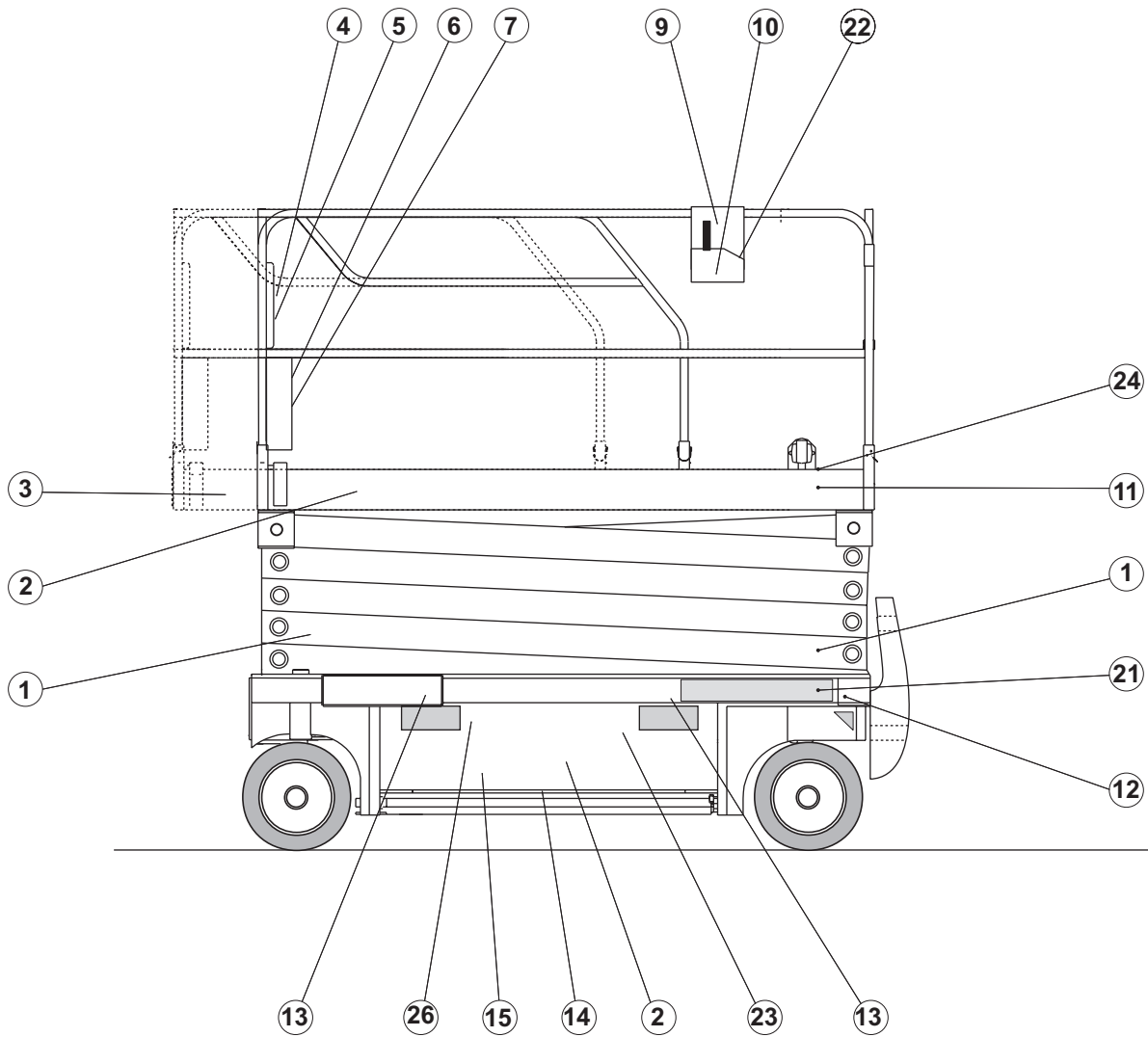


D16106

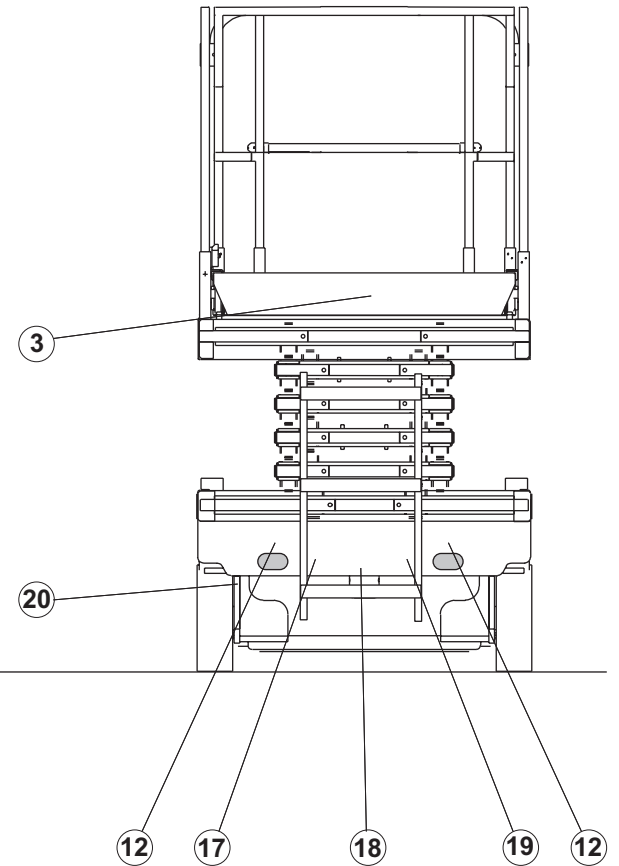
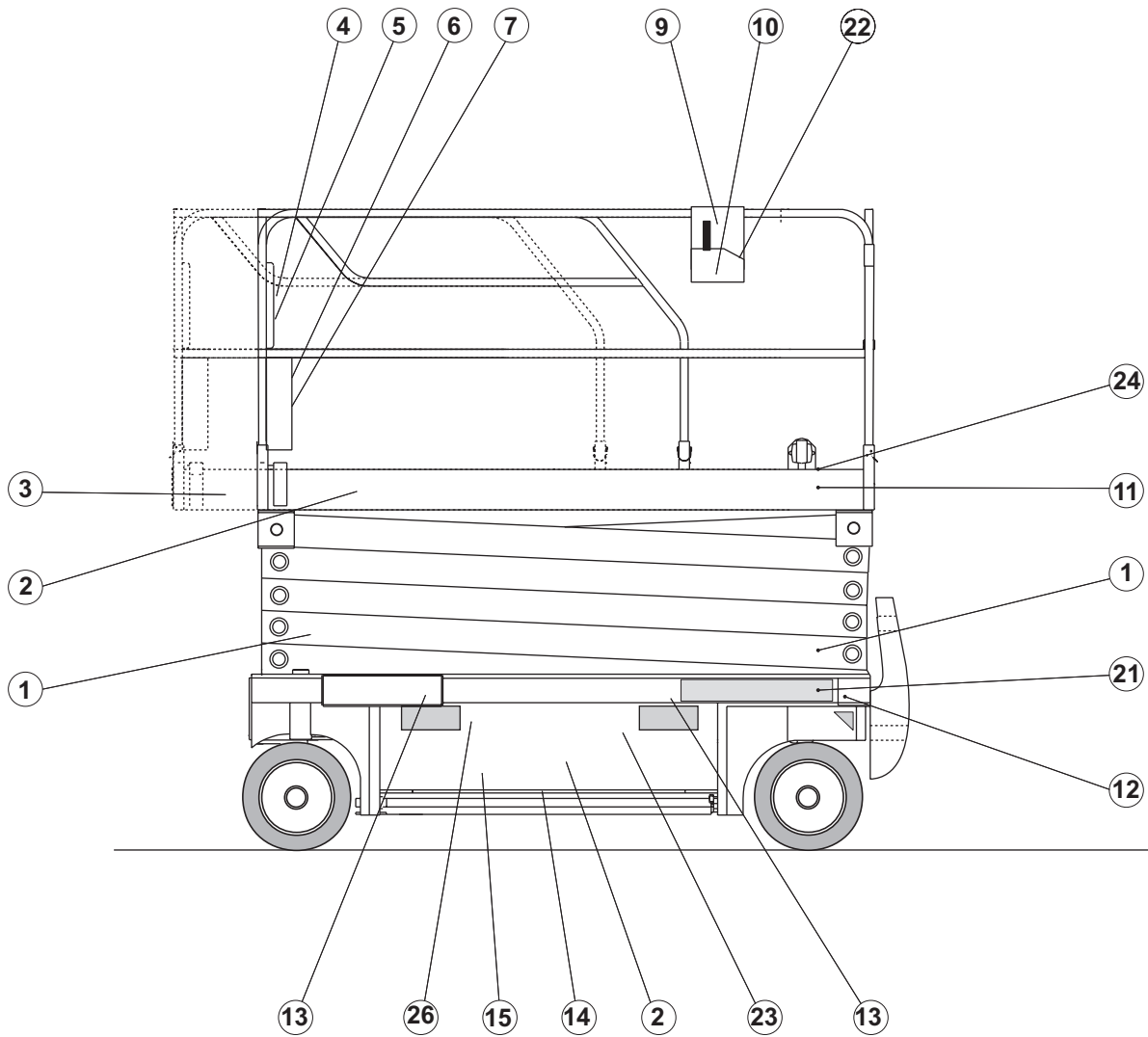


D16106

| Rep. | Désignation | Designation | Specification | Qty | Code | Up to / jusqu'à |
|------|-----------------------------------|----------------------------------|---------------|-----|------------|-----------------|
| | Catalogue PR | Spare parts catalogue | | 1 | 2420315520 | |
| | Manuel CE | Operator's manual | | 1 | 2420315450 | |
| 1 | Etiquette "Ecrasement main" | « Hand crushing » label | | 4 | 3078145080 | |
| 2 | Etiquette | Label | "Compact 12" | 2 | 3078145150 | |
| 3 | Etiquette "Ne pas stationner" | « Do not park » park | | 2 | 3078143800 | |
| 4 | Etiquette "Hauteur plancher..." | « Floor height... » label | | 1 | 3078145440 | |
| 6 | Etiquette "Lire manuel" | « Read manual » label | | 1 | 3078143680 | |
| 7 | Etiquette "Sens translation" | « Direction of travel » label | | 1 | 3078145100 | |
| 8 | Etiquette "Electrocution" | « Electrocution » label | | 1 | 3078143810 | |
| 9 | Etiquette "Charge batterie" | « Battery charge » label | | 1 | 3078144630 | |
| 10 | Etiquette "Arrêt descente" | « Stop lowering » label | | 1 | 3078144730 | |
| 11 | Etiquette "HAULOTTE" | « HAULOTTE » label | | 2 | 1250127590 | |
| 12 | Etiquette "Crochet encrage" | « Anchoring hook » label | | 1 | 3078145110 | |
| 13 | Etiquette "Fourche chariot" | « Truck fork » label | | 4 | 3078143830 | |
| 14 | Etiquette "Défreinage" | « Brake release » label | | 1 | 3078144680 | |
| 15 | Etiquette "Ecrasement pieds" | « feet crushing » label | | 2 | 3078144670 | |
| 16 | Etiquette "Consignes utilisation" | « Operating instructions » label | | 1 | 3078143460 | |
| 17 | Etiquette "Entretien batterie" | « Battery servicing » label | | 1 | 3078143510 | |
| 18 | Etiquette "Dévers" | « Tilt » label | | 1 | 3078144650 | |
| 19 | Etiquette "Port de vêtement..." | « Wearing of clothes » label | | 1 | 3078143610 | |
| 20 | Etiquette "Vérouillage tiroir..." | « Lock spool » label | | 1 | 3078145310 | |
| 21 | Etiquette "Pupitre bas" | « Bottom panel » label | | 1 | 3078145060 | |
| 22 | Etiquette "Pupitre nacelle" | « Gantry panel » label | | 1 | 3078145090 | |
| 23 | Etiquette "Masse soudure" | « Welding earth » label | | 1 | 3078143600 | |
| 24 | Etiquette "Prise 220V" | « 220 V socket » label | | 1 | 3078143540 | |
| 25 | Rivet | Rivet | Ø3,2 X 9,5 | 4 | 2421803570 | |



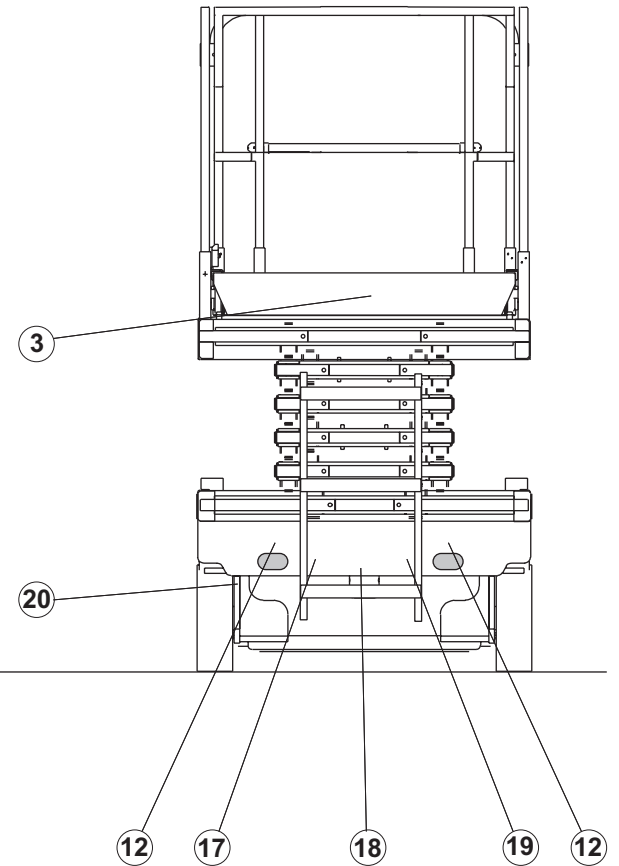
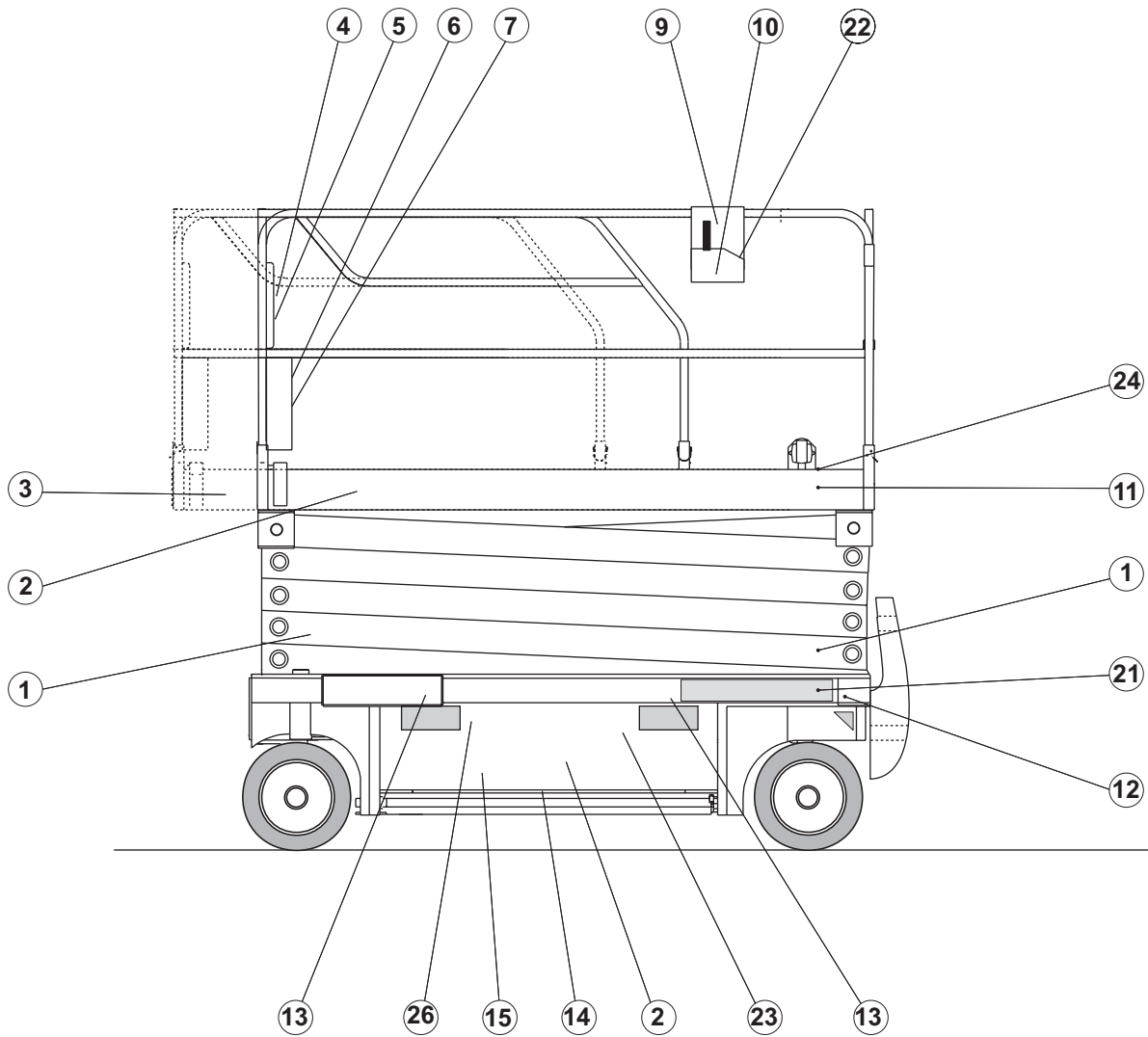
D16106



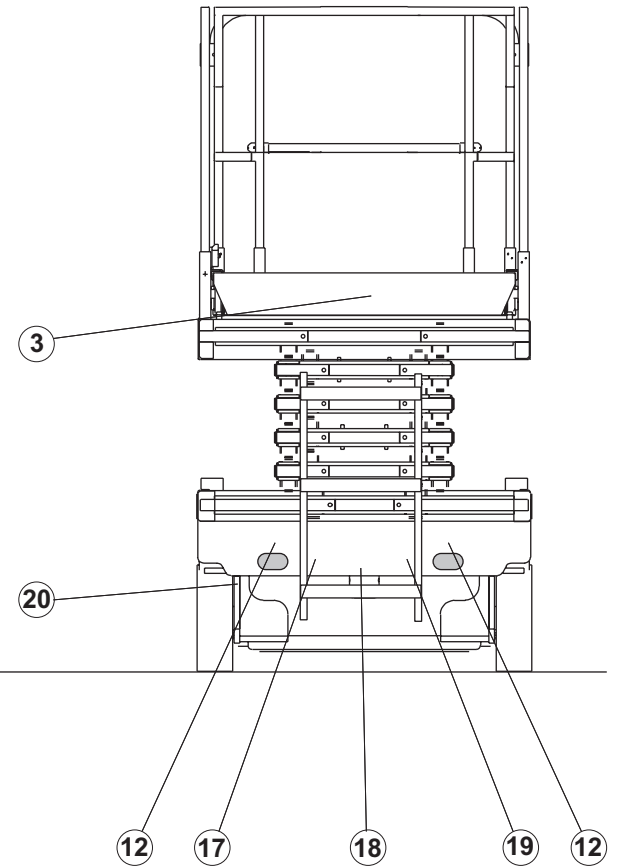
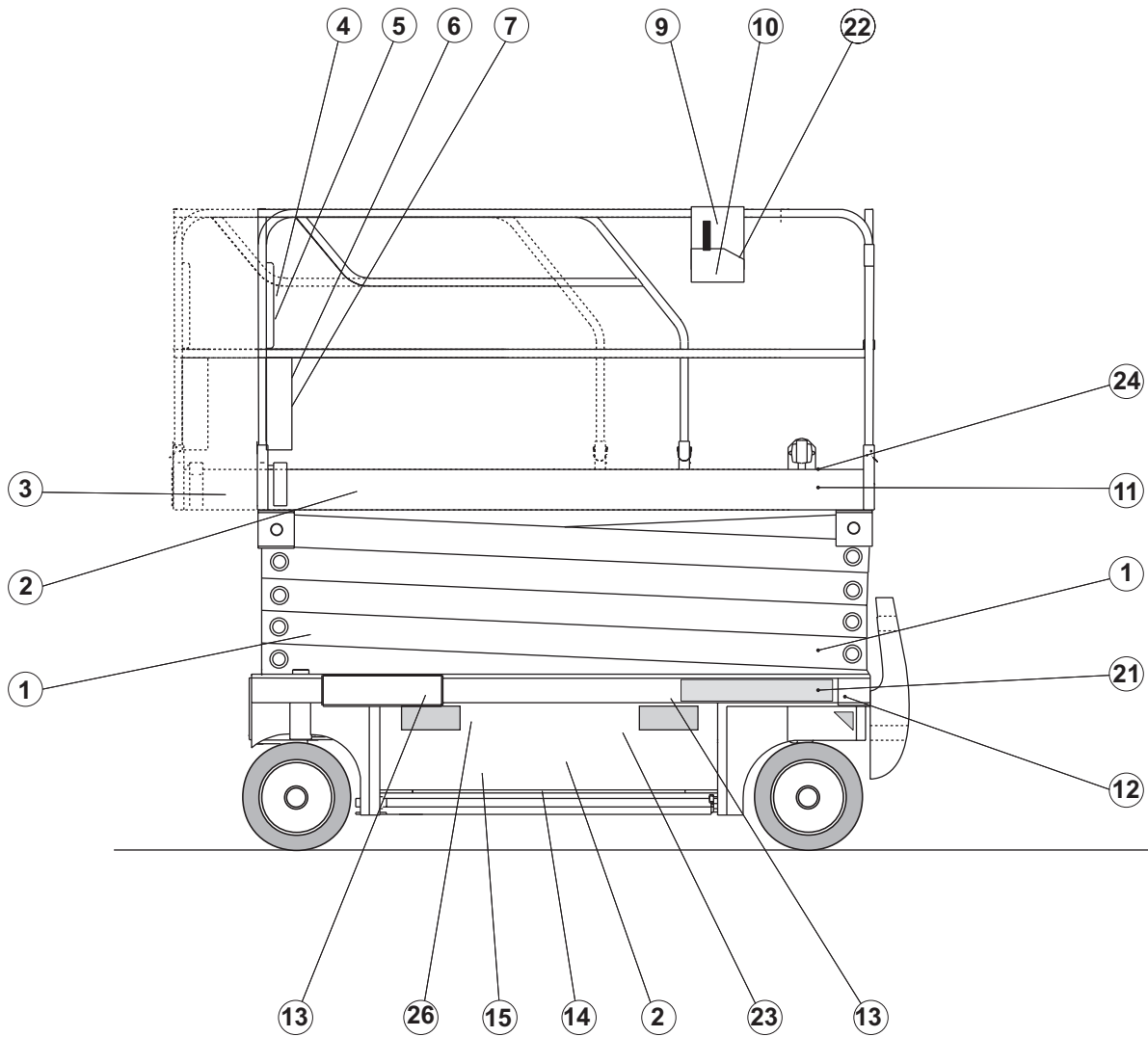
D16106

▲ **Hollande**
Netherlands

| Rep. | Désignation | Designation | Specification | Qty | Code | Up to / jusqu'à |
|------|-----------------------------------|----------------------------------|---------------|-----|------------|-----------------|
| | Catalogue PR | Spare parts catalogue | | 1 | 2420315520 | |
| | Manuel CE | Operator's manual | | 1 | 2420315460 | |
| 1 | Etiquette "Ecrasement main" | « Hand crushing » label | | 4 | 3078145080 | |
| 2 | Etiquette | Label | "Compact 12" | 2 | 3078145150 | |
| 3 | Etiquette "Ne pas stationner" | « Do not park » park | | 2 | 3078143800 | |
| 4 | Etiquette "Hauteur plancher..." | « Floor height... » label | | 1 | 3078145470 | |
| 6 | Etiquette "Lire manuel" | « Read manual » label | | 1 | 3078143680 | |
| 7 | Etiquette "Sens translation" | « Direction of travel » label | | 1 | 3078145100 | |
| 8 | Etiquette "Electrocution" | « Electrocution » label | | 1 | 3078143810 | |
| 9 | Etiquette "Charge batterie" | « Battery charge » label | | 1 | 3078144630 | |
| 10 | Etiquette "Arrêt descente" | « Stop lowering » label | | 1 | 3078144740 | |
| 11 | Etiquette "HAULOTTE" | « HAULOTTE » label | | 2 | 1250127590 | |
| 12 | Etiquette "Crochet encrage" | « Anchoring hook » label | | 1 | 3078145110 | |
| 13 | Etiquette "Fourche chariot" | « Truck fork » label | | 4 | 3078143830 | |
| 14 | Etiquette "Défreinage" | « Brake release » label | | 1 | 3078144680 | |
| 15 | Etiquette "Ecrasement pieds" | « feet crushing » label | | 2 | 3078144670 | |
| 16 | Etiquette "Consignes utilisation" | « Operating instructions » label | | 1 | 3078143470 | |
| 17 | Etiquette "Entretien batterie" | « Battery servicing » label | | 1 | 3078143510 | |
| 18 | Etiquette "Dévers" | « Tilt » label | | 1 | 3078144650 | |
| 19 | Etiquette "Port de vêtement..." | « Wearing of clothes » label | | 1 | 3078143610 | |
| 20 | Etiquette "Vérouillage tiroir..." | « Lock spool » label | | 1 | 3078145310 | |
| 21 | Etiquette "Pupitre bas" | « Bottom panel » label | | 1 | 3078145060 | |
| 22 | Etiquette "Pupitre nacelle" | « Gantry panel » label | | 1 | 3078145090 | |
| 23 | Etiquette "Masse soudure" | « Welding earth » label | | 1 | 3078143600 | |
| 24 | Etiquette "Prise 220V" | « 220 V socket » label | | 1 | 3078143540 | |
| 25 | Rivet | Rivet | Ø3,2 X 9,5 | 4 | 2421803570 | |



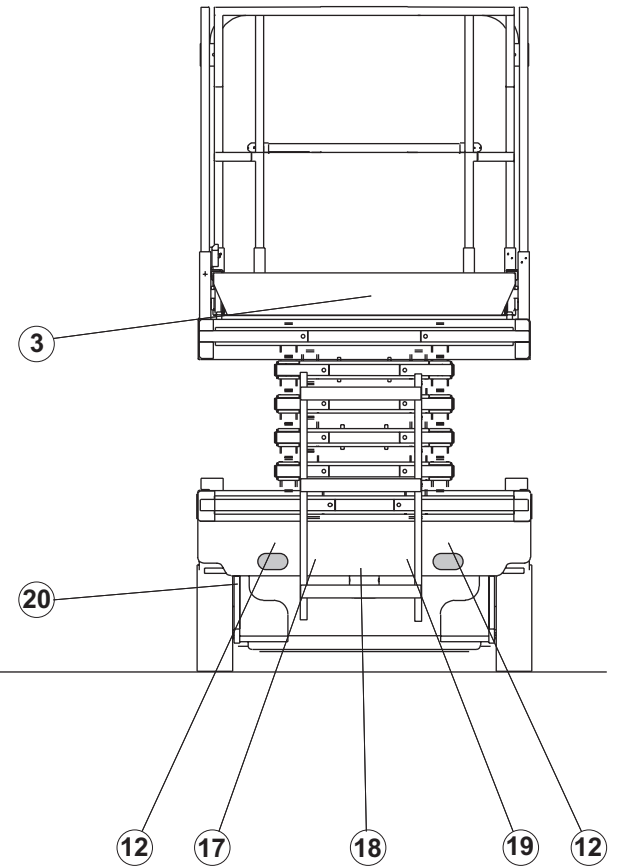
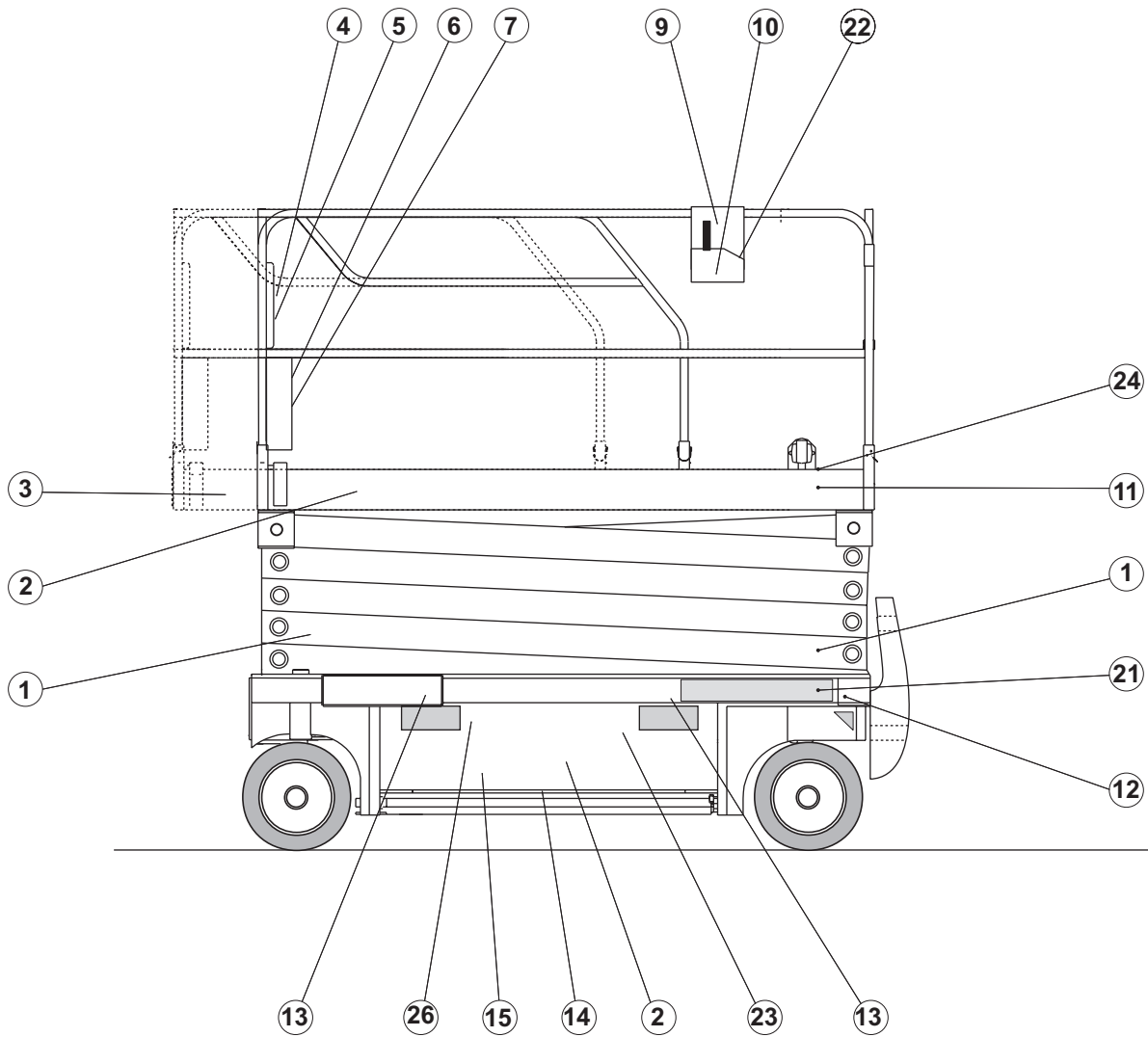
D16106



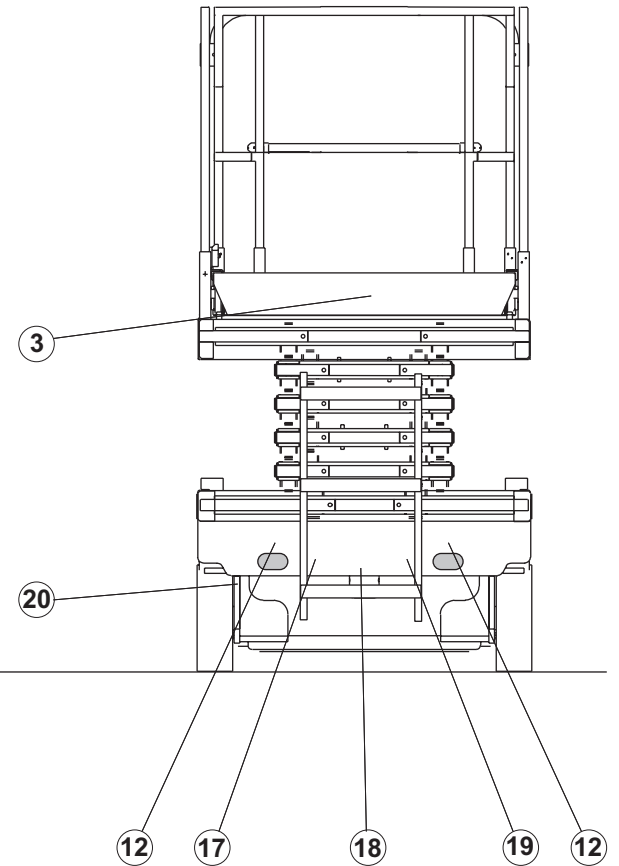
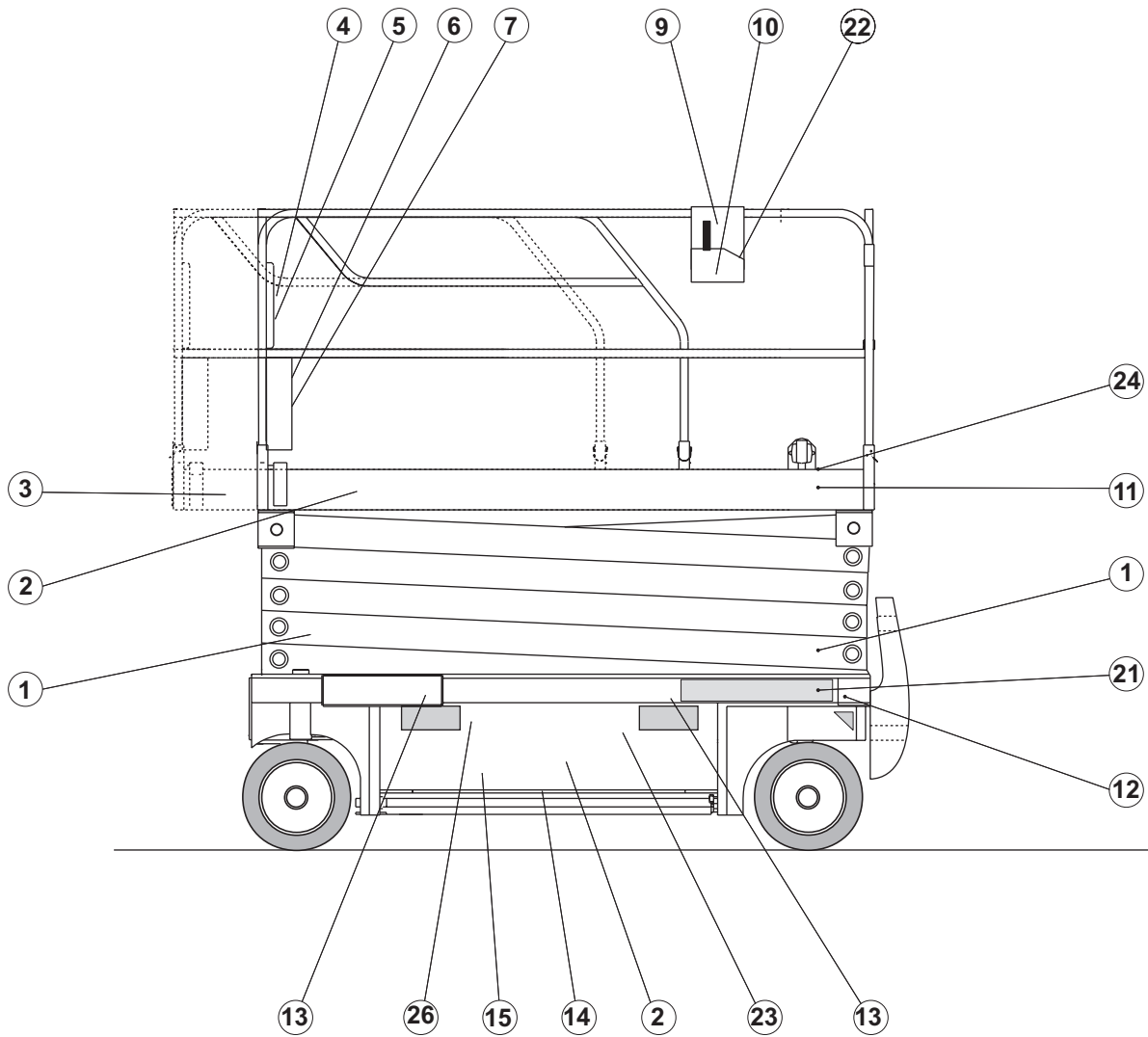
D16106

▲ **Australie**
Australia

| Rep. | Désignation | Designation | Specification | Qty | Code | Up to / jusqu'à |
|------|-----------------------------------|----------------------------------|---------------|-----|------------|-----------------|
| | Catalogue PR | Spare parts catalogue | | 1 | 2420315520 | |
| 1 | Etiquette "Ecrasement main" | « Hand crushing » label | | 4 | 3078145080 | |
| 2 | Etiquette | Label | "Compact 12" | 2 | 3078145150 | |
| 3 | Etiquette "Ne pas stationner" | « Do not park » park | | 2 | 3078143800 | |
| 4 | Etiquette "Hauteur plancher..." | « Floor height... » label | | 1 | 3078144620 | |
| 6 | Etiquette "Lire manuel" | « Read manual » label | | 1 | 3078143680 | |
| 7 | Etiquette "Sens translation" | « Direction of travel » label | | 1 | 3078145100 | |
| 8 | Etiquette "Electrocution" | « Electrocution » label | | 1 | 3078143810 | |
| 9 | Etiquette "Charge batterie" | « Battery charge » label | | 1 | 3078144630 | |
| 10 | Etiquette "Arrêt descente" | « Stop lowering » label | | 1 | 3078144710 | |
| 11 | Etiquette "HAULOTTE" | « HAULOTTE » label | | 2 | 1250127590 | |
| 12 | Etiquette "Crochet encrage" | « Anchoring hook » label | | 1 | 3078145110 | |
| 13 | Etiquette "Fourche chariot" | « Truck fork » label | | 4 | 3078143830 | |
| 14 | Etiquette "Défreinage" | « Brake release » label | | 1 | 3078144680 | |
| 15 | Etiquette "Ecrasement pieds" | «feet crushing » label | | 2 | 3078144670 | |
| 16 | Etiquette "Consignes utilisation" | « Operating instructions » label | | 1 | 3078144580 | |
| 17 | Etiquette "Entretien batterie" | « Battery servicing » label | | 1 | 3078143510 | |
| 18 | Etiquette "Dévers" | « Tilt » label | | 1 | 3078144650 | |
| 19 | Etiquette "Port de vêtement..." | « Wearing of clothes » label | | 1 | 3078143610 | |
| 20 | Etiquette "Vérouillage tiroir..." | « Lock spool » label | | 1 | 3078145310 | |
| 21 | Etiquette "Pupitre bas" | « Bottom panel » label | | 1 | 3078145060 | |
| 22 | Etiquette "Pupitre nacelle" | « Gantry panel » label | | 1 | 3078145090 | |
| 23 | Etiquette "Masse soudure" | « Welding earth » label | | 1 | 3078143600 | |
| 24 | Etiquette "Prise 220V" | « 220 V socket » label | | 1 | 3078143540 | |
| 25 | Rivet | Rivet | Ø3,2 X 9,5 | 4 | 2421803570 | |
| 25 | Plaque constructeur | Manufacturer's name plate | | 1 | 3078143270 | |



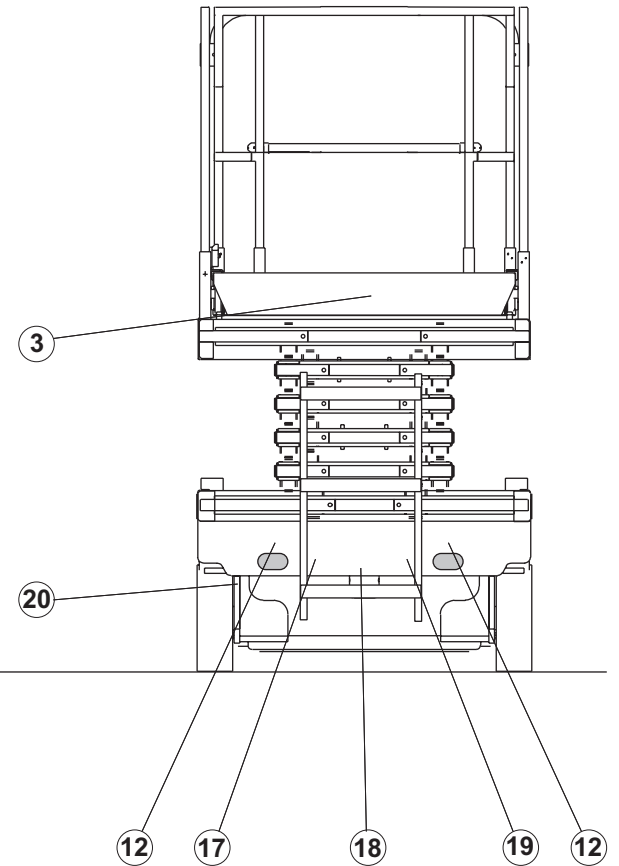
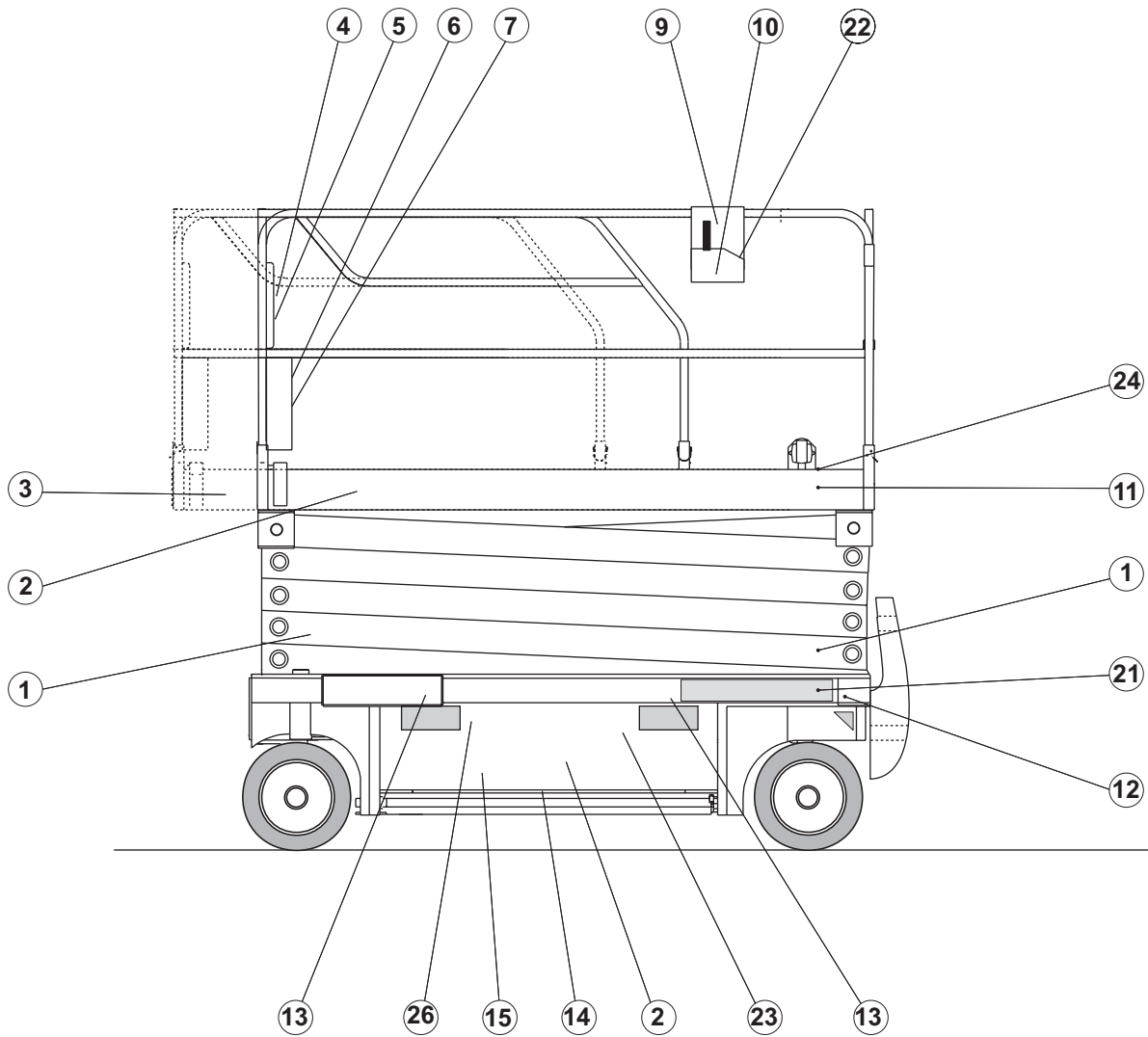
D16106



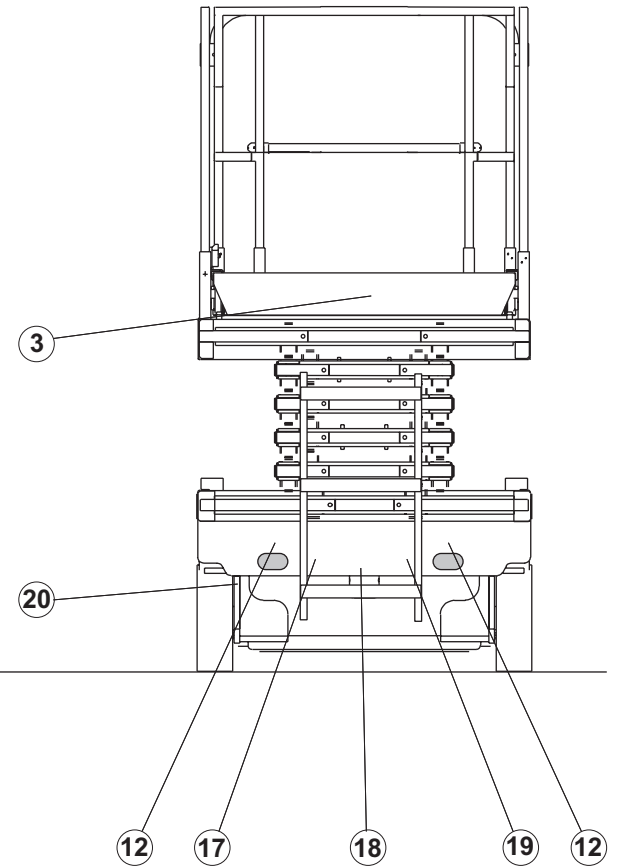
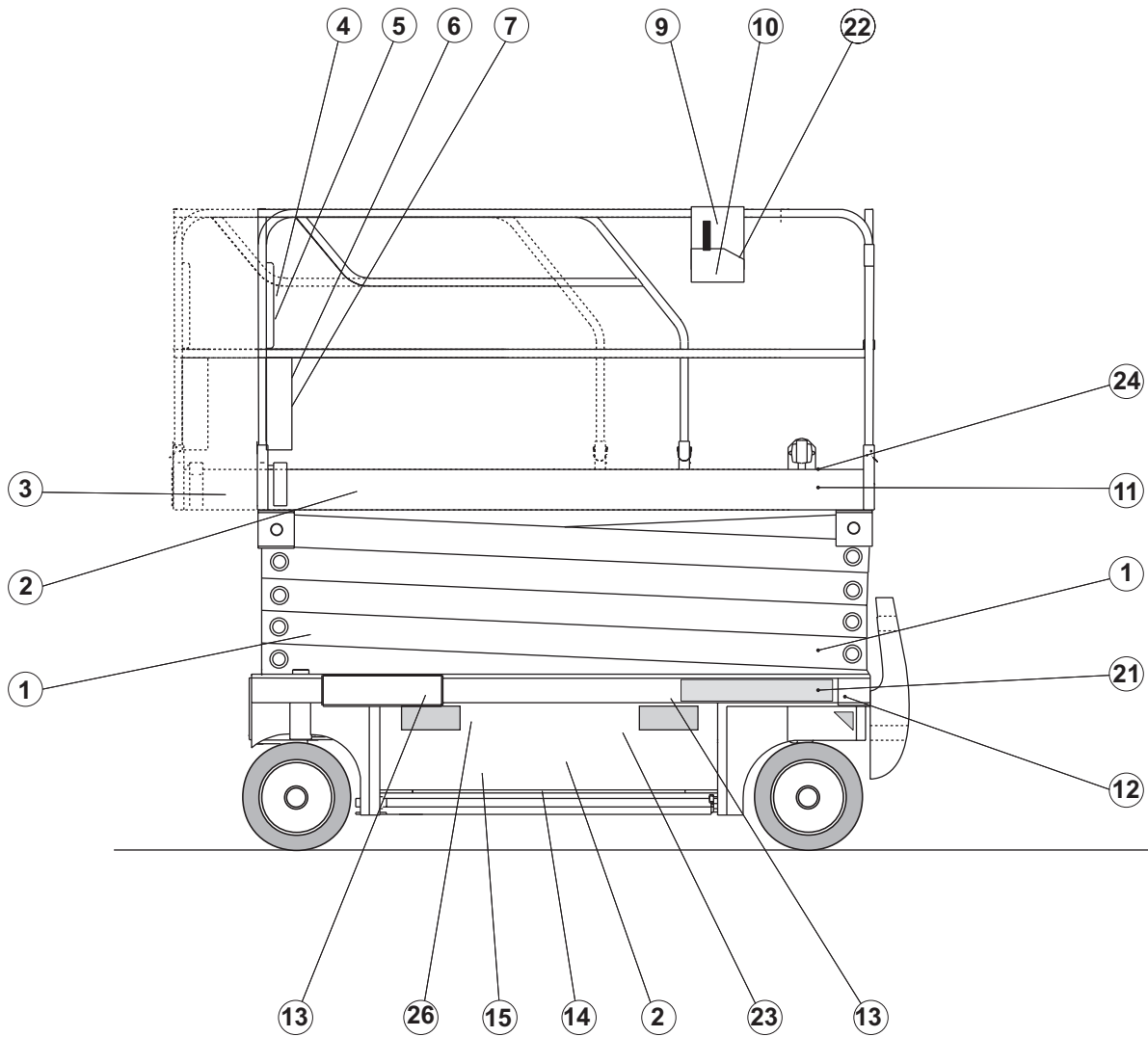
D16106

**▲ Danemark
Denmark**

| Rep. | Désignation | Designation | Specification | Qty | Code | Up to / jusqu'à |
|------|-----------------------------------|----------------------------------|---------------|-----|------------|-----------------|
| | Catalogue PR | Spare parts catalogue | | 1 | 2420315520 | |
| | Manuel CE | Operator's manual | | 1 | 2420315470 | |
| 1 | Etiquette "Ecrasement main" | « Hand crushing » label | | 4 | 3078145080 | |
| 2 | Etiquette | Label | "Compact 12" | 2 | 3078145150 | |
| 3 | Etiquette "Ne pas stationner" | « Do not park » park | | 2 | 3078143800 | |
| 4 | Etiquette "Hauteur plancher..." | « Floor height... » label | | 1 | 3078145500 | |
| 6 | Etiquette "Lire manuel" | « Read manual » label | | 1 | 3078143680 | |
| 7 | Etiquette "Sens translation" | « Direction of travel » label | | 1 | 3078145100 | |
| 8 | Etiquette "Electrocution" | « Electrocution » label | | 1 | 3078143810 | |
| 9 | Etiquette "Charge batterie" | « Battery charge » label | | 1 | 3078144630 | |
| 10 | Etiquette "Arrêt descente" | « Stop lowering » label | | 1 | 3078145320 | |
| 11 | Etiquette "HAULOTTE" | « HAULOTTE » label | | 2 | 1250127590 | |
| 12 | Etiquette "Crochet encrage" | « Anchoring hook » label | | 1 | 3078145110 | |
| 13 | Etiquette "Fourche chariot" | « Truck fork » label | | 4 | 3078143830 | |
| 14 | Etiquette "Défreinage" | « Brake release » label | | 1 | 3078144680 | |
| 15 | Etiquette "Ecrasement pieds" | « feet crushing » label | | 2 | 3078144670 | |
| 16 | Etiquette "Consignes utilisation" | « Operating instructions » label | | 1 | 3078144940 | |
| 17 | Etiquette "Entretien batterie" | « Battery servicing » label | | 1 | 3078143510 | |
| 18 | Etiquette "Dévers" | « Tilt » label | | 1 | 3078144650 | |
| 19 | Etiquette "Port de vêtement..." | « Wearing of clothes » label | | 1 | 3078143610 | |
| 20 | Etiquette "Vérouillage tiroir..." | « Lock spool » label | | 1 | 3078145310 | |
| 21 | Etiquette "Pupitre bas" | « Bottom panel » label | | 1 | 3078145060 | |
| 22 | Etiquette "Pupitre nacelle" | « Gantry panel » label | | 1 | 3078145090 | |
| 23 | Etiquette "Masse soudure" | « Welding earth » label | | 1 | 3078143600 | |
| 24 | Etiquette "Prise 220V" | « 220 V socket » label | | 1 | 3078143540 | |
| 25 | Rivet | Rivet | Ø3,2 X 9,5 | 4 | 2421803570 | |

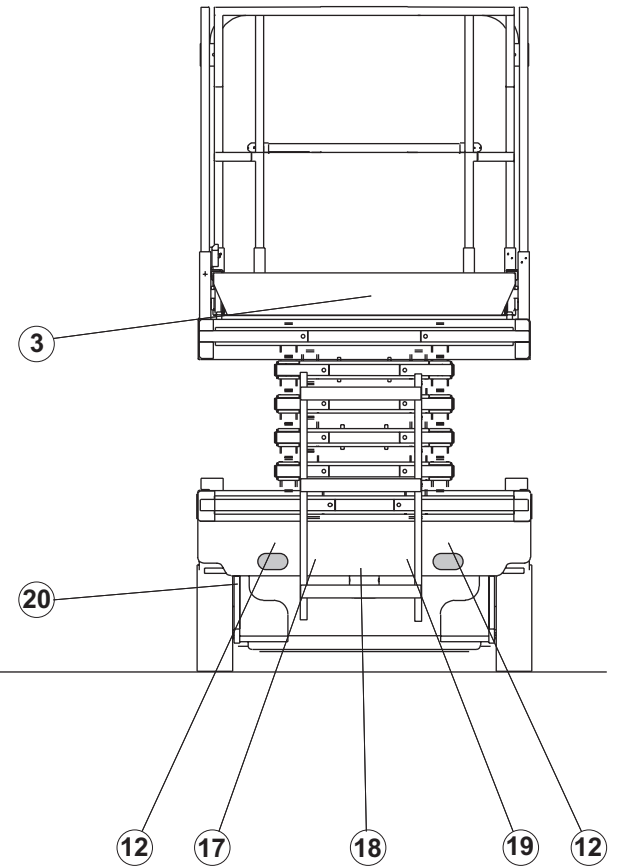
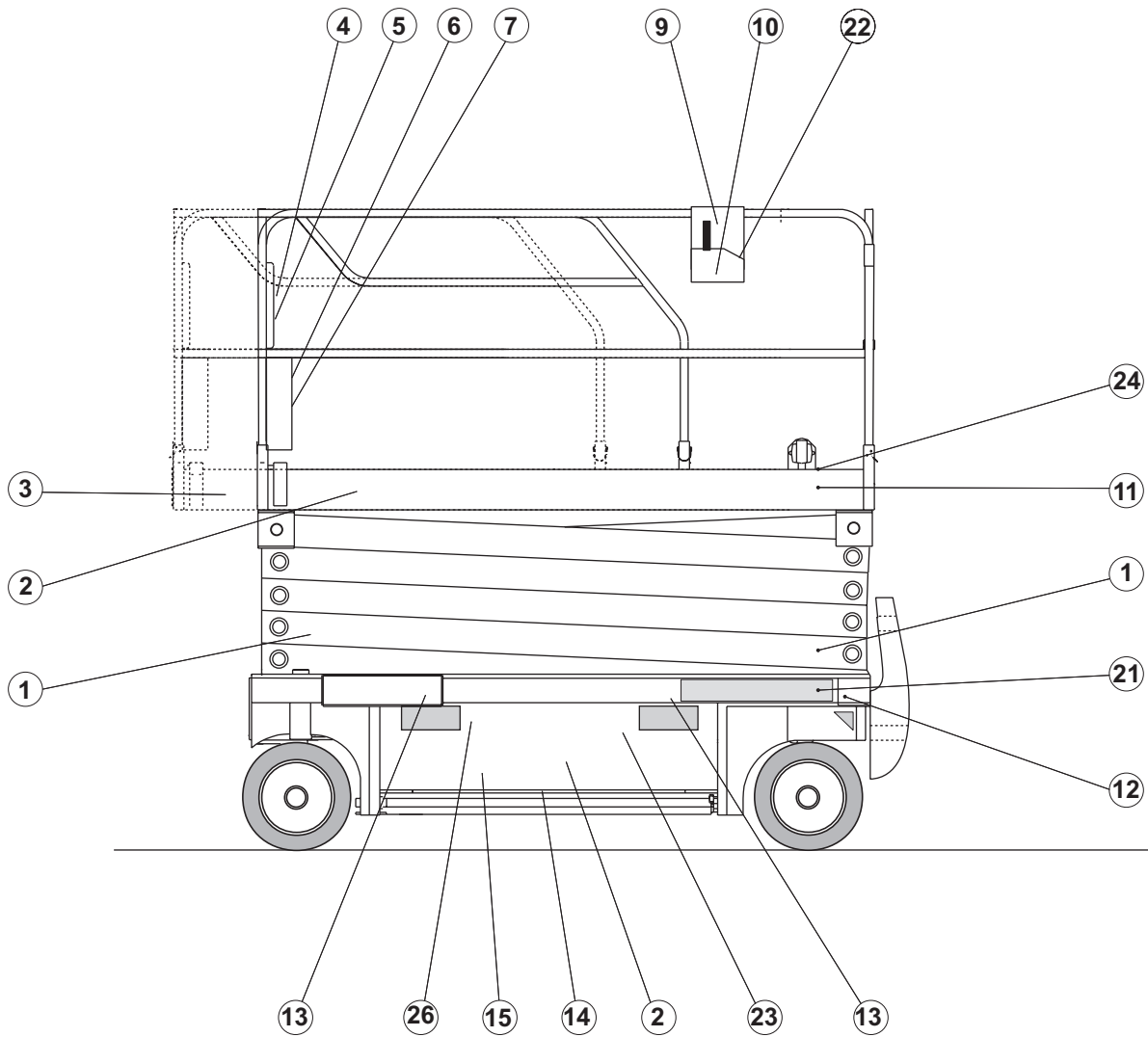


D16106

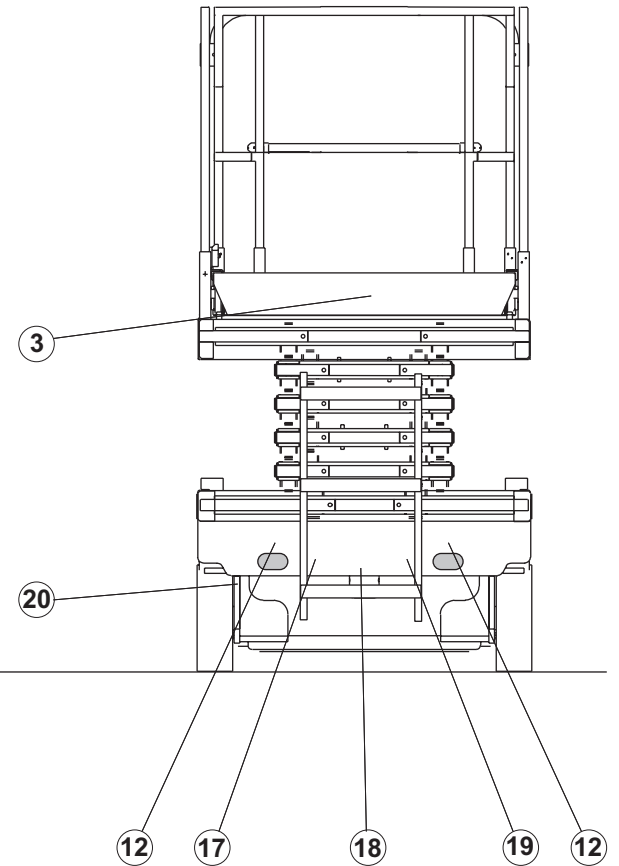
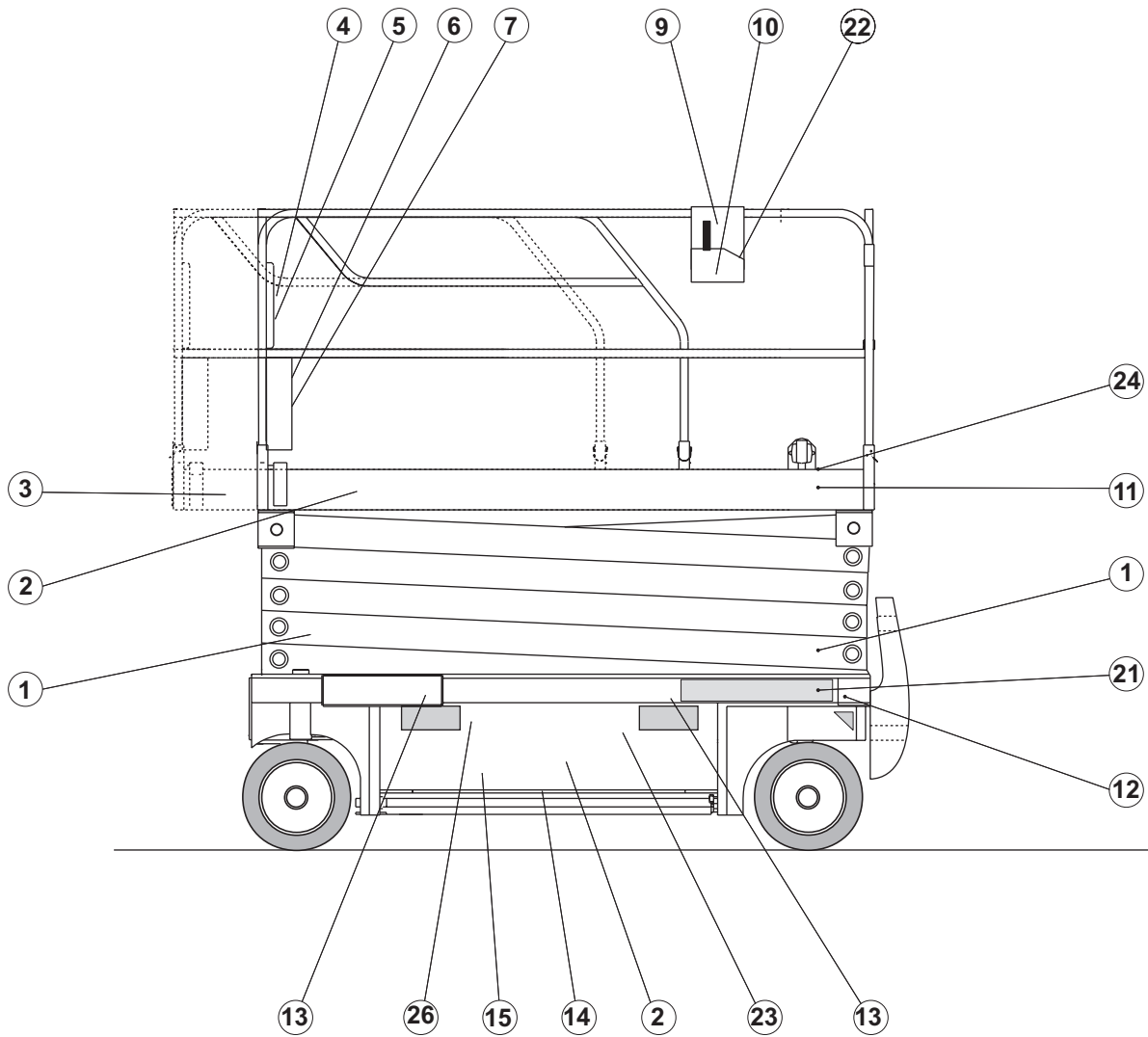


D16106

| Rep. | Désignation | Designation | Specification | Qty | Code | Up to / jusqu'à |
|------|-----------------------------------|----------------------------------|---------------|-----|------------|-----------------|
| | Catalogue PR | Spare parts catalogue | | 1 | 2420315520 | |
| | Manuel CE | Operator's manual | | 1 | 2420315480 | |
| 1 | Etiquette "Ecrasement main" | « Hand crushing » label | | 4 | 3078145080 | |
| 2 | Etiquette | Label | "Compact 12" | 2 | 3078145150 | |
| 3 | Etiquette "Ne pas stationner" | « Do not park » park | | 2 | 3078143800 | |
| 4 | Etiquette "Hauteur plancher..." | « Floor height... » label | | 1 | 3078145530 | |
| 6 | Etiquette "Lire manuel" | « Read manual » label | | 1 | 3078143680 | |
| 7 | Etiquette "Sens translation" | « Direction of travel » label | | 1 | 3078145100 | |
| 8 | Etiquette "Electrocution" | « Electrocution » label | | 1 | 3078143810 | |
| 9 | Etiquette "Charge batterie" | « Battery charge » label | | 1 | 3078144630 | |
| 10 | Etiquette "Arrêt descente" | « Stop lowering » label | | 1 | 3078144710 | |
| 11 | Etiquette "HAULOTTE" | « HAULOTTE » label | | 2 | 1250127590 | |
| 12 | Etiquette "Crochet encrage" | « Anchoring hook » label | | 1 | 3078145110 | |
| 13 | Etiquette "Fourche chariot" | « Truck fork » label | | 4 | 3078143830 | |
| 14 | Etiquette "Défreinage" | « Brake release » label | | 1 | 3078144680 | |
| 15 | Etiquette "Ecrasement pieds" | « feet crushing » label | | 2 | 3078144670 | |
| 16 | Etiquette "Consignes utilisation" | « Operating instructions » label | | 1 | 3078145540 | |
| 17 | Etiquette "Entretien batterie" | « Battery servicing » label | | 1 | 3078143510 | |
| 18 | Etiquette "Dévers" | « Tilt » label | | 1 | 3078144650 | |
| 19 | Etiquette "Port de vêtement..." | « Wearing of clothes » label | | 1 | 3078143610 | |
| 20 | Etiquette "Vérouillage tiroir..." | « Lock spool » label | | 1 | 3078145310 | |
| 21 | Etiquette "Pupitre bas" | « Bottom panel » label | | 1 | 3078145060 | |
| 22 | Etiquette "Pupitre nacelle" | « Gantry panel » label | | 1 | 3078145090 | |
| 23 | Etiquette "Masse soudure" | « Welding earth » label | | 1 | 3078143600 | |
| 24 | Etiquette "Prise 220V" | « 220 V socket » label | | 1 | 3078143540 | |
| 25 | Rivet | Rivet | Ø3,2 X 9,5 | 4 | 2421803570 | |



D16106

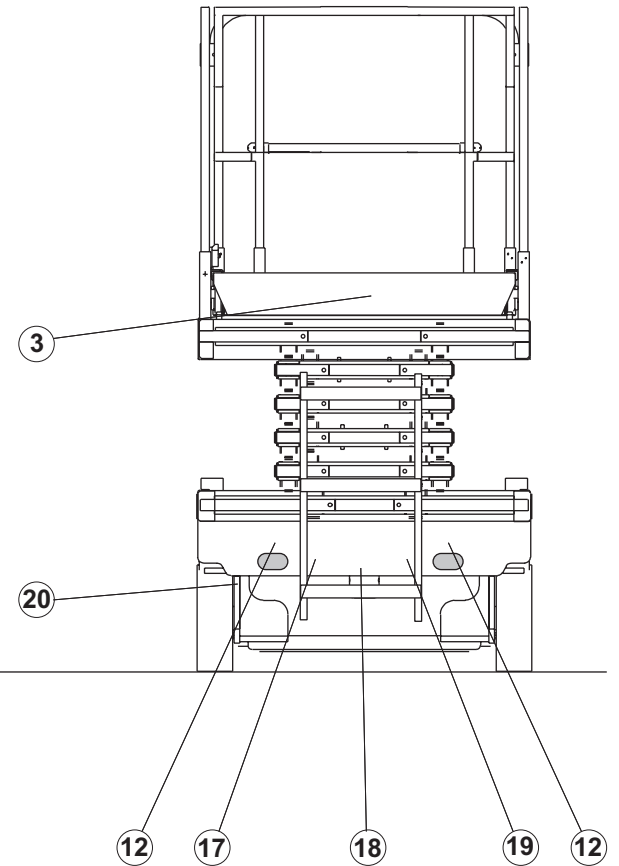
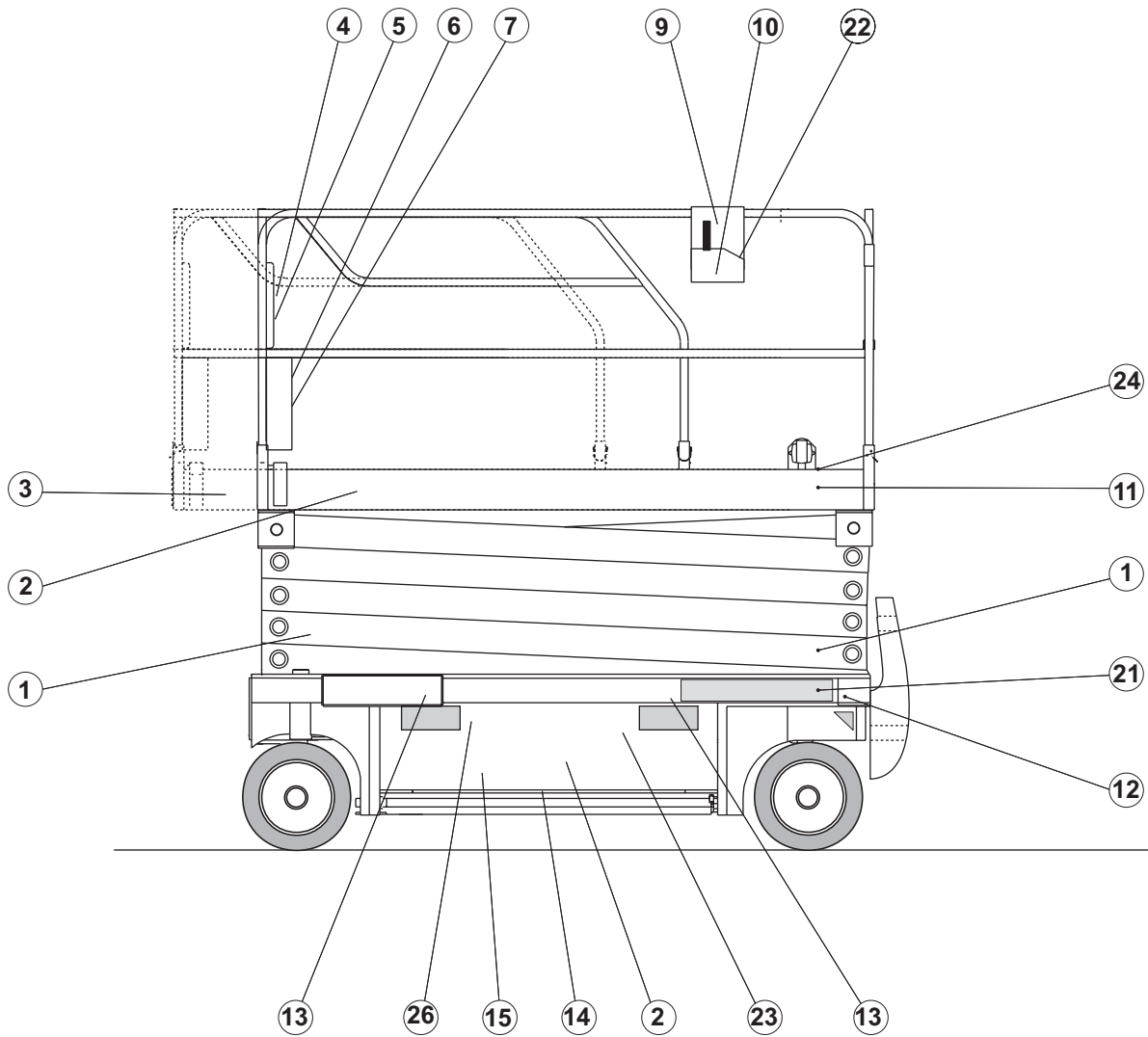


D16106

▲ Portugal
Portugal

◀ F10
1/2 ▶

| Rep. | Désignation | Designation | Specification | Qty | Code | Up to / jusqu'à |
|------|-----------------------------------|----------------------------------|---------------|-----|------------|-----------------|
| | Catalogue PR | Spare parts catalogue | | 1 | 2420315520 | |
| | Manuel CE | Operator's manual | | 1 | 2420315500 | |
| 1 | Etiquette "Ecrasement main" | « Hand crushing » label | | 4 | 3078145080 | |
| 2 | Etiquette | Label | "Compact 12" | 2 | 3078145150 | |
| 3 | Etiquette "Ne pas stationner" | « Do not park » park | | 2 | 3078143800 | |
| 4 | Etiquette "Hauteur plancher..." | « Floor height... » label | | 1 | 3078145330 | |
| 6 | Etiquette "Lire manuel" | « Read manual » label | | 1 | 3078143680 | |
| 7 | Etiquette "Sens translation" | « Direction of travel » label | | 1 | 3078145100 | |
| 8 | Etiquette "Electrocution" | « Electrocution » label | | 1 | 3078143810 | |
| 9 | Etiquette "Charge batterie" | « Battery charge » label | | 1 | 3078144630 | |
| 10 | Etiquette "Arrêt descente" | « Stop lowering » label | | 1 | 3078144640 | |
| 11 | Etiquette "HAULOTTE" | « HAULOTTE » label | | 2 | 1250127590 | |
| 12 | Etiquette "Crochet encrage" | « Anchoring hook » label | | 1 | 3078145110 | |
| 13 | Etiquette "Fourche chariot" | « Truck fork » label | | 4 | 3078143830 | |
| 14 | Etiquette "Défreinage" | « Brake release » label | | 1 | 3078144680 | |
| 15 | Etiquette "Ecrasement pieds" | « feet crushing » label | | 2 | 3078144670 | |
| 16 | Etiquette "Consignes utilisation" | « Operating instructions » label | | 1 | 3078143420 | |
| 17 | Etiquette "Entretien batterie" | « Battery servicing » label | | 1 | 3078143510 | |
| 18 | Etiquette "Dévers" | « Tilt » label | | 1 | 3078144650 | |
| 19 | Etiquette "Port de vêtement..." | « Wearing of clothes » label | | 1 | 3078143610 | |
| 20 | Etiquette "Vérouillage tiroir..." | « Lock spool » label | | 1 | 3078145310 | |
| 21 | Etiquette "Pupitre bas" | « Bottom panel » label | | 1 | 3078145060 | |
| 22 | Etiquette "Pupitre nacelle" | « Gantry panel » label | | 1 | 3078145090 | |
| 23 | Etiquette "Masse soudure" | « Welding earth » label | | 1 | 3078143600 | |
| 24 | Etiquette "Prise 220V" | « 220 V socket » label | | 1 | 3078143540 | |
| 25 | Rivet | Rivet | Ø3,2 X 9,5 | 4 | 2421803570 | |



D16106

| English | Deutsch | Nederlands | Danska |
|----------------------------------|--|------------------------------------|-------------------------------------|
| « 220 V socket » label | Etikett "220V-Anschluß" | Etiket "Stekker 220V" | Etiket "220 V-stik" |
| « Anchoring hook » label | Etikett "Verankerungshaken" | Etiket "Ankerhaak" | Etiket "Fastspændingskrog" |
| « Battery charge » label | Etikett "Batterieladung" | Etiket "Accu laden" | Etiket "Batteriopladning" |
| « Battery servicing » label | Etikett "Wartung Batterie" | Etiket "Onderhoud accu" | Etiket "Vedligeholdelse af batteri" |
| « Bottom panel » label | Etikett "Schaltpult unten" | Etiket "Laag paneel" | Etiket "Nederste kontrolpanel" |
| « Brake release » label | Etikett "Lösen der Bremsen" | Etiket "Afremmen" | Etiket "Inaktivering" |
| « Direction of travel » label | Etikett "Fahrtrichtung" | Etiket "Translatierichting" | Etiket "Køreretning" |
| « Do not park » park | Etikett "Parkverbot" | Etiket "Niet parkeren" | Etiket "Parkering forbudt" |
| « Electrocutation » label | Etikett "Berührungsgefahr" | Etiket "Elektrocutie" | Etiket "Elektrisk stød" |
| « Floor height... » label | Etikett "Fußbodenhöhe..." | Etiket "Hoogte van de vloer ..." | Etiket "Platformshøjde..." |
| « Gantry panel » label | Etikett "Schaltpult Bühne" | Etiket "Paneel gondel" | Etiket "Kontrolpanel lift" |
| « Hand crushing » label | Etikett "Quetschungsgefahr Hände" | Etiket "Verplettingsgevaar handen" | Etiket "Masning af hånd" |
| « HAULOTTE » label | Etikett "HAULOTTE" | Etiket "HAULOTTE" | Etiket "HAULOTTE" |
| « Hydraulic oil » label | Etikett "Hydrauliköl" | Etiket "hydraulische olie" | Etiket "Hydraulikolie" |
| « Lock spool » label | Etikett "Verriegelung Schubfach..." | Etiket "Vergrendeling schuif ..." | Etiket "Låsning af skuffe..." |
| « Operating instructions » label | Etikett "Bedienungshinweise" | Etiket "Gebruiksaanwijzingen" | Etiket "Driftsanvisninger" |
| « Read manual » label | Etikett "Handbuch lesen" | Etiket "Handleiding lezen" | Etiket "Læs vejledning" |
| « Stop lowering » label | Etikett "Abschaltung Absenkung" | Etiket "Stilstand dalen" | Etiket "Stop nedsænkning" |
| « Tilt » label | Etikett "Neigung" | Etiket "Overhelling" | Etiket "Hældning" |
| « Truck fork » label | Etikett "Wagen-Gabel" | Etiket "Wagenvork" | Etiket "Truckgaffel" |
| « Wearing of clothes » label | Etikett "Tragen von Schutzkleidung..." | Etiket "Dragen van kleding ..." | Etiket "Påklædning..." |
| « Welding earth » label | Etikett "Schweißmasse" | Etiket "Lasmassa" | Etiket "Svejseemne" |
| « feet crushing » label | Etikett "Quetschungsgefahr Füße" | Etiket "Verplettingsgevaar voeten" | Etiket "Masning af fod" |
| adaptor | Adapter | Aanpassing | Adapter |
| Adjustable bend | Ausrichtbarer Krümmer | Richtbare knie | Drejbar bøjning |
| Anti-tipping over device | Kippschutz | Pothole | Tipsikring |
| Australia | Australien | Australië | Australien |

| English | Deutsch | Nederlands | Danska |
|-------------------------|------------------------------|--------------------------|---------------------|
| Auxiliary contact | Hilfskontakt | Hulpcontact | Ekstra kontakter |
| Axe | Achse | As | Aksel |
| Ball | Kugel | Bol | Cylinderhoved |
| Base | Ansatz | Basis | Fodplade |
| Base | Sockel | Sokkel | Fundament |
| Battery box | Batteriekasten | Accubak | Batterihus |
| Battery charger | Akku-ladegerät | Acculader | Batterilader |
| Battery cut-off | Batterieabschaltung | Accuverbreker | Batterihus |
| Battery strap | Batteriegurt | Accuriem | Strop til batteri |
| Bearing plate | Stützplatte | Steunplaat | Fodplade |
| Bend | Krümmen | Knie | Bøjning |
| Bottom part | Unterer bereich | Onderste gedeelte | Nederste del |
| Bottom part box | Schaltkasten unterer Bereich | Koffer onderste gedeelte | Skab nederste del |
| Box | Kasten | Doos | Hus |
| Brace | Zwischenstück | Tussenstuk | Mellemstykke |
| Braid (not felt) | Band (kein filz) | Niet-vilten galon | Kant ikke filt |
| Brake | Bremse | Rem | Bremse |
| Bundle | Kabelstrang | Bundel | Bundt |
| Buzzer | Warnhupe | Alarminrichting | Advarselssignal |
| Cable | Kabel | Kabel | Kabel |
| Cable clip | Befestigungsschelle | Bevestigingsbeugel | Fastspændingsklemme |
| Cables | Verdrahtung | Bedrading | Kabelføring |
| Caliper | Bügel | Bügel | Bøjle |
| Cam | Nocke | Nok | Knast |
| Central hydraulic plant | Hydraulikzentrale | Hydraulische centrale | Hydraulisk central |
| Chock | Keil | Wig | Kile |
| Circlips | Sicherungsbügel | Klemmen | Låsering |
| Collar | Ring | Ring | Ring |
| Collar | Schelle | Band | Klemme |

| English | Deutsch | Nederlands | Danska |
|--------------------|--------------------------|----------------------------|--------------------------|
| Complete body | Schaltekörper | Compleet huis | Komplet kappe |
| Crimp | Kabelschuh | Poolklem | Polsko |
| Cut-off | Abschaltung | Verbreking | Adskillelse |
| Cutter unit | Scheren | Samenstel schaar | Saksudstyr |
| Cylinder | Zylinder | Cilinder | Cylinder |
| Cylinder axis | Zylinderachse | Cilinderas | Cylinderaksel |
| Denmark | Dänmark | Denemarken | Danmark |
| Diode | Diode | Diode | Diode |
| Direction cylinder | Führungszylinder | Stuurcilinder | Kørselscylinder |
| Direction lever | Lenkhebel | Stuurhendel | Løftestang til retning |
| Direction pivot | Lenkzapfen | Stuurpen | Styringsaksel |
| Distribution block | Verteilblock | Verdeelblok | Fordelingshus |
| Document box | Dokumentenfach | Documentenkast | Dokumenthus |
| Duct | Hülle | Buis | Kanal |
| Electric diagram | Stromlaufplan | Elektrisch schema | Elektricitetsskema |
| Electricity | Elektrizität | Elektriciteit | Elektricitet |
| Emergency control | Sicherheitssteuerung | Noodbediening | Sikkerhedsstyring |
| End fitting | Endstück | Eindstuk | Endemuffe |
| End of travel | Endlage hub | Eindschakelaar Heffen | Endestop, løft |
| Equal T-piece | Gleichseitiges t-stück | Gelijke T | T-stykker |
| Even bend | Gleichseitiger krümmer | Gelijke knie | Ens bøjning |
| Extension top bar | Obere Stange Erweiterung | Bovenste stang uitbreiding | Øverste stang, udvidelse |
| Exterior arm | Äusserer arm | Buitenste arm | Udvendige arm |
| Exterior right arm | Äusserer rechter arm | Buitenste arm rechts | Højre udvendige arm |
| Finland | | | |
| Flange | Flansch | Beugel | Beslag |
| Flashing light | Blinkfeuer | Schijnlicht | Blinklys |
| Flat washer | Flache unterlegscheibe | Platte ring | Flad skive |
| Flexible | Schlauch | Flexibele verbinding | Slange |

| English | Deutsch | Nederlands | Danska |
|-------------------------------|---------------------------|--------------------------|----------------------|
| Flooring extension | Bodenerweiterung | Plaatverlenging | Udvidelse gulv |
| Frame cowling | Abdeckung gestell | Kappen frame | Skærm til chassis |
| France | Frankreich | Frankrijk | Frankrig |
| Fuse | Sicherung | Zekering | Sikring |
| Fuse holder | Sicherungshalter | Zekeringhouder | Sikringsholder |
| Gantry cabinet | Schaltkasten Bühne | Kast gondel | El-kasse kurv |
| Germany | Deutschland | Duitsland | Tyskland |
| Grease point | Schmiervorrichtung | Smeerpot | Smøreapparat |
| Guide bar | Führungsstange | Geleidingsstang | Styrestang |
| Holder | Halterung | Steun | Konsol |
| hood | Abdeckung | Kap | Kappe |
| Hydraulic diagram | Hydraulikschema | Hydraulisch schema | Hydraulisk skema |
| Hydraulic installation | Hydraulikanlage | Hydraulische installatie | Hydraulisk anlæg |
| Hydraulic motor | Hydraulikmotor | Hydraulische motor | Hydraulisk motor |
| Hydraulic reservoir | Wassertank | Hydraulisch reservoir | Hydrauliktank |
| Hydraulics | Hydraulik | Hydraulisch | Hydraulik |
| Inclined output plug | Geneigter Ausgangsstecker | Schuine uitgangstekker | Skråt udgangsstik |
| Indicator | Anzeiger | Indicator | Indikator |
| Interior arm | Innerer arm | Binnenste arm | Indre arm |
| Italy | Italien | Italië | Italien |
| Jet fitting | Anschluß Einspritzdüse | Verbinding sproeistuk | Forbindelsesled dyse |
| Knurled screw | Rändelschraube | Gekartelde schroef | Riflet skrue |
| Label | Etikett | Etiket | Etikette |
| Lamp | Leuchte | Lamp | Lampe |
| Latch | Riegel | Pal | Lås |
| Left anti-tipping over device | Kippschutz links | Pothole links | Tipsikring, venstre |
| Left hood | Linke Schutzabdeckung | Linker kap | Venstre skærm |
| Left pivot | Linker drehzapfen | Linker pen | Tap venstre |
| Left tube | Rohr links | Buis links | Venstre rør |

| English | Deutsch | Nederlands | Danska |
|-----------------------------------|--|---|-------------------------|
| lift cylinder | Hubzylinder | Hefcilinder | Løftecylinder |
| Link rod | Schwingarm | Drijfstang | Lille forbindelsesstang |
| Lobe wheel | Keulenrad | Gelobt stuur | Håndhjul med knaster |
| Lock | Spindel | Pen | Tap |
| Lock nut | Gegenmutter | Contramoer | Kontramøtrik |
| Mains supply | Netzstromversorgung | Netvoeding | Forsyningsnet |
| Male union piece | Anschlußstück mit außengewinde | Intredende verbinding | Samling han |
| Manufacturer's name plate | Firmenschild des Herstellers | Plaat van de constructeur | Fabrikantskilt |
| Maulstick | Handstütze | Handsteun | Gelænder |
| Motor guiding axle | Antriebsführungsachse | Drijf/stuuras | Motoraksel |
| Mushroom-headed button | Faustschlagknopf | Drukknop vuisslag | Håndpumpe-knap |
| Netherlands | Holland | Holland | Holland |
| Non-slip adhesive tape | Rutschfestes Haftmittel | Anti-slip-sticker | Skridsikker tape |
| Nut | Mutter | Moer | Møtrik |
| Oil filter | Ölfilter | Oliefilter | Oliefilter |
| Operator's manual | Bedienungs- und Wartungshandbuch | Besturings- en onderhoudsinstructies | EU-betjeningsvejledning |
| O-ring | O-ringdichtung | Afdichtring | O-ring |
| Packing box | Stopfbüchse | Pakkingbus | Pakdåse |
| Pedal | Pedal | Pedaal | Pedal |
| Pin | Stift | Pen | Metalstift |
| Plate | Blech | Plaat | Plade |
| Platform | Plattform | Platform | Platform |
| Platform top bar | Obere Stange Plattform | Bovenste stang platform | Øverste stang, platform |
| Platform with foldable guard rail | Plattform mit umklappbarem Geländer | Platform met neerklapbare leuning | Platform med n |
| Plug | Stecker | Fiche | Stik |
| Plug socket | Anschluß | Aansluiting | Stik |
| Portugal | | | |
| Position switch | Positionsschalter | Positieschakelaar | Stillingskobler |

| English | Deutsch | Nederlands | Danska |
|--------------------------------|-------------------------------|-----------------------------------|---------------------------|
| Positioning washer | Positionierscheibe | Positioneringsring | Positionsskive |
| Printed circuit | Bedruckte leiterplatte | Gedrukte schakeling | Trykt kredsløb |
| Prise minimess | Minimess-anschluß | Minimess aansluiting | Stik |
| Protection | Geländer | Reling | Rækværk |
| Protective plate | Schutzplatte | Beschermingsplaat | Beskyttelsesplade |
| Pump motor unit | Motorpumpe | Motorpompgroep | Gruppe motorpumpe |
| Rear axle | Hinterachse | Achteras | Bagaksel |
| Reducer | Getriebe | Vertrager | Reduktor |
| Reducer packing box | Stopfbüchse getriebe | Pakkingsbus reductor | Pakdåse reduktor |
| Reduction | Untersetzung | Vertraging | Reduktion |
| Remote control | Fernbedienung | Afstandsbesturing | Fjernbetjening |
| Retaining bracket | Befestigungseisen | Bevestigingspoot | Fastgørelsestap |
| Right anti-tipping over device | Kippschutz rechts | Pothole rechts | Tipsikring, højre |
| Right hood | Rechte Schutzabdeckung | Rechter kap | Højre skærm |
| Right tube | Rohr rechts | Buis rechts | Højre rør |
| Rivet | Niet | Niet | Nitte |
| Roller | Rolle | Wieltje | Rulle |
| Rolling frame | Rollgestell | Rijdend chassis | Rullende chassis |
| Rotary knob | Drehknopf | Draaiknop | Drejeknap |
| Rotating even bend | Gleichseitiger drehkrümmer | Draaiende gelijke knie | Ens drejende bøjning |
| Rubber ring | Gummiring | Elastische ring | Elastik ring |
| Rubber washer | Flexible unterlegscheibe | Elastische ring | Sikringssskive |
| Safety support | Sicherungswinkel | Veiligheidswinkelhaak | Sikkerhedsvinkel |
| Screw | Schraube | Schroef | Skruer |
| Seal | Verschuß | Afsluiter | Pakningsventil |
| Serial board | Serial-Karte | Seriële kaart | Serielt kort |
| Single-axis controller | Steuerhebel 1 achse | Seingever 1 assen | Manipulator 1 aksel |
| Single-pole toggle switch | Einpoliger schalter mit hebel | Enkelpolige Schakelaar met hendel | Enpolet vippeafbryder til |
| Skate | Unterlage | Glijder | Klods |

| English | Deutsch | Nederlands | Danska |
|-----------------------|---------------------------------|-----------------------------|--------------------|
| Small chain | Kette | Kettinkje | Lille kæde |
| Smooth male slot | Glatter bügel | Gladde intredende beugel | Afretning |
| Socket | Zeigerbefestigung | Enbus | Bøsning |
| Solenoid valve | Elektroventil | Elektroventiel | Elektroventil |
| Spacer | Unterlegkeil | Wig met dikte | Afstandsklods |
| Spain | Spanien | Spanje | Spanien |
| Spare parts catalogue | Ersatzteilkatalog | Catalogus vervangonderdelen | Reservedelskatalog |
| Spotlight | Scheinwerfer | Projector | Projektør |
| Spring | Feder | Veer | Fjeder |
| Step | Leiter | Instap | Trinbræt |
| Stop | Anschlag | Aanslag | Endestop |
| Support | Stütze | Stut | Støtteben |
| Switch | Schalter | Schakelaar | Afbryder |
| Tilt detector | Neigungserfassung | Detector van overhelling | Hældningsdetektor |
| Tooth lock washer | Zahnscheibe | Getande ring | Spændetandskive |
| Traction battery | Zugbatterie | Tractie batterij | Batteri til kørsel |
| Trunking | Rinne | Gootje | Slisk |
| UK | England | Engeland | England |
| Union piece | Anschluß | Verbinding | Samling |
| Union piece | Gleichseitiges verbindungsstück | Gelijke verbinding | Lige samling |
| Valve | Hahn | Afsluiter | Hane |
| Variable speed unit | Verstelleinrichtung | Toerentalregelaar | Variator |
| Washer | Unterlegscheibe | Ring | Skive |
| Wheel | Rad | Wiel | Hjul |
| Wheels | Rad | Wiel | Hjul |
| | | | |
| | | | |
| | | | |
| | | | |

| English | Español | Italiano | Português |
|----------------------------------|------------------------------------|---|-----------------------------------|
| « 220 V socket » label | Etiqueta "Toma 220V" | Etichetta "Presa 220 V" | Etiqueta "Tomada 220V" |
| « Anchoring hook » label | Etiqueta "Gancho anclaje" | Etichetta "Gancio ancoraggio" | Etiqueta "Gancho de fixação" |
| « Battery charge » label | Etiqueta "Carga batería" | Etichetta "Carica batteria" | Etiqueta "Carga bateria" |
| « Battery servicing » label | Etiqueta "Mantenimiento Batería" | Etichetta "Manutenzione batteria" | Etiqueta "Manutenção bate |
| « Bottom panel » label | Etiqueta "Pupitre bajo" | Etichetta "Quadro (di comando) basso" | Etiqueta "Painel baixo" |
| « Brake release » label | Etiqueta "Desfrenado" | Etichetta "Sfrenatura" | Etiqueta "Destravagem" |
| « Direction of travel » label | Etiqueta "Sentido translación" | Etichetta "Senso traslazione" | Etiqueta "Sentido translação" |
| « Do not park » park | Etiqueta "No aparcar" | Etichetta "Non sostare" | Etiqueta "Não estacionar" |
| « Electrocutation » label | Etiqueta "Electrocución" | Etichetta "Elettrocuzione" | Etiqueta "Electrocussão" |
| « Floor height... » label | Etiqueta "Altura piso..." | Etichetta "Altezza pavimento..." | Etiqueta "Altura piso..." |
| « Gantry panel » label | Etiqueta "Pupitre góndola" | Etichetta "Quadro (di comando) navicella" | Etiqueta "Painel cesta" |
| « Hand crushing » label | Etiqueta "Aplastamiento mano" | Etichetta "Schiacciamento mani" | Etiqueta "Esmagamento mão" |
| « HAULOTTE » label | Etiqueta "HAULOTTE" | Etichetta "HAULOTTE" | Etiqueta "HAULOTTE" |
| « Hydraulic oil » label | Etiqueta "Aceite hidráulico" | Etichetta "Olio idraulico" | Etiqueta "Óleo Hidráulico" |
| « Lock spool » label | Etiqueta "Bloqueo distribuidor..." | Etichetta "Chiusura cassetto..." | Etiqueta "Bloqueio gaveta..." |
| « Operating instructions » label | Etiqueta "Consignas utilización" | Etichetta "Istruzioni per l'utilizzo" | Etiqueta "Instru |
| « Read manual » label | Etiqueta "Leer manual" | Etichetta "Leggere il manuale" | Etiqueta "Ler manual" |
| « Stop lowering » label | Etiqueta "Parada bajada" | Etichetta "Arresto discesa" | Etiqueta "Paragem descida" |
| « Tilt » label | Etiqueta "Inclinación" | Etichetta "Inclinazione" | Etiqueta "Inclinação transversal" |
| « Truck fork » label | Etiqueta "Horquilla carro" | Etichetta "Forca carrello" | Etiqueta "Garfo carrinho" |
| « Wearing of clothes » label | Etiqueta "Llevar puesta prenda..." | Etichetta "Porto di indumento..." | Etiqueta "Uso de roupa..." |
| « Welding earth » label | Etiqueta "Masa soldadura" | Etichetta "Massa saldatura" | Etiqueta "Massa soldadura" |
| « feet crushing » label | Etiqueta "Aplastamiento pies" | Etichetta "Schiacciamento piedi" | Etiqueta "Esmagamento pés" |
| adaptor | Adaptador | Adattatore | Adaptador |
| Adjustable bend | Codo orientable | Gomito orientabile | Joelho orientável |
| Anti-tipping over device | Dispositivo anti-vuelco | Dispositivo antiribaltamento | Dispositivo anti-basculamento |
| Australia | Australia | Australia | Austrália |

| English | Español | Italiano | Português |
|-------------------------|------------------------|------------------------|------------------------|
| Auxiliary contact | Contacto auxiliar | Contatto ausiliare | Contacto auxiliar |
| Axe | Eje | Asse | Eixo |
| Ball | Bola | Palla | Esfera |
| Base | Asiento | Collare | Colar |
| Base | Zócalo | Zoccolo | Base |
| Battery box | Caja baterías | Cassa batterie | Caixa de bateria |
| Battery charger | Cargador de batería | Caricatore de batteria | Carregador de bateria |
| Battery cut-off | Cortador de batería | Spaccato batteria | Interruptor de bateria |
| Battery strap | Correa batería | Cinghia batteria | Correia bateria |
| Bearing plate | Placa de apoyo | Piastra di appoggio | Placa de apoio |
| Bend | Codo | Gomito | Joelho |
| Bottom part | Parte baja | Parte bassa | Parte baixa |
| Bottom part box | Caja parte baja | Armadietto parte bassa | Caixa parte baixa |
| Box | Caja | Scatola | Caixa |
| Brace | Distanciador | Distanziatore | Espaçador |
| Braid (not felt) | Cinta sin fieltro | Gallone non feltro | Trança não feltrada |
| Brake | Freno | Freno | Travão |
| Bundle | Haz | Fascio | Feixe |
| Buzzer | Avisador | Avvisatore | Buzina |
| Cable | Cable | Cavo | Cabo |
| Cable clip | Abrazadera de fijación | Collare di fissaggio | Braçadeira de fixação |
| Cables | Cableado | Cablaggio | Cablagem |
| Caliper | Estribo | Staffa | Grampo |
| Cam | Leva | Camme | Came |
| Central hydraulic plant | Central hidráulica | Centrale idraulica | Central hidráulica |
| Chock | Calce | Spessore | Calço |
| Circlips | Circlips | Circlips | Freio de retenção |
| Collar | Anillo | Anello | Casquilho |
| Collar | Collar | Collare | Braçadeira |

| English | Español | Italiano | Português |
|--------------------|--------------------------|----------------------------|---------------------------|
| Complete body | Cuerpo completo | Corpo completo | Corpo completo |
| Crimp | Terminale | Teste | Terminal |
| Cut-off | Corte | Interruzione | Corte |
| Cutter unit | Conjunto tijeras | Insieme forbici | Conjunto tesouras |
| Cylinder | Gato | Martinetto | Cilindro |
| Cylinder axis | Eje de gato | Asse di martinetto | Eixo de cilindro |
| Denmark | Dinamarca | Danimarca | Dinamarca |
| Diode | Diodo | Diodo | Díodo |
| Direction cylinder | Gato de dirección | Martinetto di direzione | Cilindro de direcção |
| Direction lever | Palanca de dirección | Leva di direzione | Alavanca de direcção |
| Direction pivot | Pivote de dirección | Perno di direzione | Cavilhão de direcção |
| Distribution block | Bloque de distribución | Blocco di distribuzione | Bloco de distribuição |
| Document box | Caja de documentos | Scatola documenti | Caixa de documentos |
| Duct | Conducto | Rivestimento | Manga |
| Electric diagram | Esquema electrico | Schema elettrico | Esquema eléctrico |
| Electricity | Electricidad | Elettricità' | Electricidade |
| Emergency control | Mando de socorro | Comando di riserva | Comando de emergência |
| End fitting | Extremo | Elemento terminale | Ponteira |
| End of travel | Fin de carrera elevacion | Fine corsa sollevamento | Fim de curso levantamento |
| Equal T-piece | Te igual | Te uguale | Tê igual |
| Even bend | Codo igual | Gomito uguale | Joelho igual |
| Extension top bar | Barra superior extensión | Barra superiore estensione | Barra superior extensão |
| Exterior arm | Brazo exterior | Braccio esterno | Braço exterior |
| Exterior right arm | Brazo exterior derecho | Braccio esterno destro | Braço exterior direito |
| Finland | | | |
| Flange | Brida | Flangia | Flange |
| Flashing light | Luz de destellos | Fanale a bagliore | Luz intermitente |
| Flat washer | Arandela plana | Rondella piatta | Anilha plana |
| Flexible | Flexible | Flessibile | Tubo flexível |

| English | Español | Italiano | Português |
|-------------------------------|-----------------------------------|---------------------------------------|-----------------------|
| Flooring extension | Extensión suelo | Estensione piattaforma | Extensão piso |
| Frame cowling | Capotaje chasis | Capottatura telaio | Invólucro chassis |
| France | Francia | Francia | França |
| Fuse | Fusible | Fusibile | Fusível |
| Fuse holder | Portafusible | Portafusibile | Porta-fusível |
| Gantry cabinet | Caja góndola | Cofanetto navicella | Caixa cesta |
| Germany | Alemania | Germania | Alemanha |
| Grease point | Engrasador | Ingrassatore | Lubrificador |
| Guide bar | Barra de guía | Barra di guida | Barra de orientação |
| Holder | Soporte | Supporto | Suporte |
| hood | Capó | Coperchio | Capô |
| Hydraulic diagram | Esquema hidraulico | Schema idraulico | Esquema hidráulico |
| Hydraulic installation | Instalacion hidraulica | Impianto idraulico | Instalação hidráulica |
| Hydraulic motor | Motor hidráulico | Motore idraulico | Motor hidráulico |
| Hydraulic reservoir | Deposito hidraulico | Serbatoio idraulico | Depósito hidráulico |
| Hydraulics | Hidráulico | Idraulico | Hidráulica |
| Inclined output plug | Clavija salida inclinada | Spina ad uscita inclinata | Ficha saída inclinada |
| Indicator | Indicacor | Indicatore | Indicador |
| Interior arm | Brazo interior | Braccio interno | Braço interior |
| Italy | Italia | Italia | Italia |
| Jet fitting | Racor surtidor | Raccordo dosatore | União pulverizador |
| Knurled screw | Tornillo moleteado | Vite zigrinata | Parafuso estriado |
| Label | Etiqueta | Etichetta | Etiqueta |
| Lamp | Lámpara | Lampada | Lâmpada |
| Latch | Pestillo | Levetta di chiusura | Trinco |
| Left anti-tipping over device | Dispositivo anti-vuelco izquierdo | Dispositivo antiribaltamento sinistro | Dispositivo anti-b |
| Left hood | Capó izquierdo | Cofano sinistro | Capô esquerdo |
| Left pivot | Pivote izquierdo | Perno sinistra | Cavilhão esquerdo |
| Left tube | Tubo izquierdo | Tubo sinistro | Tubo esquerdo |

| English | Español | Italiano | Português |
|-----------------------------------|-------------------------------------|---------------------------------------|-----------------------------|
| lift cylinder | Gato elevación | Martinetto solle | Cilindro de elevação |
| Link rod | Bielita | Bielletta | Tirante |
| Lobe wheel | Volante lobulado | Volante a lobi | Volante com ressaltos |
| Lock | Husillo | Punzone | Pino |
| Lock nut | Contratuerca | Controdado | Contra-porca |
| Mains supply | Alimentación de red | Alimentazione rete di distribuzione | Alimentação corrente |
| Male union piece | Uniónmacho | Unione maschio | União macho |
| Manufacturer's name plate | Placa constructor | Targa costruttore | Placa construtor |
| Maulstick | Apoyamanos | Poggiamano | Apoio de mão |
| Motor guiding axle | Eje motodirector | Asse motore-sterzante | Eixo motorizado de direcção |
| Mushroom-headed button | Botón interruptor de bola | Pulsante a fungo | Botão de emergência |
| Netherlands | Holanda | Olanda | Holanda |
| Non-slip adhesive tape | Adhesivo antideslizante | Adesivo antiscivolo | Adesivo anti-derrapante |
| Nut | Tuerca | Dado | Porca |
| Oil filter | Filtro de aceite | Filtro olio | Filtro de óleo |
| Operator's manual | Manual de operación y mantenimiento | Manuale de guida e manutenzione | Manual CE |
| O-ring | Junta tórica | Giunto torico | Junta tórica |
| Packing box | Prensaestopas | Premistoppa | Empanque |
| Pedal | Pedal | Pedale | Pedal |
| Pin | Pasador | Bietta | Cavilha |
| Plate | Chapa | Lamiera | Chapa |
| Platform | Plataforma | Piattaforma | Plataforma |
| Platform top bar | Barra superior plataforma | Barra superiore piattaforma | Barra superior plataforma |
| Platform with foldable guard rail | Plataforma con antepechos abatible | Piattaforma con ringhiera abbassabile | Plataforma c |
| Plug | Clavija | Spina | Ficha |
| Plug socket | Toma | Presca | Tomada |
| Portugal | | | |
| Position switch | Interruptor de posición | Interruttore di posizione | Interruptor de posição |

| English | Español | Italiano | Português |
|--------------------------------|---------------------------------|-------------------------------------|----------------------------------|
| Positioning washer | Arandela de posicionamiento | Rondella di posizionamento | Anilha de posicionamento |
| Printed circuit | Circuito impreso | Circuito stampato | Circuito impresso |
| Prise minimess | Toma minimess | Presa minimess | Tomada Minimess |
| Protection | Antepechos | Ringhiera | Parapeito |
| Protective plate | Placa de protección | Piastra di protezione | Placa de protecção |
| Pump motor unit | Grupo motobomba | Gruppo motopompa | Grupo moto-bomba |
| Rear axle | Eje trasero | Asse posteriore | Eixo traseiro |
| Reducer | Reductor | Riduttore | Redutor |
| Reducer packing box | Prensaestopas reductor | Premistoppa riduttore | Empanque redutor |
| Reduction | Reducción | Riduzione | Redução |
| Remote control | Mando a distancia | Comando a distanza | Comando remoto |
| Retaining bracket | Pate de fijación | Braccio di fissaggio | Patilha de fixação |
| Right anti-tipping over device | Dispositivo anti-vuelco derecho | Dispositivo antiribaltamento destro | Dispositivo anti-basc |
| Right hood | Capó derecho | Cofano destro | Capô direito |
| Right tube | Tubo derecho | Tubo destro | Tubo direito |
| Rivet | Remache | Chiodo | Rebite |
| Roller | Rodillo | Rullo | Rolete |
| Rolling frame | Chasis rodante | Telaio scorrevole | Chassis rolante |
| Rotary knob | Botón giratorio | Manopola girevole | Botão rotativo |
| Rotating even bend | Codo igual giratorio | Gomito regolare girevole | Joelho igual rotativo |
| Rubber ring | Anillo elástico | Anello elastico | Anilha de freio |
| Rubber washer | Arandela elástica | Rondella elastica | Anilha elástica |
| Safety support | Escuadra de seguridad | Squadra di sicurezza | Esquadro de segurança |
| Screw | Tornillo | Vite | Parafuso |
| Seal | Obturador | Otturatore | Obturador |
| Serial board | Tarjeta Serial | Carta Serial | Carta Serial |
| Single-axis controller | Manipulador 1 eje | Manipolatore 1 asse | Manipulador 1 eixo |
| Single-pole toggle switch | Interruptor unipolar de palanca | Interruttore unipolare a leva | Interruptor unipolar de alavanca |
| Skate | Patín | Pattino | Patim |

| English | Español | Italiano | Português |
|-----------------------|-------------------------|----------------------------|------------------------------------|
| Small chain | Cadenita | Catenella | Pequena corrente |
| Smooth male slot | Horquilla macho lisa | Forcella maschio liscia | Forquilha macho lisa |
| Socket | Casquillo | Manicotti | Casquilho |
| Solenoid valve | Electroválvula | Elettrovalvola | Electroválvula |
| Spacer | Calce grosor | Zeppa spessore | Calço espessura |
| Spain | España | Spagna | Espanha |
| Spare parts catalogue | Catálogo PR | Catalogo PR | Catálogo peças sobresselentes |
| Spotlight | Proyector | Proiettore | Farol |
| Spring | Resorte | Molla | Mola |
| Step | Peldaño | Pedana | Degrau |
| Stop | Tope | Arresto | Batente |
| Support | Patin | Maniglia | Suporte |
| Switch | Interruptor | Interruttore | Interruptor |
| Tilt detector | Detector de inclinación | Rivelatore di inclinazione | Detector de inclinação transversal |
| Tooth lock washer | Arandela de dientes | Rondella a dente | Anilha de dentes |
| Traction battery | Batería de tracción | Batteria di trazione | Bateria de tracção |
| Trunking | Conducto | Bocchettone | Calha |
| UK | Inglaterra | Inghilterra | Inglaterra |
| Union piece | Unión igual | Unione uguale | União em Tê |
| Union piece | Unión | Unione | União |
| Valve | Grifo | Rubinetto | Torneira |
| Variable speed unit | Variador | Variatore | Variador |
| Washer | Arandela | Rondella | Anilha |
| Wheel | Rueda | Ruota | Roda |
| Wheels | Ruedas | Ruotas | Rodas |
| | | | |
| | | | |
| | | | |
| | | | |

| English | Svenska | Suomi | |
|----------------------------------|--|---|--|
| « 220 V socket » label | Etikett "220V uttag" | Etiketti "Pistoke 220V" | |
| « Anchoring hook » label | Etikett "Förankringskrok" | Etiketti "Kiinnityshaka" | |
| « Battery charge » label | Etikett "Batteriladdning" | Etiketti "Pariston lataus" | |
| « Battery servicing » label | Etikett "Underhåll av batteriet" | Etiketti "Pariston huolto" | |
| « Bottom panel » label | Etikett "Manöverpanel nere" | Etiketti "Alakonsoli" | |
| « Brake release » label | Etikett "Avbromsning" | Etiketti "Jarrutus" | |
| « Direction of travel » label | Etikett "Körriktning" | Etiketti "Kuljetuksen suunta" | |
| « Do not park » park | Etikett "Parkering förbjuden" | Etiketti "Älä pysäköi" | |
| « Electrocutation » label | Etikett "Elstöt" | Etiketti "Sähköiskuvaara" | |
| « Floor height... » label | Etikett "Golvhöjd... " | Etiketti "Pohjan korkeus..." | |
| « Gantry panel » label | Etikett "Manöverpanel i plattformen" | Etiketti "Moottorikehilön konsoli" | |
| « Hand crushing » label | Etikett "Sönderklämning av hand" | Etiketti "Käsi voi jäädä puristuksiin" | |
| « HAULOTTE » label | Etikett "HAULOTTE" | Etiketti "HAULOTTE" | |
| « Hydraulic oil » label | Etikett "Hydraulolja" | Etiketti "hydrauliikkaöljy" | |
| « Lock spool » label | Etikett "Låsning av låda... " | Etiketti "Laatikon lukitus..." | |
| « Operating instructions » label | Etikett "Instruktioner för användning" | Etiketti "Käyttöohjeet" | |
| « Read manual » label | Etikett "Läs handboken" | Etiketti "Lue ohjekirja" | |
| « Stop lowering » label | Etikett "Stopp av nedsänkning" | Etiketti "Laskun pysäytys" | |
| « Tilt » label | Etikett "Lutning" | Etiketti "Kaltevuus" | |
| « Truck fork » label | Etikett "Truckgaffel" | Etiketti "Haarukkakuljetin" | |
| « Wearing of clothes » label | Etikett "Användning av kläder ... " | Etiketti "Asusteiden käyttö..." | |
| « Welding earth » label | Etikett "Svetsningsjord" | Etiketti "Maadoitus (hitsaus)" | |
| «feet crushing » label | Etikett "Sönderklämning av fötter" | Etiketti "Jalka voi jäädä puristuksiin" | |
| adaptor | Adapter | Adapteri | |
| Adjustable bend | Inställbart knärör | Kääntyvä taive | |
| Anti-tipping over device | Fördjupning | Pothole | |
| Australia | Australien | Australia | |

| English | Svenska | Suomi | |
|-------------------------|-----------------------|-------------------------|--|
| Auxiliary contact | Hjälpkontakt | Lisäkosketin | |
| Axe | Axel | Akseli | |
| Ball | Kula | Pallo | |
| Base | Socket | Kehys | |
| Base | Socket | Pistorasia | |
| Battery box | Batterilåda | Paristokotelo | |
| Battery charger | Batteriladdare | Pariston lataaja | |
| Battery cut-off | Batteribrytare | Pariston virrankatkaisu | |
| Battery strap | Batterirem | Paristohihna | |
| Bearing plate | Stödplatta | Tukilaatta | |
| Bend | Knärör | Taive | |
| Bottom part | Nedre del | Alaosa | |
| Bottom part box | Låda för nedre delen | Kotelo Alaosa | |
| Box | Låda | Asia | |
| Brace | Mellanlägg | Välituki | |
| Braid (not felt) | Kantband utan filttyg | Huovittamaton reunus | |
| Brake | Broms | Jarrut | |
| Bundle | Kabelhärva | Keila | |
| Buzzer | Signalhorn | Merkinantolaitte | |
| Cable | Kabel | Vaijeri | |
| Cable clip | Fastsättningsklämman | Letkunkiinnitin | |
| Cables | Kabelföring | Kytkentä | |
| Caliper | Bygel | Haka | |
| Cam | Kam | Nostovarsi | |
| Central hydraulic plant | Hydrulbehållare | Hydrauliikkakeskus | |
| Chock | Kil | Kiila | |
| Circlips | Fjädersring | Lukkorengas | |
| Collar | Klamman | Kiinnitin | |
| Collar | Ring | Rengas | |

| English | Svenska | Suomi | |
|--------------------|------------------------|-------------------------|--|
| Complete body | Hel huvuddel | Koko runko | |
| Crimp | Kabelskor | Liitin | |
| Cut-off | Avstängning | Virrankatkaisu | |
| Cutter unit | Saxenhet | Leikkurit | |
| Cylinder | Domkraft | Sylinteri | |
| Cylinder axis | Domkraftsaxel | Sylinteriakseli | |
| Denmark | Danmark | Tanska | |
| Diode | Diod | Diodi | |
| Direction cylinder | Styrningsdomkraft | Ohjaussylinteri | |
| Direction lever | Pitmanarm | Ohjausvipu | |
| Direction pivot | Styrbult | Ohjaustappi | |
| Distribution block | Fördelningsenhet | Jakelulohko | |
| Document box | Dokumenthållare | Asiakirjalaatikko | |
| Duct | Kanal | Vaippa | |
| Electric diagram | Kopplingschema | Sähkökaavio | |
| Electricity | Elektricitet | Sähkö | |
| Emergency control | Hjälpreglage | Hätäohjaus | |
| End fitting | Ändstycke | Istukka | |
| End of travel | Lyftningsgränsläge | Noston lopetus | |
| Equal T-piece | Jämn T-koppling | Samanarvoinen T-kappale | |
| Even bend | Jämnt knärör | Samantasoinen taive | |
| Extension top bar | Övre förlängningsstång | Yläjatkotanko | |
| Exterior arm | Ytterarm | Ulkopuomi | |
| Exterior right arm | Höger ytterarm | Oikea ulkopuomi | |
| Finland | | | |
| Flange | Fläns | Pidike | |
| Flashing light | Blinkljus | Vilkkuvalo | |
| Flat washer | Flat bricka | Litteä laatta | |
| Flexible | Slang | Letku | |

| English | Svenska | Suomi | |
|-------------------------------|---------------------------------|----------------------|--|
| Flooring extension | Golvutvidgning | Kannen jatkos | |
| Frame cowling | Huv för chassi | Rungon suojakotelo | |
| France | Frankrike | Ranska | |
| Fuse | Säkring | Sulake | |
| Fuse holder | Säkringshållare | Sulakkeen pidike | |
| Gantry cabinet | Kopplingsdosa för plattform | Kehilökotelo | |
| Germany | Tyskland | Saksa | |
| Grease point | Smörjnippel | Voitelija | |
| Guide bar | Styrstag | Ohjaustanko | |
| Holder | Fäste | Tuki | |
| hood | Huv | Kansi | |
| Hydraulic diagram | Hydrauliskt schema | Hydrauliikkakaavio | |
| Hydraulic installation | Hydraulisk installation | Hydrauliikka-asennus | |
| Hydraulic motor | Hydraulisk motor | Hydraulinen moottori | |
| Hydraulic reservoir | Hydraulbehållare | Hydraulinen säiliö | |
| Hydraulics | Hydraulisk | Hydrauliikka | |
| Inclined output plug | Stickkontakt med lutande utgång | Vino ulostulopistoke | |
| Indicator | Indikator | Osoitin | |
| Interior arm | Innerarm | Alapuomi | |
| Italy | Italien | Italia | |
| Jet fitting | Anslutning för munstycke | Suutinkappale | |
| Knurled screw | Räfflad skruv | Pykäläruuvi | |
| Label | Etikett | Etiketti | |
| Lamp | Lampa | Lamppu | |
| Latch | Tät | Salpa | |
| Left anti-tipping over device | Vänster fördjupning | Vasen pothole | |
| Left hood | Huv vänster | Vasen kansi | |
| Left pivot | Vänster spindelhus | Vasen tappi | |
| Left tube | Vänster rör | Vasen putki | |

| English | Svenska | Suomi | |
|-----------------------------------|---------------------------------|--|--|
| lift cylinder | Domkraft för lyftning | Nostosylinteri | |
| Link rod | Stag | Tanko | |
| Lobe wheel | Svånghjul med flikar | Keiloilla varustettu pyörä | |
| Lock | Spindel | Kara | |
| Lock nut | Låsmutter | Lukitusmutteri | |
| Mains supply | Nätförsörjning | Sektorin syöttö | |
| Male union piece | Anslutning av hantyp | Urosliitos | |
| Manufacturer's name plate | Tillverkarskylt | Rakennuslaatta | |
| Maulstick | Handstöd | Käsinoja | |
| Motor guiding axle | Driv- och styraxel | Vetoakseli | |
| Mushroom-headed button | Handtryckknapp | Hätäpainike | |
| Netherlands | Holland | Hollanti | |
| Non-slip adhesive tape | Slirfri tejp | Liukuestetarra | |
| Nut | Mutter | Mutteri | |
| Oil filter | Oljefilter | Öljynsuodatin | |
| Operator's manual | EG-manual | Käsikirja CE | |
| O-ring | O-ring | O-rengastiiviste | |
| Packing box | Packbox | Hidastin | |
| Pedal | Pedal | Poljin | |
| Pin | Sprint | Sokka | |
| Plate | Plåt | Pelti | |
| Platform | Plattform | Alusta | |
| Platform top bar | Övre stång på plattform | Alustan ylätanko | |
| Platform with foldable guard rail | Plattform med nedfällbart räcke | Alasvedettävällä kaiteella varustettu alusta | |
| Plug | Stickkontakt | Pistoke | |
| Plug socket | Uttag | Otto | |
| Portugal | | | |
| Position switch | Lägesbrytare | Asemointikytkin | |
| Positioning washer | Placeringsbricka | Asemointilaatta | |

| English | Svenska | Suomi | |
|--------------------------------|------------------------------------|--|--|
| Printed circuit | Tryckt krets | Painopiiri | |
| Prise minimess | Minimess-uttag | Minimess-otto | |
| Protection | Räcke | Suojakaide | |
| Protective plate | Skyddsplåt | Suojalaatta | |
| Pump motor unit | Motorpumpsaggregat | Moottoripumppukoneisto | |
| Rear axle | Bakaxel | Taka-akseli | |
| Reducer | Reducerväxel | Hidastin | |
| Reducer packing box | Reducerande packbox | Holkkitiivisteen hidastin | |
| Reduction | Reducering | Hidastin | |
| Remote control | Fjärrstyrning | Kauko-ohjaus | |
| Retaining bracket | Fästkrampa | Kiinnityshaka | |
| Right anti-tipping over device | Höger fördjupning | Oikea pothole | |
| Right hood | Huv höger | Oikea kansi | |
| Right tube | Höger rör | Oikea putki | |
| Rivet | Nit | Niitti | |
| Roller | Rulle | Tela | |
| Rolling frame | Rullchassi | Pyörivä runko | |
| Rotary knob | Vridknapp | Kiertonappi | |
| Rotating even bend | Jämmt vridknärör | Pyörivä samantasoinen taive | |
| Rubber ring | Kluven konisk bussning | Joustorengas | |
| Rubber washer | Fjäderbricka | Joustolaatta | |
| Safety support | Säkerhetskörnjärn | Turvakiinnitys | |
| Screw | Skruv | Ruuvi | |
| Seal | Täckplåt | Suljin | |
| Serial board | Seriekort | Sarjakortti | |
| Single-axis controller | Manipulator 1 axel | Kytkin 1 akseli | |
| Single-pole toggle switch | Interrupteur unipolaire à med spak | Vivulla varustettu yksinapainen kytkin | |
| Skate | Glidyta | Luistin | |
| Small chain | Liten kedja | Pieni ketju | |

| English | Svenska | Suomi | |
|-----------------------|--------------------|----------------------|--|
| Smooth male slot | Slät ytterkåpa | Sileä urossuojus | |
| Socket | Hylsa | Holkki | |
| Solenoid valve | Magnetventil | Sähköventtiili | |
| Spacer | Avståndsbricka | Paksuuskiila | |
| Spain | Spanien | Espanja | |
| Spare parts catalogue | Reservdelskatalog | Luettelo PR | |
| Spotlight | Strålkastare | Kuvanheitin | |
| Spring | Fjäder | Ujousi | |
| Step | Fotsteg | Astinlauta | |
| Stop | Anslag | Rajoitin | |
| Support | Stötta | Tuki | |
| Switch | Strömbrytare | Kytkin | |
| Tilt detector | Lutningsdetektor | Kaltevuusanturi | |
| Tooth lock washer | Tandad låsbricka | Hammasmaatta | |
| Traction battery | Drivbatteri | Vetoparisto | |
| Trunking | Rör | Kouru | |
| UK | England | Englanti | |
| Union piece | Förbindning | Liitos | |
| Union piece | Stabil förbindning | Samanarvoinen liitos | |
| Valve | Kran | Hana | |
| Variable speed unit | Variator | Variaattori | |
| Washer | Bricka | Laatta | |
| Wheel | Hjul | Pyörä | |
| Wheels | Hjul | Pyörät | |
| | | | |
| | | | |
| | | | |
| | | | |